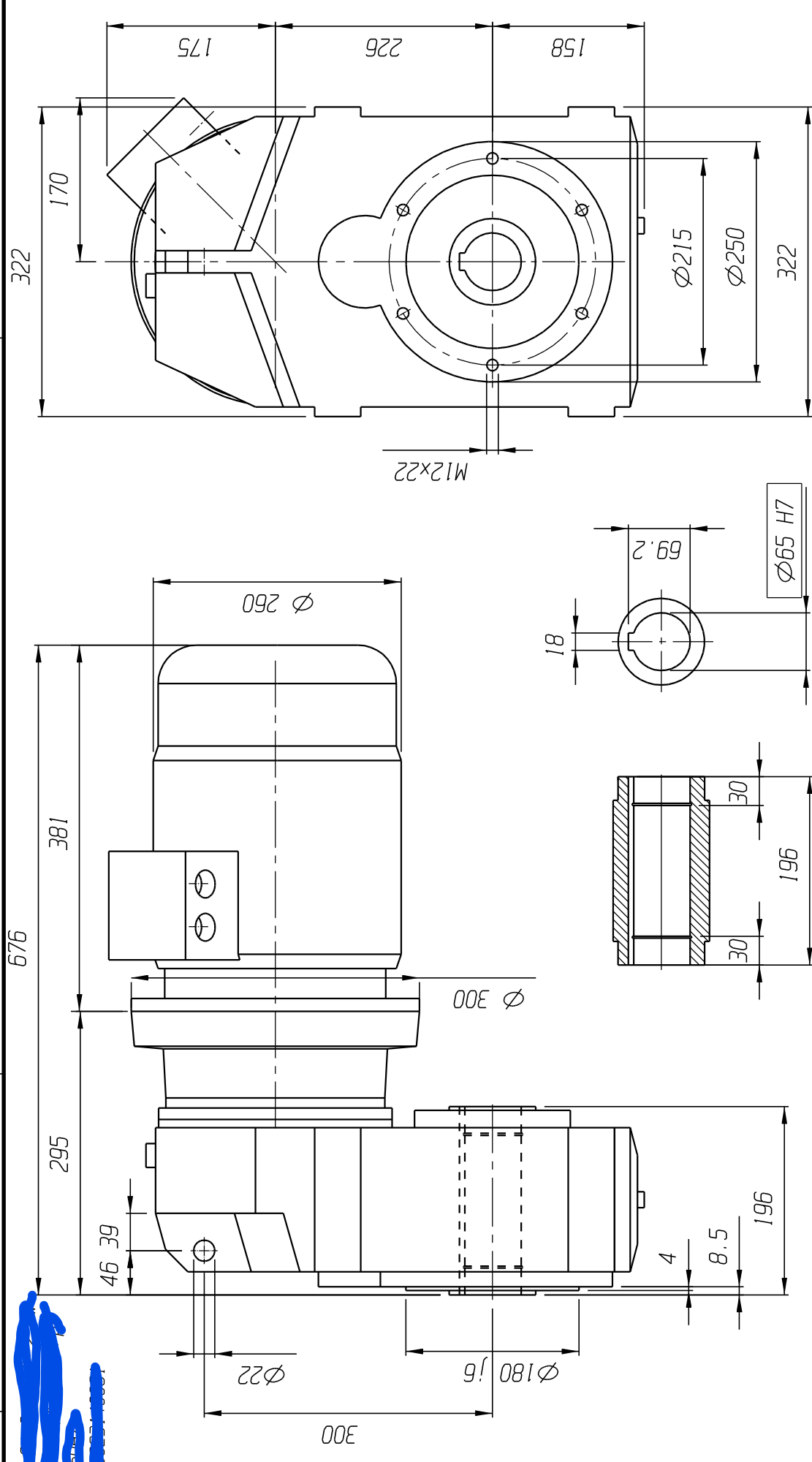


Tipo - Type -

PEK5-M2A132 S4/8 forma PB3/1  
Albero spec. Ø 65 mm

Peso - Weight - Gewicht  
Masse - - Kg



|   |                                       |                                       |                 |
|---|---------------------------------------|---------------------------------------|-----------------|
| Approvazione - approval - approvato : <u>G. Milanesio</u> | Data - Date - Datum : <u>01/07/15</u> | Disegno - Drawing - Zeichnung : _____ | Rev. : <u>0</u> |
| Controllo - check - controllo : <u>G. Milanesio</u>       | Data - Date - Datum : <u>01/07/15</u> | Plan - Dibujo - _____                 |                 |
| Emissione - emission - émis : <u>G. Milanesio</u>         | Data - Date - Datum : <u>01/07/15</u> |                                       |                 |
| Gezeichnet - emitido : _____                              |                                       |                                       |                 |