

# Model OMO (miniature)

## Specification

### Output Torque

8.0 lbf ins/0.9 Nm  
at 100 psi/7 bar

### Angle of Travel (adjustable)

80° - 100°  
(restricted travel  
versions available)

### Displaced Volume

0.15 in<sup>3</sup>/2.4 cm<sup>3</sup>

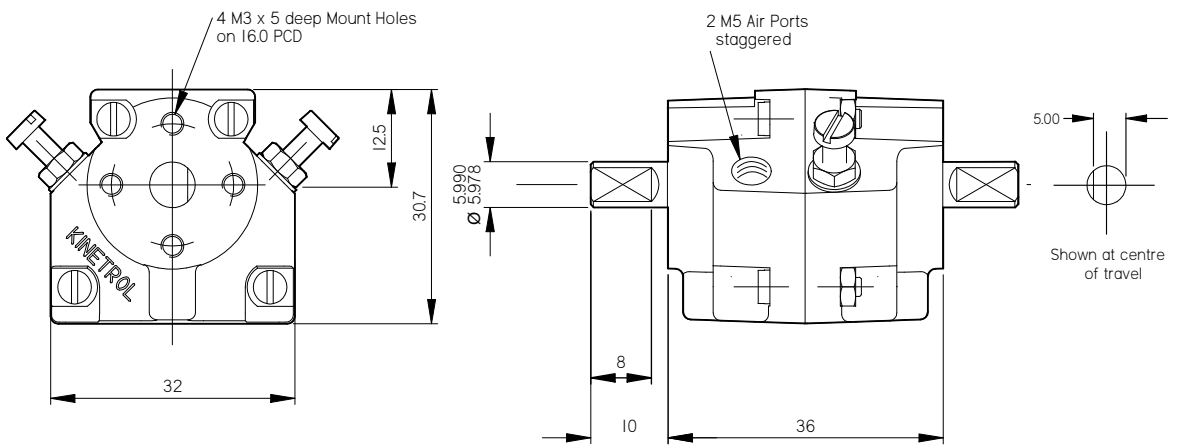
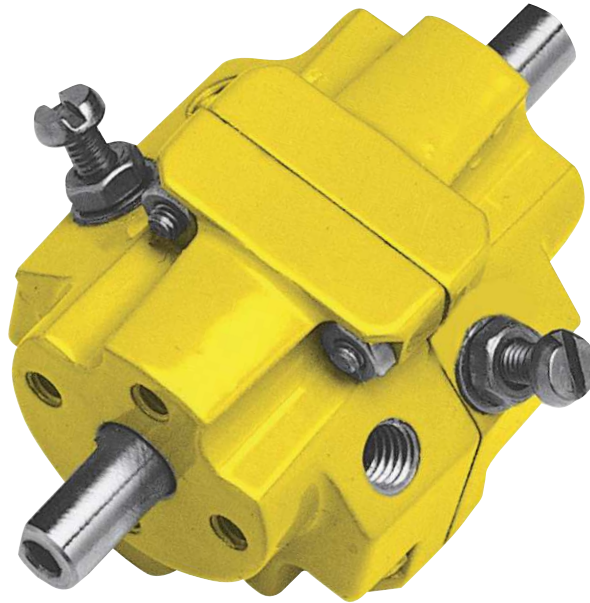
### Finish

Epoxy stove enamel

### Weight

0.26 lb/0.12 kg

For further information  
see General Specification  
on page 50.



## Options

- Code identification see page 53
- Torque outputs see pages 51/52
- English dimensions see page 44