

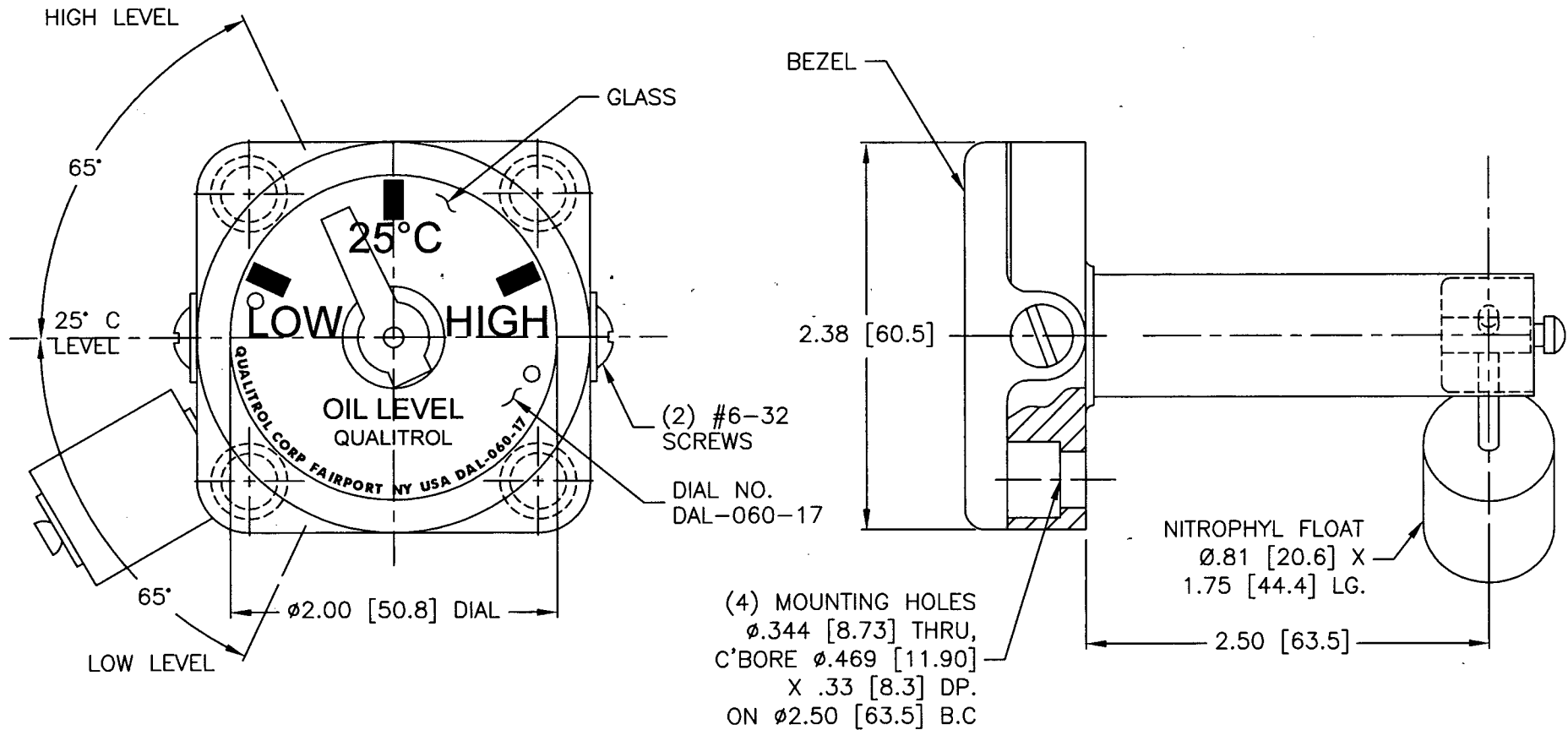
NOTICE
 THIS DRAWING IS THE PROPERTY OF QUALITROL COMPANY LLC AND IS LOANED ONLY ON THE CONDITION THAT IT WILL BE USED TO FACILITATE THE PURPOSE FOR WHICH INTENDED AND NOT BE REPRODUCED, COPIED OR OTHERWISE DISPOSED OF, AND IS NOT TO BE USED IN WHOLE OR PART FOR FURNISHING INFORMATION RELATIVE TO THE MAKING OF DRAWINGS, PARTS, APPARATUS OR PARTS THEREOF, EXCEPT BY WRITTEN ORDER FROM QUALITROL COMPANY LLC.

MODEL NO. 020-001-01

NOTES: (UNLESS OTHERWISE SPECIFIED)

1. DIMENSIONS ARE IN INCHES [MILLIMETERS].
2. CASE IS SEALED AGAINST DUST & MOISTURE.
3. FLOAT ROD MUST BE ASSEMBLED TO EXTEND FROM SHAFT ON SAME SIDE AS SPOTFACE.
4. CHARACTERS: BLACK
BACKGROUND: WHITE
5. POINTER COLOR: BLACK

TOTAL LENGTH OF FLOAT ROD = 5.81 [147.6]



-	10-4-10	REDRAWN IN CAD; ADDED [MM]; CONVERTED FRACTIONS TO DECIMALS	28544
C	10-16-89	REMOVED Q-TROL P/N'S	13732
B	3-13-87	DELETED PAINT NOTE @ BEZEL	12694
LET	DATE	ALTERATION	C.N.

QUALITROL

DIMENSIONS AND TOLERANCES IN ACCORDANCE WITH ASME Y14.5M-1994

PH. (585) 586-1515
 FAX (585) 377-0220

1385 FAIRPORT ROAD
 FAIRPORT, NY 14450

FORM 0-473 REV. F 04/06/06

TITLE: 2" LEVEL GAGE

MODEL NO. 020-001-01