



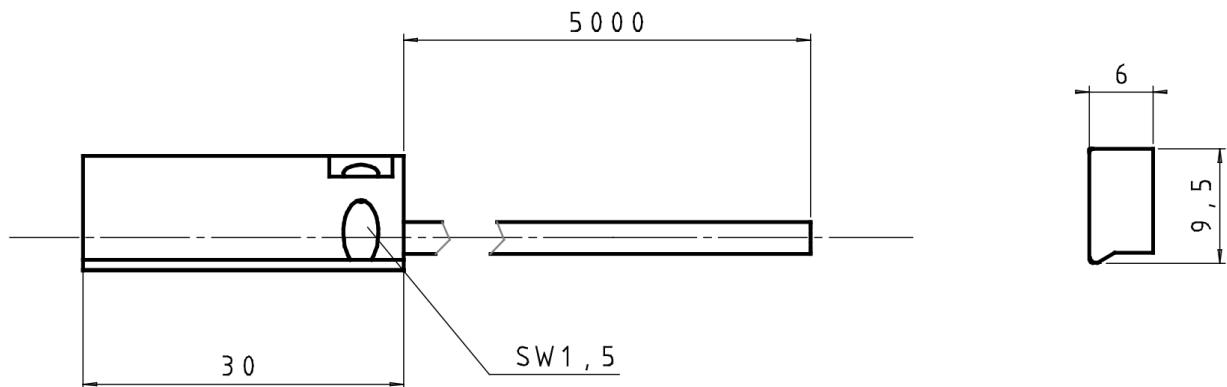
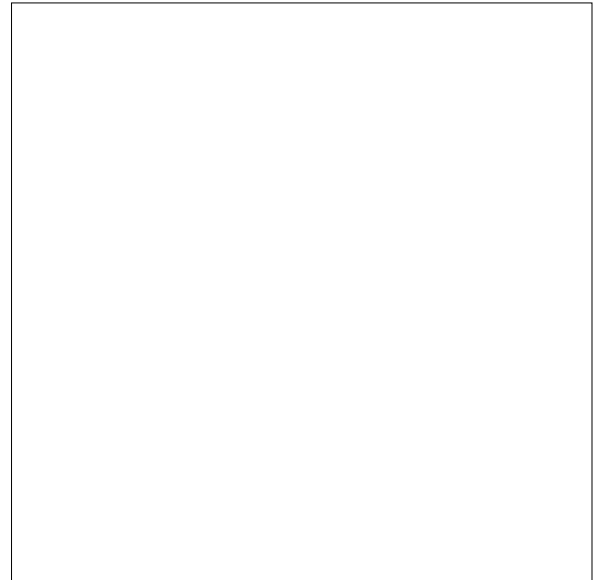
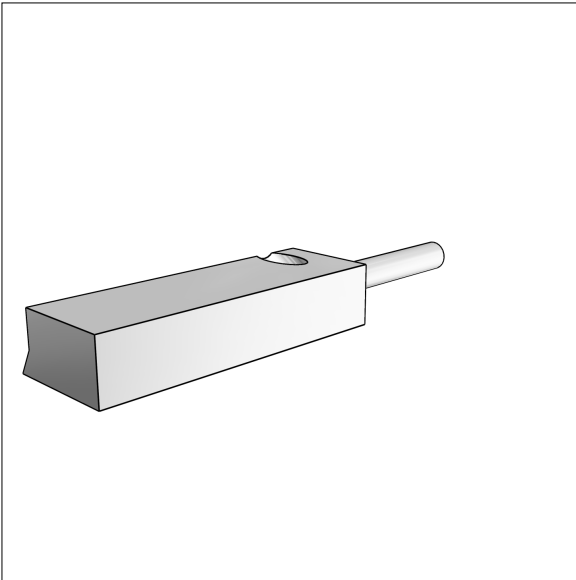
Magnetic switch
Magnetic switch ES/RS

PDF DATASHEET

© 1992-2016 CADENAS GmbH

Last Modification (geometry): 09/07/2014 13:49

Datasheet creation date: 29/01/2016 09:45





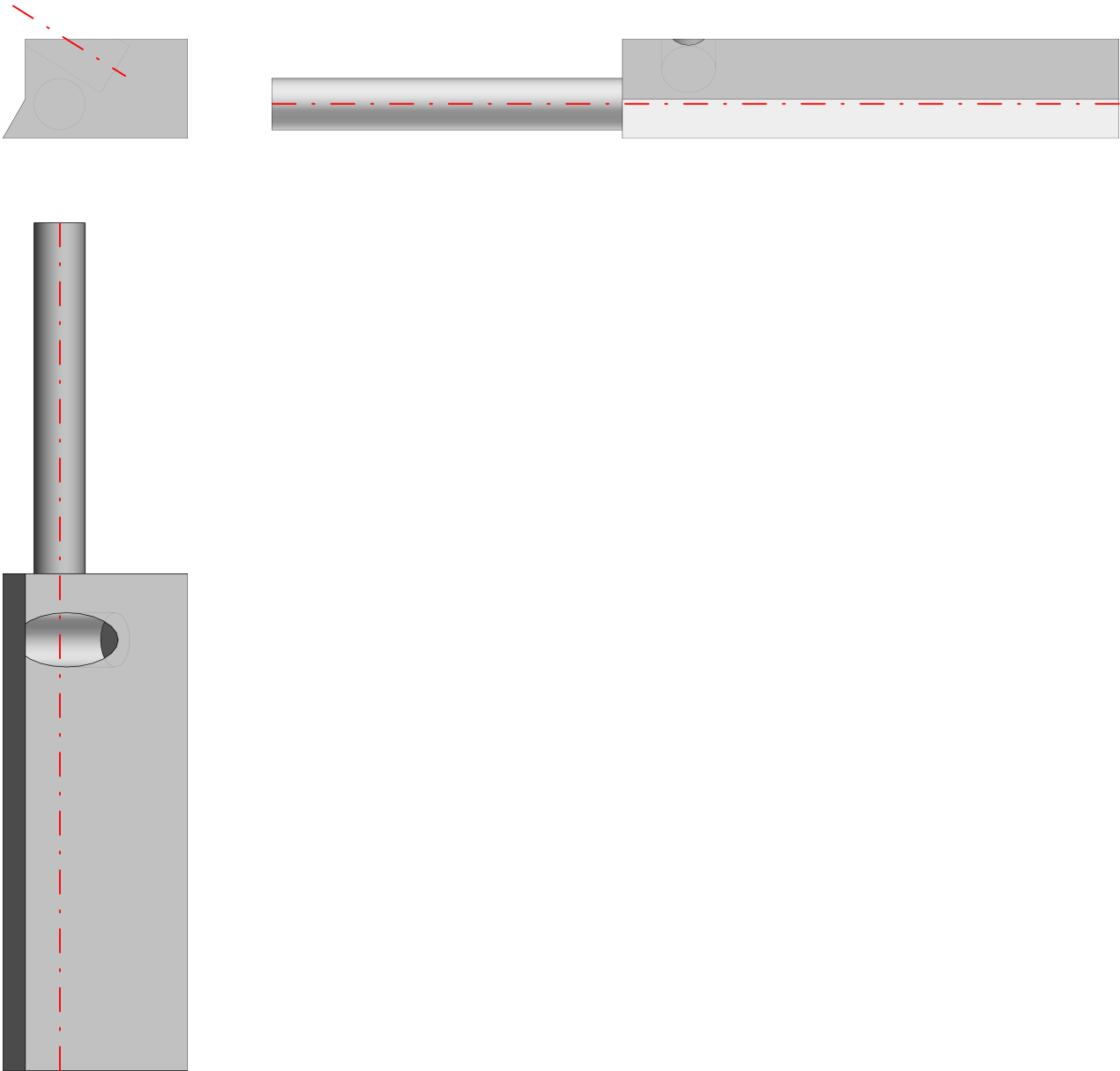
Magnetic switch
Magnetic switch ES/RS

PDF DATASHEET

© 1992-2016 CADENAS GmbH

Last Modification (geometry): 09/07/2014 13:49

Datasheet creation date: 29/01/2016 09:45





Magnetic switch
Magnetic switch ES/RS

PDF DATASHEET

© 1992-2016 CADENAS GmbH

Last Modification (geometry): 09/07/2014 13:49

Datasheet creation date: 29/01/2016 09:45

VERSION (Model to execute)	RS closer
TYPE (Type)	RS-K
IDNR (Order-No.)	P8S-GRFDX2



Bill of material

N°	Description	Amount
1.1	P8S-GRFDX2-RS-K_Signalgeber	1