

# Immersion thermostats with housing GTT



- Mechanical temperature controller
- For controlling heating and cooling processes
- Ideal for heat and process engineering
- Control directly at the process

**Application** Mechanical temperature controller and limiter. The device is suitable for application areas in the field of heat and process engineering. Heating and cooling processes in industrial or domestic applications can be controlled directly at the process.

**Description** The temperature measured at the probe causes a change in the volume of the measuring liquid. Electrical switching is triggered by the force acting. The thermowell allows for direct installation pressure-tight tanks.

## Technical specifications

**Type**  
GTT/TC2

**Operating range**  
0/90 °C

**Tolerance**  
±1 K at ambient temperature 20 °C

**Switching differential**  
 $\Delta T 4 \pm 1$  K

**Adjustment**  
GTT/7RG: Externally adjustable  
GTT/7HG: Internally adjustable

**Probe element**  
Liquid-filled  
ø 8 mm  
Length: 100, 150 or 200 mm

**Operating temperature range**  
Probe: Max. 130 °C  
Housing: Max. 85 °C

**Process pressure**  
Max. 4 bar

**Probe**  
Copper

**Housing**  
Plastic (PVC), grey (RAL 7035)

**Cable entry**  
Plastic (PVC), black  
M20 x 1.5

**Degree of protection housing**  
IP 40 (EN 60529)

**Time constant**  
DIN-tested  
DIN EN 14597:2012-09  
Registration number TR/STB 1211

**Electrical switching contact**  
Changeover contact

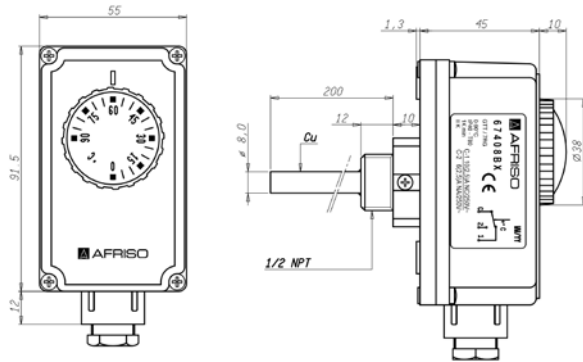
**Contact rating**  
NC 10 (2.5) A 250 V AC  
NO 6 (2.5) A 250 V AC

**Options** ▪ Customised versions

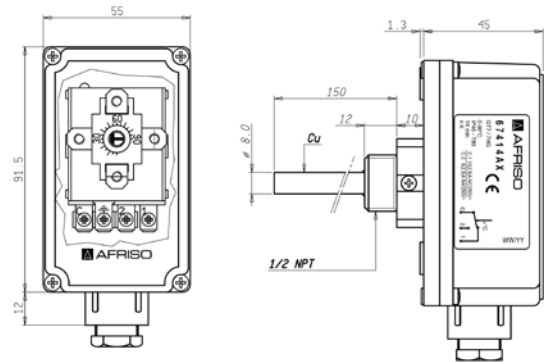
# Immersion thermostats with housing GTT

Housing types and dimensions (mm)

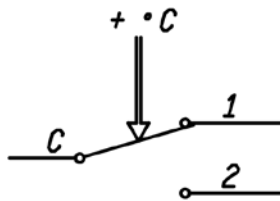
GTT/7RG, external adjustment



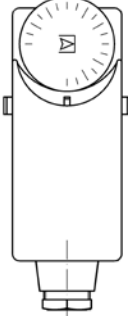
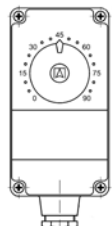
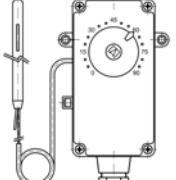
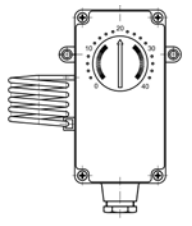
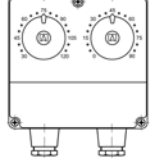
GTT/7HG, internal adjustment



Switching scheme



# Thermostats with housing

DG: G, PG: 4	Adjustment	Operating range/ switching point	Capillary length	Stem length	Type	Part no.	Price €
<b>Surface mounting thermostats with housing</b>							
	External	20/60 °C	---	---	GAT/7RC	<b>67400X</b>	
	External	20/90 °C	---	---	GAT/7RC	<b>67401X</b>	
	Internal	20/60 °C	---	---	GAT/7HC	<b>67402X</b>	
	Internal	20/90 °C	---	---	GAT/7HC	<b>67403X</b>	
<b>Immersion thermostats with housing</b>							
	External	0/90 °C	---	100 mm	GTT/7RG	<b>67407X</b>	
	External	70/210 °C	---	100 mm	GTT/7RG	<b>67708</b>	
	External	0/90 °C	---	150 mm	GTT/7RG	<b>67408AX</b>	
	External	0/90 °C	---	200 mm	GTT/7RG	<b>67408BX</b>	
	Internal	0/90 °C	---	100 mm	GTT/7HG	<b>67413X</b>	
	Internal	0/90 °C	---	150 mm	GTT/7HG	<b>67414AX</b>	
	Internal	0/90 °C	---	200 mm	GTT/7HG	<b>67414BX</b>	
<b>Capillary type thermostats with housing/room thermostats with housing</b>							
	External	0/90 °C	1,000 mm	---	GTK/7RD	<b>67421X</b>	
	External	0/90 °C	2,000 mm	---	GTK/7RD	<b>67424X</b>	
	External	0/40 °C	---	---	GRT/7RT	<b>67464X</b>	
	External	0/55 °C	---	---	GRT/7RT	<b>67465X</b>	
	Internal	0/40 °C	---	---	GRT/7HT	<b>67466X</b>	
	Internal	0/55 °C	---	---	GRT/7HT	<b>67467X</b>	
<b>Twin thermostats with housing</b>							
	Internal/ external	0/90 °C - 0/90 °C	---	100 mm	GDT/8HR	<b>67447X</b>	
	Fixed/external	0/90 °C (100 °C)	---	100 mm	GDT/8RS	<b>67453X</b>	
	Fixed/internal	0/60 °C- 30/120 °C	---	280 mm	GDT-TTCA	<b>67640</b>	
	Fixed/external	0/90 °C (100 °C)	---	150 mm	GDT/8RS	<b>67454AX</b>	
	Fixed/external	0/90 °C (100 °C)	---	200 mm	GDT/8RS	<b>67454BX</b>	

\* Minimum order quantity for non-stock items = 5 pieces.