

VersiDrive i E3S [0,37 – 1,1kW] 4.05

Features:

- small inverters for single-phase AC motors
- suitable for capacitor and shaded pole motor
- easy programming and connection
- 14 parameter for basic settings
- precise digital control via push of a button
- application macros (industrial, pumps and fan operation)
- PTC input
- adjustable fixed frequencies
- max. rotating field frequency 120Hz
- integrated braking chopper at 1,1kW
- degree of protection IP20
- integrated mains filter
- serial communication with Modbus RTU and CANopen



AC drive
VD i E3S [0,37 – 1,1kW]



Function:

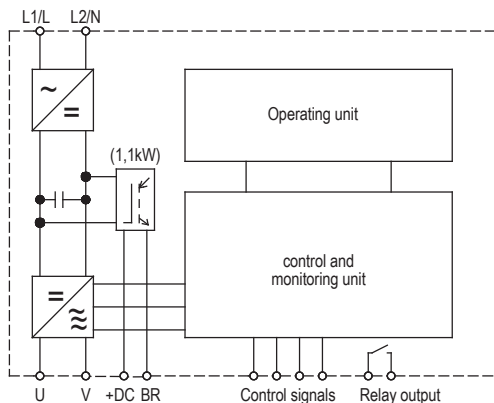
- control and setpoint entry via terminals, operating unit and Bus-systems
- PWM clock frequency 4 - 32kHz
- DC braking
- potential-free control and signalling contacts
- 150% overload for 60s
- detailed trouble check via parameter „o“
- integrated PI controller
- U/f characteristics control

Typical Application:

electric pumps, heat pumps, vacuum pumps
ventilators and fans, travelling cranes, extraction systems
compressors, stirrers, centrifuges, saws, conveyors
woodworking machines, grinding machines
textile machines, packaging machines
printing machines, other

Options : (please see accessories)

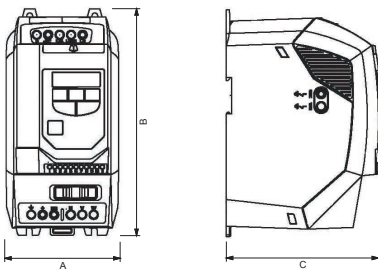
- memory stick with copying function
- remote control module (LED or OLED display)
- RJ45 cable and cable splitter
- braking resistors
- software for parameterization



Typical designatin	VD i ... /E3S		
	037	075	110
motor shaft power / kW	0,37	0,75	1,1
mains voltage according to DIN EN 50160 (IEC 38)	single-phase 200-240V, 48-62Hz		
output current / A	4,3	7	10,5
order number 2l305, ...	23037	23075	23110
recommended mains filter	27012.24016		27012.24030

Technical data	VD i ... /E3S		
	037	075	110
motor shaft power / kW	0,37	0,75	1,1
mains voltage according to DIN EN 50160 (IEC 38)	single-phase 200-240V, 48-62Hz		
output current / A	4,3	7	10,5
control functions			
frequency setting range	0 – 120Hz		
torque boost	U/f characteristics, energy optimized U/f control		
ramp-up and ramp-down time	0 ... 600s		
frequency setpoint	potentiometer >= 1kΩ, analogue signals, keypad, fixed frequencies, motor potentiometer, Modbus RTU, CANopen		
ambient / storage temperature	-10 ... 50°C, -40 ... 60°C		
design size	1	2	
weight / kg	1,1	2,6	

Dimensions:



size	A	B	C
1	82	173	123
2	109	221	150

All dimensions indicated in mm

Connection Diagram:

