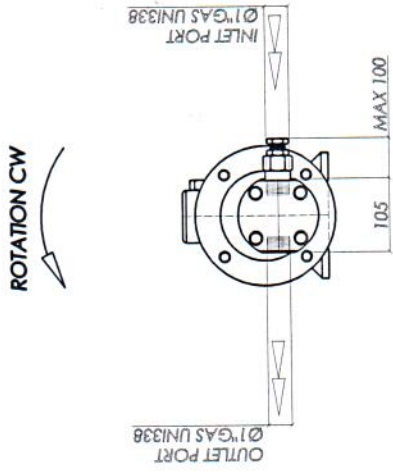
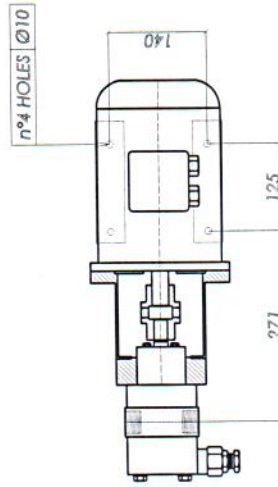
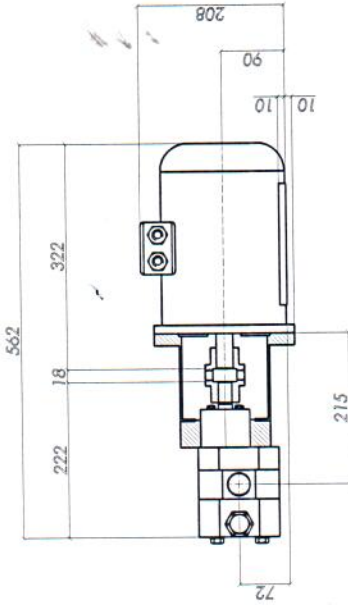


**NOTE: IN and OUT pipes must be screwed into the respective ports without any tension, must be independently supported and the weight must not rest on the pump** DIMENSION: +/-0.5mm



ROTATION CW



 <b>ULTRA POMPE S/I</b> Via Goldoni 37- 20090 Trezzano S/N MI Tel. 02/48464552 - Fax 02/48464544	The drawing is exclusive property of <b>ULTRA POMPE S/I</b> Without written license of the owner it is not allowed to use some pieces of information from it, or it is related to the european community property laws.	PUMP TYPE <b>GL 28</b> ELECTRIC MOTOR <b>B3/B5, 90L</b> OTHERS	JOINT ON PUMP <b>R19 Ø19</b> JOINT ON MOTOR <b>R19 Ø24</b>	THICKNESS ON PUMP - THICKNESS ON MOTOR -	NOTES ON PUMP <b>+B</b> NOTES ON MOTOR <b>kw 1.5 4p</b>	APPROXIMATED UNIT WEIGHT <b>Kg</b>
	ASSEMBLY <b>Complete Unit Outline Dimension</b> CUSTOMER <b>Unknown</b>	DRAWN BY <b>AD</b> DATE <b>February 07</b>	OTHERS <b>Bypass</b>	DRAWING NUMBER <b>XXX</b>		