

Universal Shaft Sensor Mount



Sensor Installation Made Easy!

APPLICATION

Fully guarded target for easy mounting of motion sensors.

The 'Whirligig' three in one target/bracket/guard is suitable for all industry standard cylindrical or DIN style inductive sensors including our M100, M300 and M800 speed sensors.

The sensor bolts to the whirligig base plate and the complete assembly bolts to the machines shaft. The installation of speed sensors is now simple, reliable and fully guarded. Shaft or machine vibration does not affect the performance of the sensor, as the whole assembly moves with the shaft.

METHOD OF OPERATION

- Universal application - Suits all DIN style and industry standard cylindrical sensors
- Easy Installation – Only requires M12 Tapped Hole in the machines shaft or use the MagCon for magnetic connection
- Safe - Fully enclosed targets
- Included brackets for 30mm and 18mm diameter sensors

PART NUMBERS/ACCESSORIES

WG1A-BR	- Whirligig 1 target
WG2A-BR	- Whirligig 2 target
WG4A-BR	- Whirligig 4 target
WG8A-BR	- Whirligig 8 target
MG1-BR	- Mini-gig 2 target
WG HD	- Heavy Duty Stainless Steel Whirligig
WGB3060	- Whirligig bracket for 90deg. M800
WGB1830	- Whirligig bracket for M18 and M30 sensors
MAG2000M	- MagCon Magnetic Connector

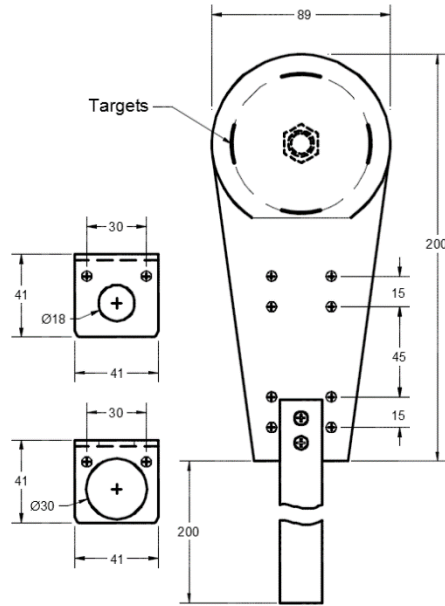
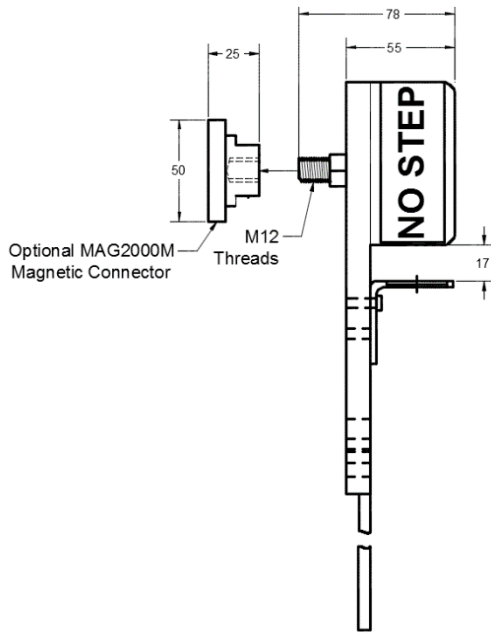
Detailed specification, wiring diagrams and installation/operating instructions available immediately upon request.



U.S. Pat # 6,109,120



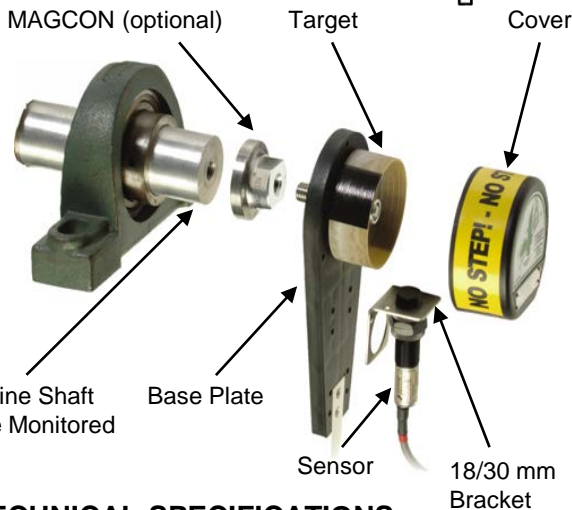
U.S. Pat # 6,964,209



MagCon - Optional Magnetic Connector

This device screws onto the Whirligig and magnetically couples to the shaft being monitored. Simplifying installation even further.

Material: Stainless Steel
Holding Force: Over 660 Newtons
Maximum Speed: 300 RPM



TECHNICAL SPECIFICATIONS

Whirligig – Universal Shaft Sensor Mount

Shaft Material: Stainless Steel
Body Material: Polypropylene
Bearing: Sealed Heavy Duty Stainless Steel
Mounting Thread: M12x1.75
Hex Wrench Size: 16mm
Maximum Speed: 1500 RPM
Pulses/ Targets: Standard 4 Pulses
Available: 1, 2, 4 or 8 pulses



Whirligig installed on an enclosed belt conveyor shown with M800 speedswitch