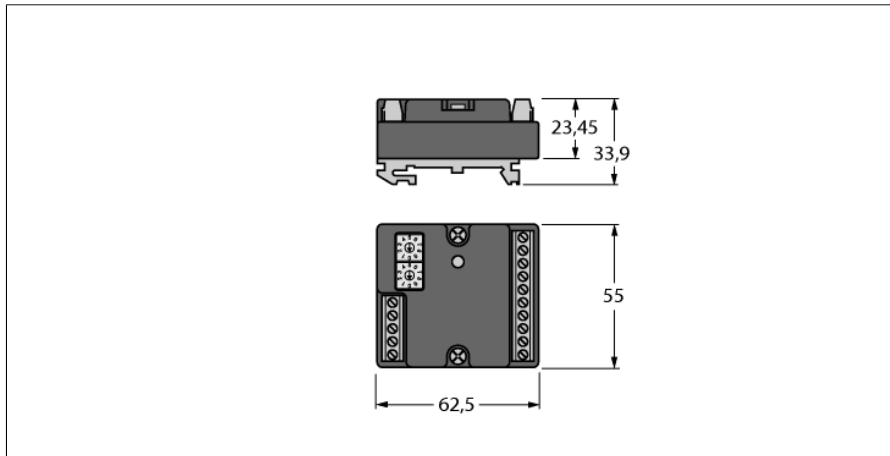


**Compact I/O station for DeviceNet**  
**4 digital inputs, 4 configurable channels**  
**FDN20-4S-4XSG-DIN**



- DeviceNet™ slave
- Screw-clamp terminal block, 5-pin, for DeviceNet™ fieldbus connection
- Rotary coding switch for setting the DeviceNet™ address
- can be mounted on DIN rail
- Degree of protection IP20

<b>Type designation</b>	FDN20-4S-4XSG-DIN
Ident-No.	6611377
Ident-No (TUSA)	F0205
<b>Number of channels</b>	8
internal power consumption	<50 mA plus I/O supply
Voltage supply via DeviceNet	24 VDC
Supply voltage	24 VDC
Admissible range field supply	11...26 VDC
Power dissipation, typical	≤ 1.2 W
<b>Inputs</b>	
Input voltage	11...26 VDC
Low level signal voltage	< 4 V
High level signal voltage	8...24 V
Low level signal current	< 0.5 mA
High level signal current	1...3.4 mA
Max. input current	Total: 700 mA
<b>Output voltage</b>	18...26 VDC
Output current per channel	0.5 A (from DeviceNet™)
Switching frequency	≤ 100 Hz
Short-circuit protection	yes
<b>Fieldbus transmission rate</b>	125/250/500 kbps
Fieldbus address range	0...63
Fieldbus addressing	2 decimally coded rotary switches
<b>Dimensions (W x L x H)</b>	55 x 62.5 x 23.5mm
Housing material	Nylon
Operating temperature	-40...70°C
Protection class	IP20
Approvals	CE, UL
UL conditions	pol. deg.2; surr. air temp. max. 40°C; cl.2 ps req.; tight. torque max. 0.56-0.79 Nm