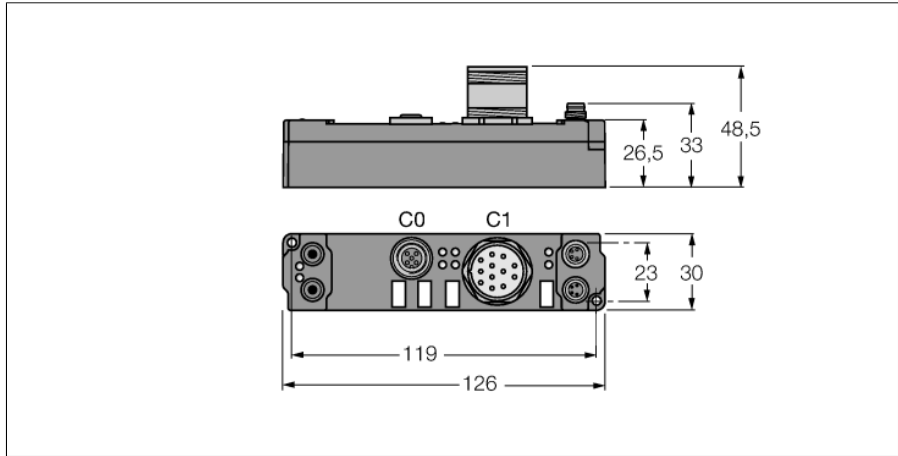
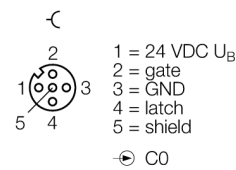


piconet Extension Module for IP-Link
1-channel Incremental Encoder Interface
SNNE-10S-0001

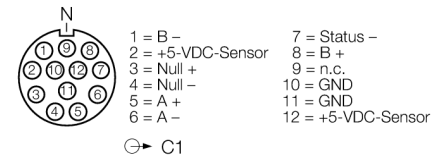


- Incremental encoder interface
- 1-channel
- Parameterizable functions
- Supported via I/O-ASSISTANT 2
- Direct connection to the IP link
- Fibre-glass reinforced housing
- Encapsulated module electronics
- Metal connector
- Degree of protection IP67

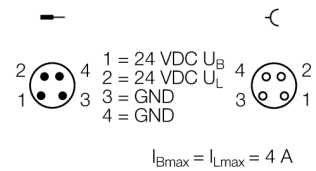
M12 × 1 Gate/Latch Input



Encoder - M23 × 1



M8 × 1 Power Supply



Type designation	SNNE-10S-0001
Ident no.	6824210
Operating / load voltage	20...29 VDC
Operating current	≤ 55 mA
Fibre-optic length	≤ 15 m
Maximum limiting frequency analog	1 MHz Hz
Rectangular decoder	1-port, 2-port, 4-port evaluation
Counter	16 bit binary
Actuator power supply	5 VDC
Zero pulse latch	16 bit
Commands	read, set, activate
Dimensions (W x L x H)	30 x 126 x 26.5 mm
Vibration test	Acc. to EN 60068-2-6
Shock test	acc. to DIN EN 60068-2-27
Electromagnetic compatibility	Acc. to EN 61000-6-2/EN 61000-6-4
Protection class	IP67
Approvals	CE, cULus

piconet Extension Module for IP-Link
1-channel Incremental Encoder Interface
SNNE-10S-0001

Data in process image

	Address	Input data		Output data	
Pre-conditions	Word	High-Byte	Low-Byte	High-Byte	Low-Byte
Complex mapping: Data are mapped with control and status byte	0	D1	SB	Reg1	CB
	1	D2	D0	reserved	Reg0
	2	D3	D4	reserved	reserved