

Author: G. REZOHIER

Date of the revision 2021-10-27: test documentary update

**RANGE: Backward curved centrifugal fans with single phase asynchronous motor**

OEP	ND	Test	LF35La	Customer	ECODIST
		Winding	F05	Reference	
Drawing of the product	BIS_Z19-07 p_l=d.pdf			Designation	<b>2RRE45 280x40R</b>

**ELECTRICAL DATA**

Speed	
Tension (V)	230
Frequency (Hz)	50
Current (A)	0.98
Maximum current (A)	1.33
Power (W)	216
Maximum power (W)	300
Rotation (RPM)	2735
Cos $\Phi$	0.958
Temperature min/max (°C)	-20/+60
Capacitor ( $\mu$ F)	8.00
U_condo (V)	400
Comments	débit libre

**Winding temperature cold** (Temperature at 20°C, tolerances 7%)

PP	PA
30.5 Ohm	38.0 Ohm

**Temperature variation** (110% of the voltage)

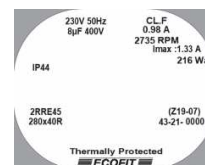
F (Hz)	Average elevation (°K)	Speed
50 Hz	86 °K	

**Dielectric strength** 1500 VAC 60 seconds

**Direction of rotation** CW

**MARKING & STANDARDS**

Conformity



The product is manufactured in accordance with EN 60335-1, and RoHS directive 2015/863/CE  
IP class according to EN 60034-5 to be checked with operation and installation

Issued: 2021-10-27 at 11:48 Documentations and pictures are non contractual, all the data of the technical file and the drawing are subject to change.

Réf. EV EC 025 - Revision b  
Old DT EN - Page 1 / 4

Author: G. REZOHIER

Date of the revision 2021-10-27: test documentary update

## TECHNICAL DATA

### Description

- Weight: 3.60 kg
- With Condensat Drain Holes
- Class F
- Protection level: 44 | Protection against ingress of solid with diameter  $\geq 1$  mm / Protection against ingress of water : splashing
- Motor's protection T150° C Automatic reset
- Bearing type: 2 ball bearings 608ZZ + 6000ZZ
- Balance level: G2.5

### Special features

- any

### Limiting conditions of operation

- 

## ADDITIONAL DATA

### Documentations

- Operating and recycling manual  
<http://www.ecofit.com/anglais/normes>

### Measurement setup

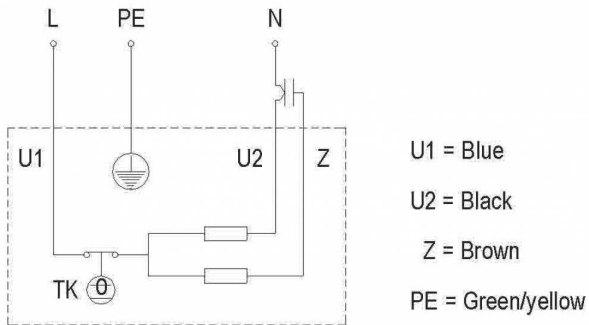
- Ouie 16168-0 OUIE Di182 De320mm H12 GALVA

Author: G. REZOHIER

Date of the revision 2021-10-27: test documentary update

## CONNECTORS

### Wiring diagram

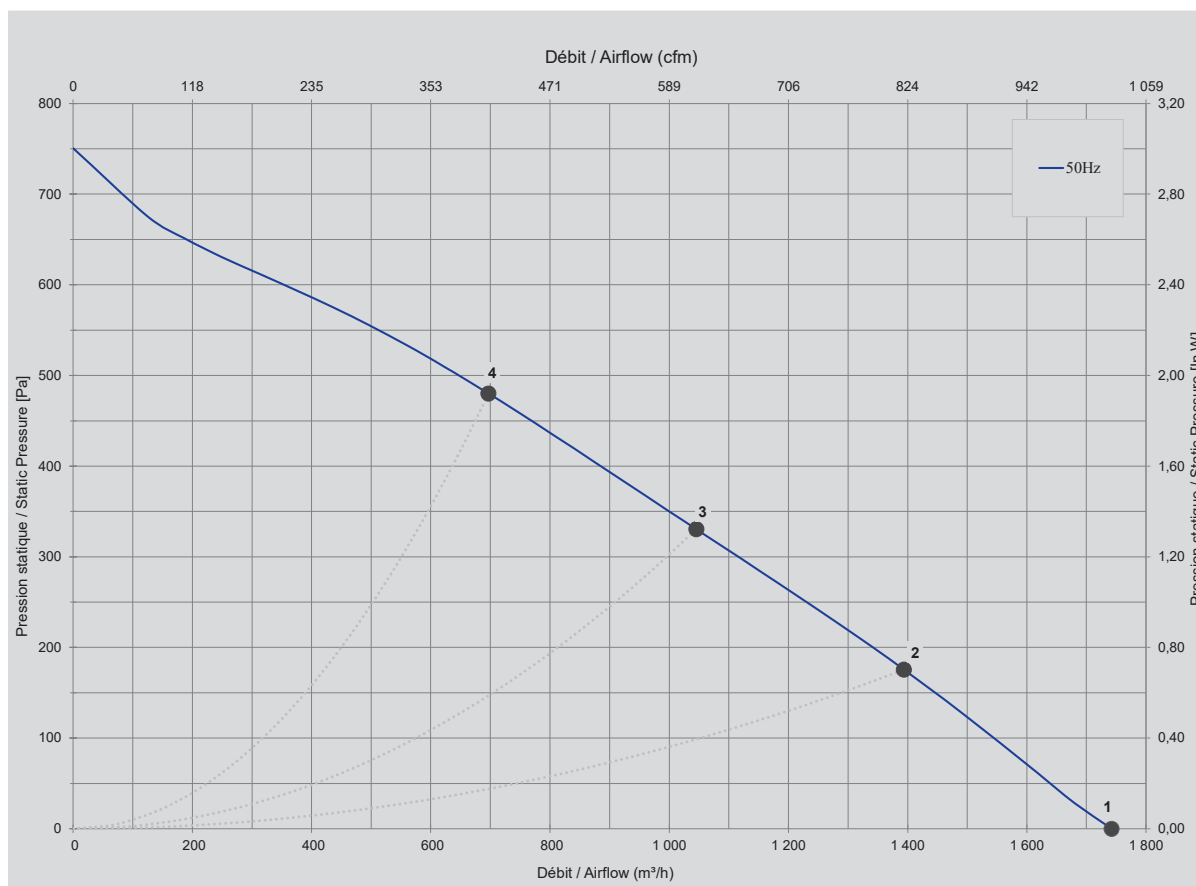


## ERP DATA



- For maintenance usage only in Europe according to the directive EU 2009/125/EC

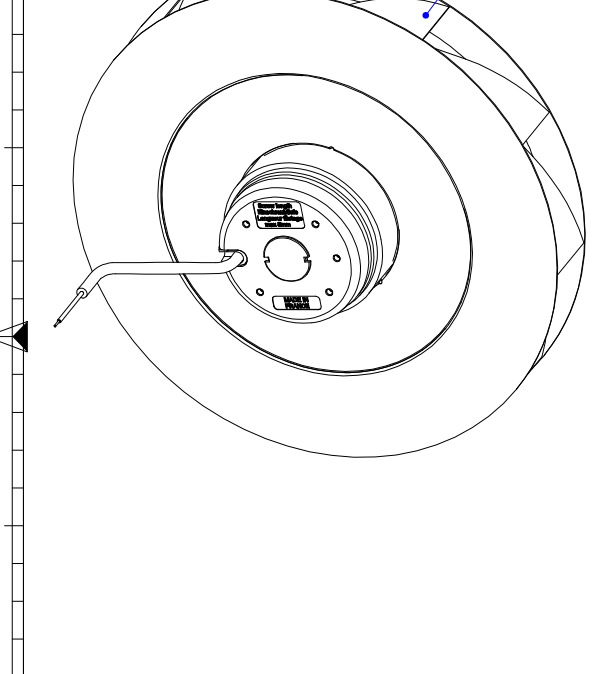
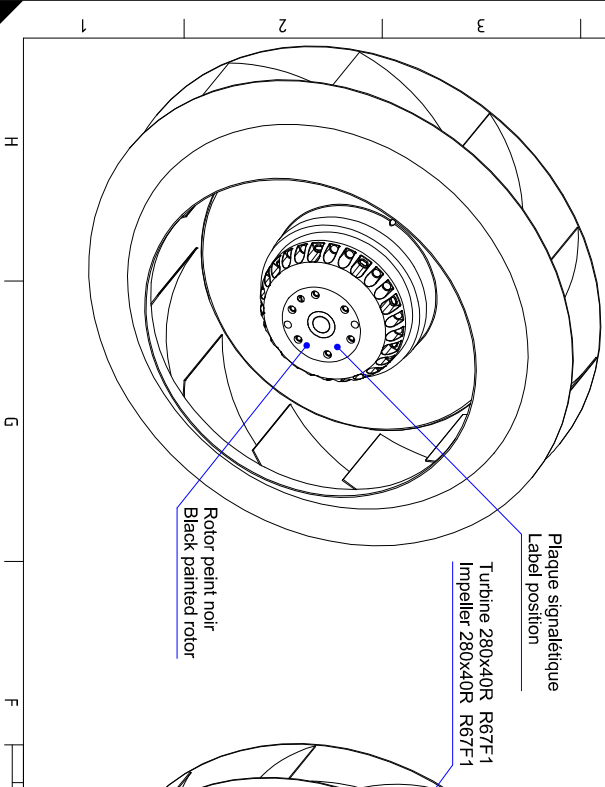
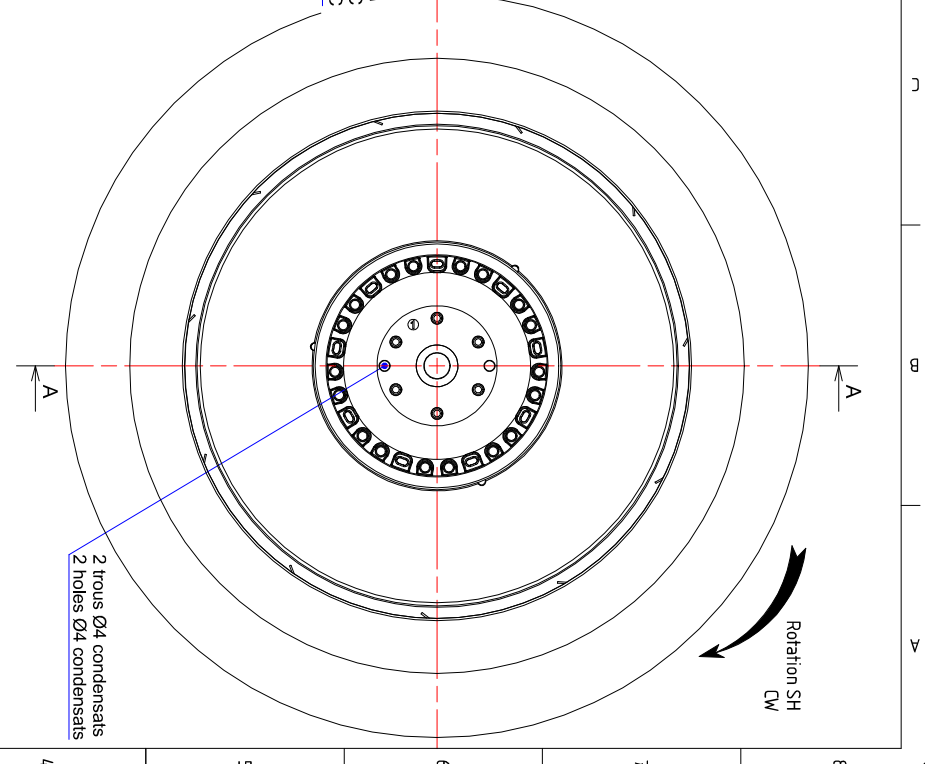
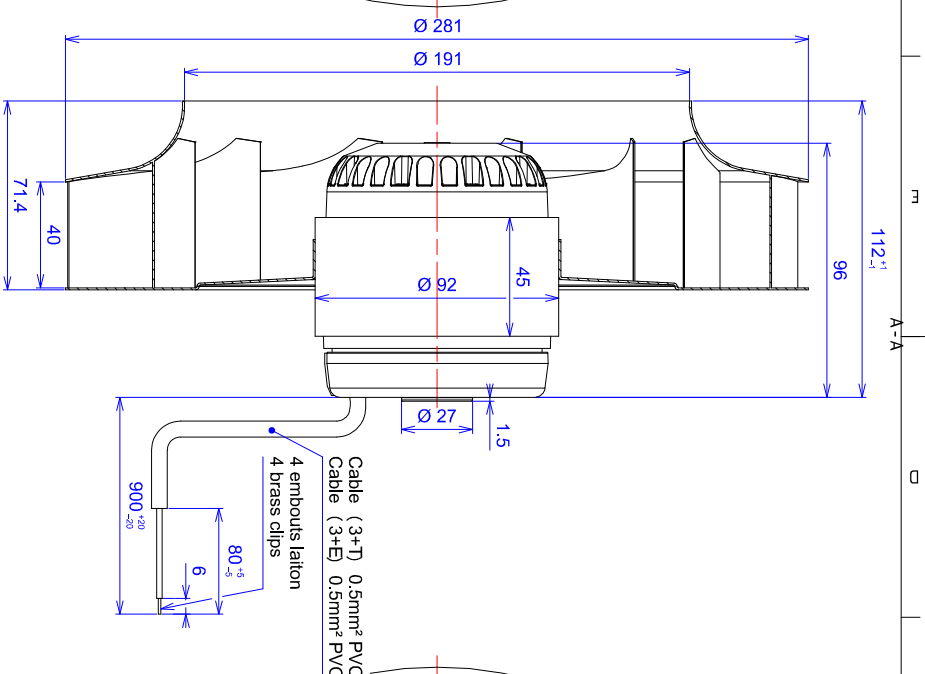
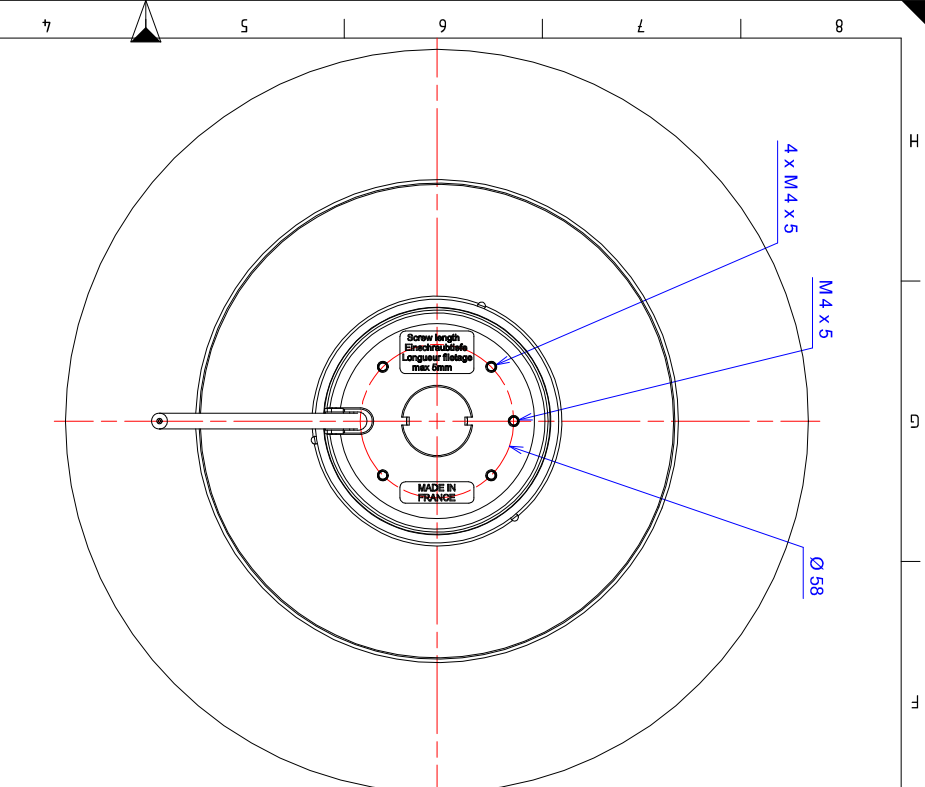
TECHNICAL DATA



Mesures / Measured Values \*

	Un (V)	F (Hz)	C (µF)	P (W)	n (RPM)	Q (m³/h)	P (Pa)	Q (cfm)	P (in.W)	Lp <sub>in</sub> (dBA)
1	230	50	8	216	2735	1 742	0	1 025	0,000	
2	230	50	8	264	2590	1 394	175	820	0,703	
3	230	50	8	296	2492	1 045	330	615	1,324	
4	230	50	8	294	2485	697	480	410	1,923	

\* Air performance measured according to: ISO 5801, installation category C.  
Intake-side sound level: according to ISO 3744, LpA measured at 1 m distance from fan axis. The values given are only applicable under the specified measuring conditions and may differ depending on the installation conditions. In the event of deviation



Plaque signalétique  
Label position

Turbine 280x40R R67F1  
Impeller 280x40R R67F1

Rotor peint noir  
Black painted rotor

d	06/09/2021	Mise a jour documentaire	bjn
c	09/04/2013	Fiche technique conforme à la directive ErP	rd
b	13/09/2006	Passage en nouvelle toile	rd
a	01/04/2003	Ajouter peinture noire sur rotor	rd
INDICE	DATE	LIBELLÉ	AUTEUR
Dessiné par : RD		Client : ECODIST	Etat de surface :
Ech. 0,700		Ref. client : -	Fiche technique / Data sheet
Format : A2	Folio : 1/1	Verifié par :	EV.EC.025
BACKWARD CURVED CENTRIFUGAL FAN		Protection :	Tolérances générales : ±1mm
MOTO VENTILATEUR			
2RRE45-280x40R			
TopSolid 6			
ECO FIT & ETRI PRODUCTS			
N° Z19-07 p			
Indice : d			

CE DOCUMENT EST LA PROPRIÉTÉ D'ECO FIT. NE PEUT ÊTRE REPRODUIT OU COMMUNIQUÉ SANS SON AUTORISATION ÉCRITE