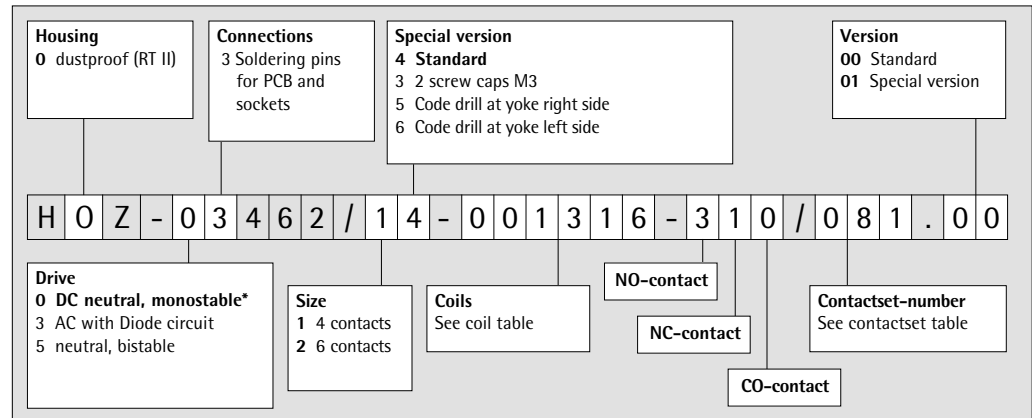


Safety Relay H-462

Type key



* Preferred version

Contactset table

| Number of contacts NO/NC/CO-contacts | AgCdO +0,2 µm Au | AgCdO +5 µm Au | AgCdO +10 µm Au | AgSnO ₂ +0,2 µm Au | AgSnO ₂ +5 µm A | Contact material |
|---|---------------------|-------------------|--------------------|----------------------------------|-------------------------------|----------------------|
| 220 | 080 | 082 | 061 | 088 | 092 | Contactset number |
| 310 | 079 | 081 | 059 | 087 | 091 | |
| 330 | 077 | 084 | 057 | 085 | 090 | |
| 420 | 078 | 083 | 055 | 086 | 089 | |

All values at ambient temperature $T_u = 20\text{ °C}$

DC-Coil table

Number of contacts
310
220

| Coil-No. | Resistance R/Ω | Resistance- tolerance ± | U_1/V | U_2/V | U_3/V | $U_{rück}/V$ | Printing U_{nom}/V |
|----------|-------------------|----------------------------|---------|---------|---------|--------------|-------------------------|
| 1228 | 33 | 5% | 3,4 | 11,6 | 11 | 0,8 | 6 |
| 1323 | 110 | 6% | 6,2 | 21,2 | 19 | 1,4 | 12 |
| 1316 | 480 | 8% | 13,9 | 43,9 | 42 | 3,0 | 24 |
| 1312 | 1.700 | 7% | 27,3 | 82,9 | 83 | 5,9 | 48 |
| 1311 | 2.700 | 7% | 34,4 | 104,4 | 104 | 7,4 | 60 |
| 1306 | 10.000 | 9% | 69,8 | 199,7 | 205 | 14,7 | 110 |
| 1303 | 40.000 | 12% | 139,8 | 395,0 | 394 | 28,2 | 220 |

All values at ambient temperature $T_u = 20\text{ °C}$

Number of contacts 420

| Coil-No. | Resistance R/Ω | Resistance- tolerance ± | U_1/V | U_2/V | U_3/V | $U_{rück}/V$ | Printing U_{nom}/V |
|----------|-------------------|----------------------------|---------|---------|---------|--------------|-------------------------|
| 1228 | 33 | 5% | 3,7 | 11,6 | 11 | 0,8 | 6 |
| 1323 | 110 | 6% | 6,9 | 21,2 | 19 | 1,4 | 12 |
| 1316 | 480 | 8% | 15,5 | 43,9 | 42 | 3,0 | 24 |
| 1312 | 1.700 | 7% | 30,3 | 82,9 | 83 | 5,9 | 48 |
| 1311 | 2.700 | 7% | 38,2 | 104,4 | 104 | 7,4 | 60 |
| 1306 | 10.000 | 9% | 77,8 | 199,7 | 205 | 14,7 | 110 |
| 1303 | 40.000 | 12% | 155,7 | 395,0 | 394 | 28,2 | 220 |

U_1 : Minimum operating voltage with consideration of coil self heating
 U_2 : Thermal restricted maximum coil voltage
 U_3 : Maximum admissible coil voltage to realize a contact gap of > 0.5 mm also at a contact fault
 $U_{rück}$: Releasing voltage

Further coils are possible and available

Safety Relay H-462

All values at ambient temperature $T_u = 20\text{ °C}$

DC-Coil table
Number of contacts
330

| Coil-No. | Resistance R/ Ω | Resistance- tolerance \pm | U_1/V | U_2/V | U_3/V | $U_{rück}/V$ | Printing U_{nom}/V |
|----------|---------------------------|--------------------------------|---------|---------|---------|--------------|-------------------------|
| 1228 | 33 | 5% | 4,1 | 11,6 | 11 | 0,8 | 6 |
| 1323 | 110 | 6% | 7,6 | 21,2 | 19 | 1,4 | 12 |
| 1316 | 480 | 8% | 17,1 | 43,9 | 42 | 3,0 | 24 |
| 1312 | 1.700 | 7% | 33,5 | 82,9 | 83 | 5,9 | 48 |
| 1268 | 2.650 | 7% | 39,5 | 103,5 | 98 | 7,0 | 60 |
| 1306 | 10.000 | 9% | 86,0 | 199,7 | 205 | 14,7 | 110 |
| 1303 | 40.000 | 12% | 172,2 | 395,0 | 394 | 28,2 | 220 |

U_1 : Minimum operating voltage with consideration of coil self heating
 U_2 : Thermal restricted maximum coil voltage
 U_3 : Maximum admissible coil voltage to realize a contact gap of > 0.5 mm also at a contact fault
 $U_{rück}$: Releasing voltage

Further coils are possible and available

All values at ambient temperature $T_u = 20\text{ °C}$

AC-Coil table
Number of contacts
220
310
330
420

| Coil-No. | Resistance R/ Ω | Resistance- tolerance \pm | U_{min}/V | U_{max}/V | Printing U_{nom}/V |
|----------|---------------------------|--------------------------------|-------------|-------------|-------------------------|
| 1128 | 30 | 10% | 9,6 | 13,2 | 12 |
| 1323 | 110 | 10% | 19,2 | 26,4 | 24 |
| 1316 | 480 | 10% | 38,4 | 52,8 | 48 |
| 1514 | 750 | 10% | 48,0 | 66,0 | 60 |
| 1311 | 7.200 | 15% | 88,0 | 121,0 | 110/115 |
| 1306 | 10.000 | 15% | 176,0 | 242,0 | 220/230 |

Further coils are possible and available

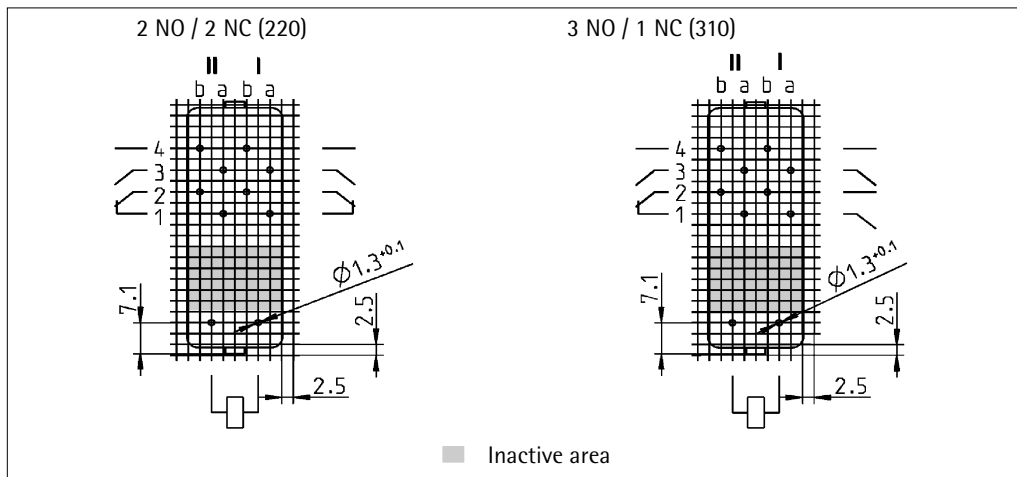
Running types

| Article-No. | Type key | Printing U_{nom} | U_1/V | U_2/V | U_3/V | $U_{rück}/V$ |
|-------------|--------------------------------|-----------------------|---------|---------|---------|--------------|
| 462-1026 | HOZ-03462/14-001316-220/080.00 | DC 24 V | 13,9 | 43,9 | 42 | 3,0 |
| 462-1027 | HOZ-03462/14-001316-310/079.00 | DC 24 V | 13,9 | 43,9 | 42 | 3,0 |
| 462-1045 | HOZ-03462/24-001316-330/077.00 | DC 24 V | 17,1 | 43,9 | 42 | 3,0 |
| 462-1140 | HOZ-03462/14-001323-310/079.00 | DC 12 V | 6,2 | 21,2 | 19 | 1,4 |
| 462-1210 | HOZ-03462/24-001316-420/078.00 | DC 24 V | 15,5 | 43,9 | 42 | 3,0 |
| 462-1312 | HOZ-03462/24-001316-330/084.00 | DC 24 V | 17,1 | 43,9 | 42 | 3,0 |
| 462-1320 | HOZ-03462/14-001316-310/081.00 | DC 24 V | 13,9 | 43,9 | 42 | 3,0 |
| 462-1326 | HOZ-03462/14-001323-220/082.00 | DC 12 V | 6,2 | 21,2 | 19 | 1,4 |
| 462-1328 | HOZ-03462/14-001312-220/082.00 | DC 48 V | 27,3 | 82,9 | 83 | 5,9 |
| 462-1333 | HOZ-03462/24-001323-420/083.00 | DC 12 V | 6,9 | 21,2 | 19 | 1,4 |
| 462-1334 | HOZ-03462/24-001316-420/083.00 | DC 24 V | 15,5 | 43,9 | 42 | 3,0 |
| 462-1342 | HOZ-03462/24-001312-330/084.00 | DC 48 V | 33,5 | 82,9 | 83 | 5,9 |

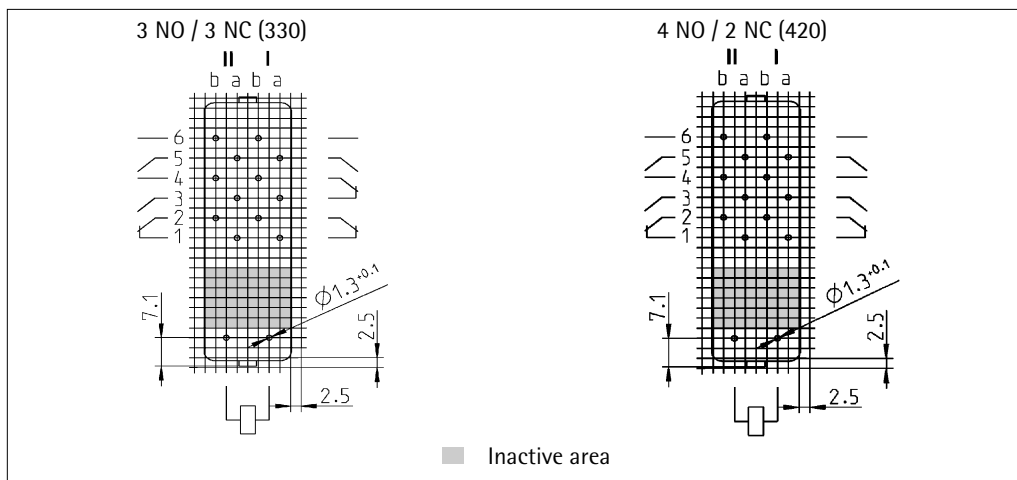
Safety Relay H-462

Connection grid
View on soldering side

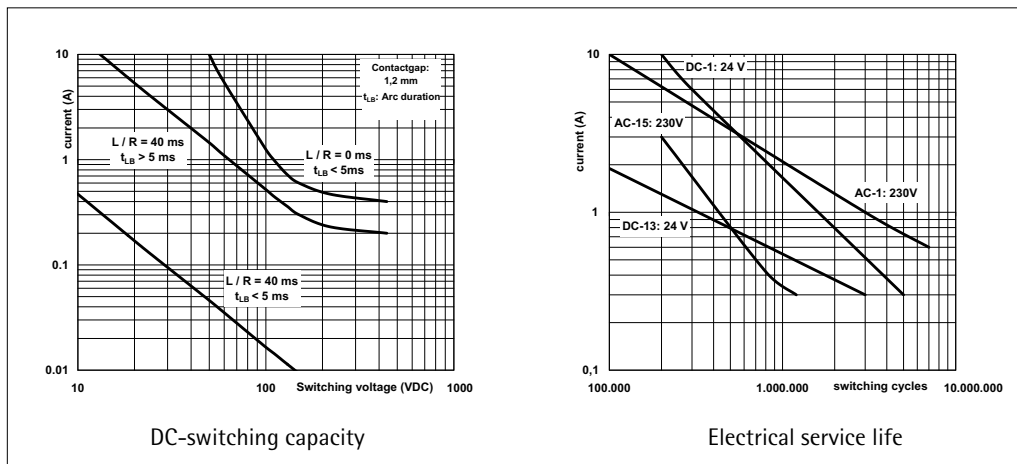
Size 1



Size 2

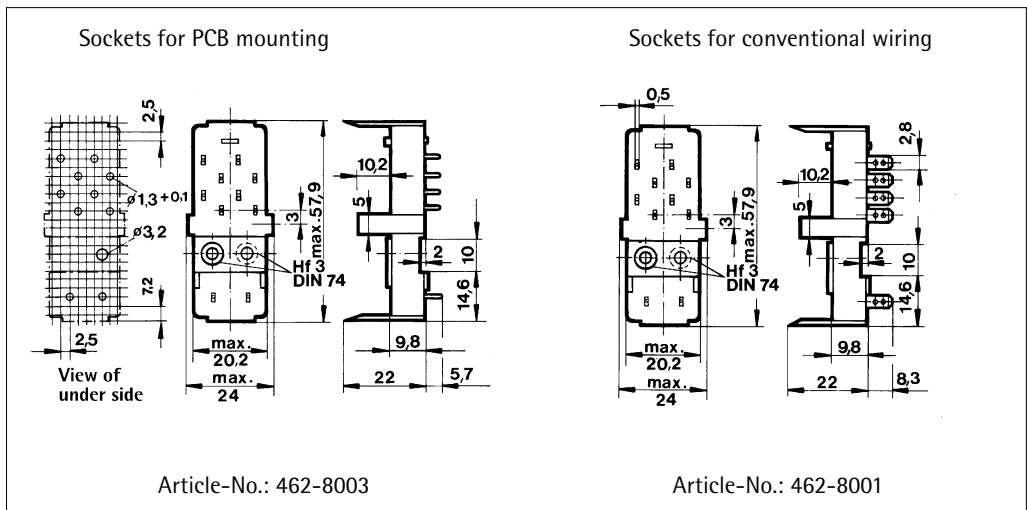
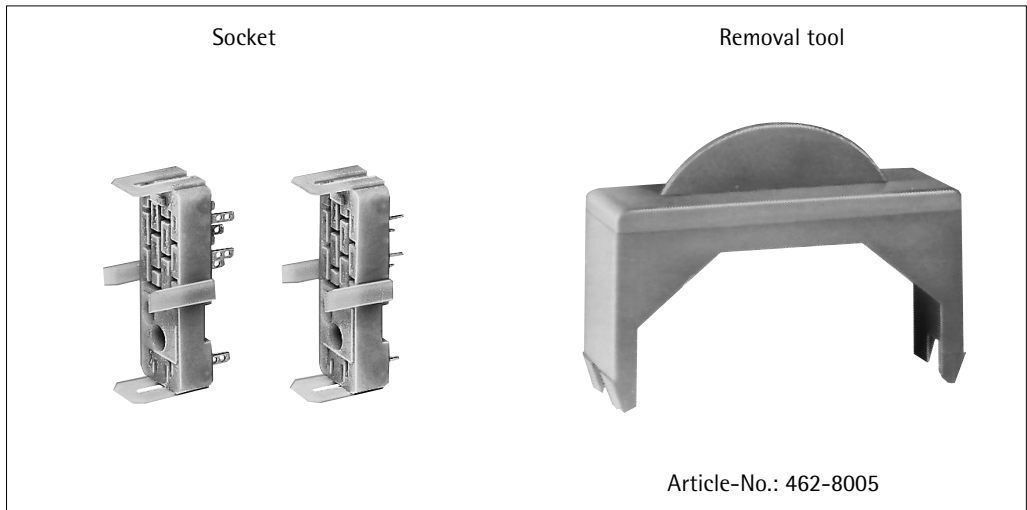


Diagram

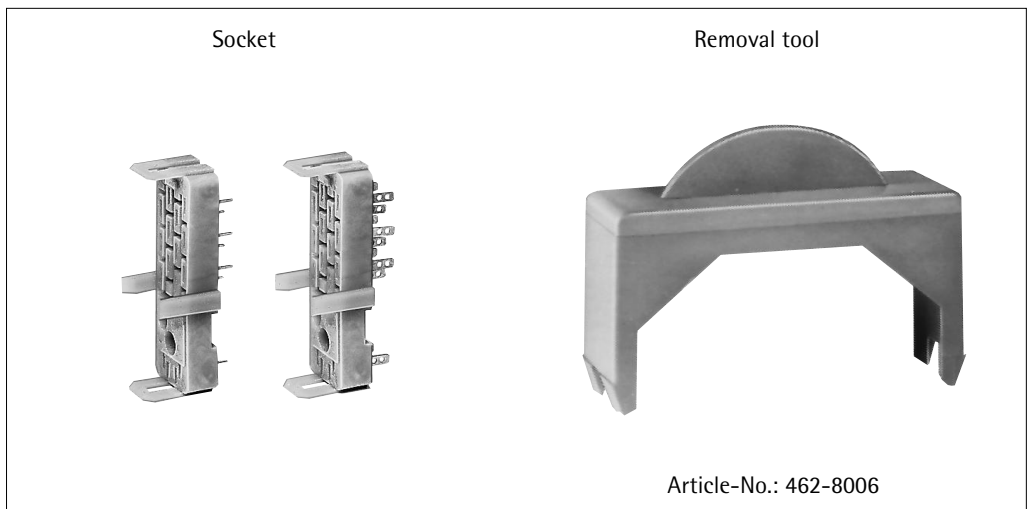


Safety Relays H-462

Accessories
H-462/1
(4 contacts)



H-462/2
(6 contacts)



Safety Relay H-462

Accessories
H-462/2
(6 contacts)

