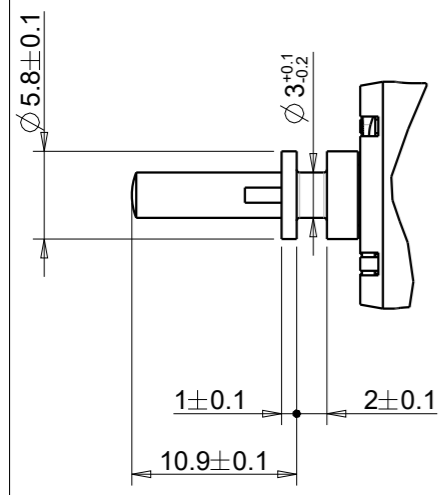
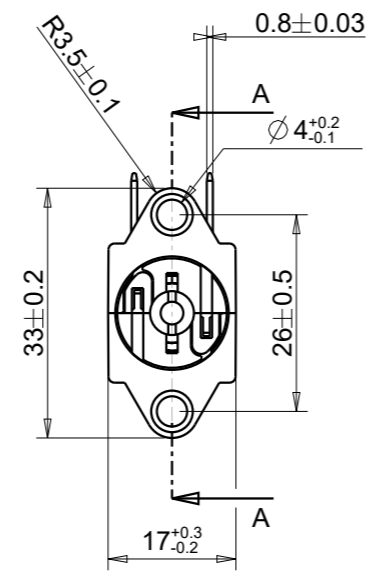
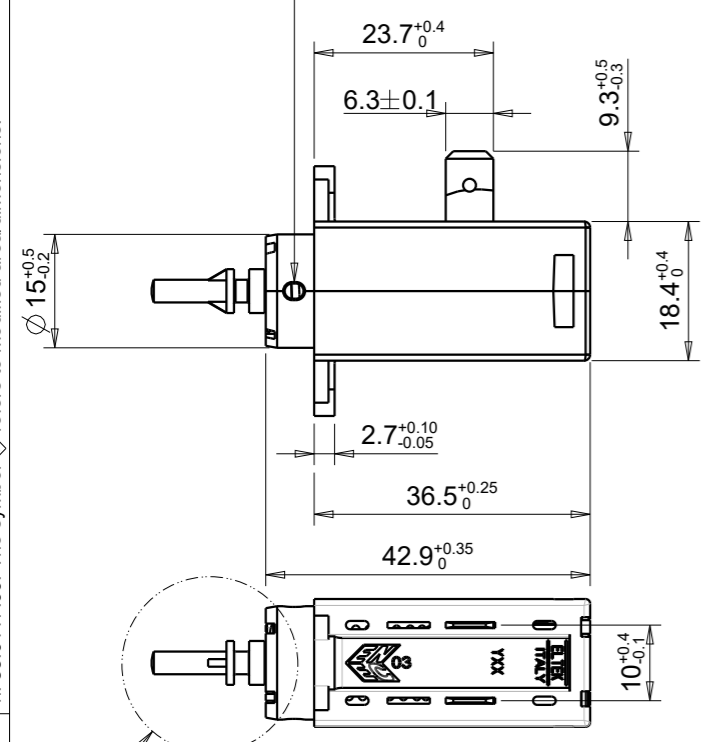
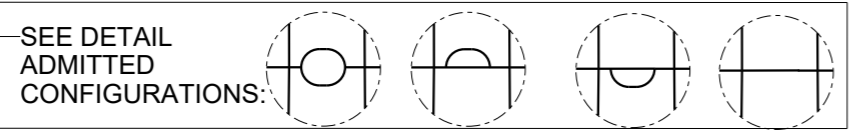


Il fornitore e' tenuto a richiedere le prescrizioni riguardanti la simbologia sulle dimensioni \varnothing e copia della specifica accettazione materiali n. 83.0117.00. Il simbolo \diamond si riferisce alle zone/quote modificate. The supplier is obliged to request the prescription regarding symbols on the dimensions \varnothing and a copy of the specification concerning materials acceptance n. 83.0117.00. The symbol \diamond refers to modified area/dimensions.

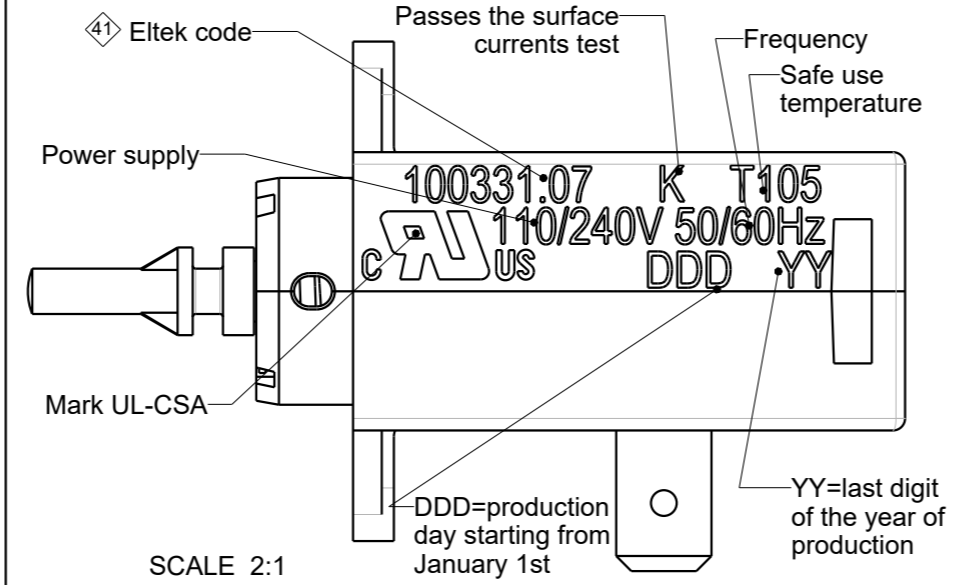
Questo documento e le informazioni in esso contenute sono di proprieta' ELTEK SpA e devono considerarsi di natura riservata. Pertanto ne e' vietato qualsiasi tipo di utilizzo non preventivamente autorizzato da ELTEK SpA. This document and the information in it contained are property of ELTEK SpA and, as such, they are to be considered reserved. Therefore, any reproduction in any form or by any means, without prior written permission of ELTEK SpA, is forbidden.



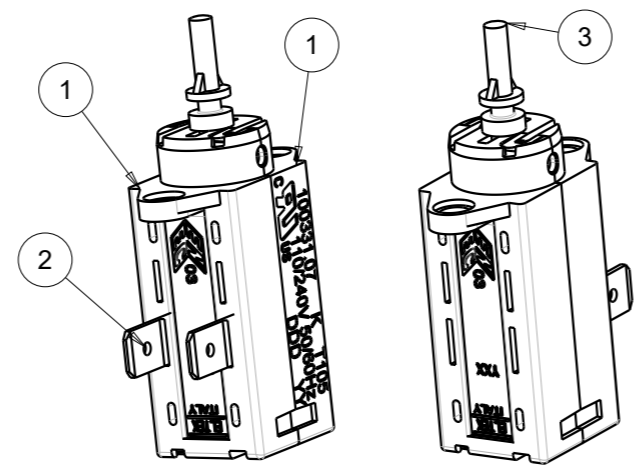
DETAIL A SCALE 2:1

Electrical and mechanical features		
Pos.	Features	Value
1	Breakdown voltage (< 0.1 s)	400V
2	Absorbed current (peak 110/220V)	0.5/1.5 A
3	Absorbed current (steady state 110/220V)	0.05/0.03 A
4	Do not energize for more than	12 hours
5	Do not stop plunger travel under	26.5 mm
6	Max applicable load during phase OFF	10 N

MARKING

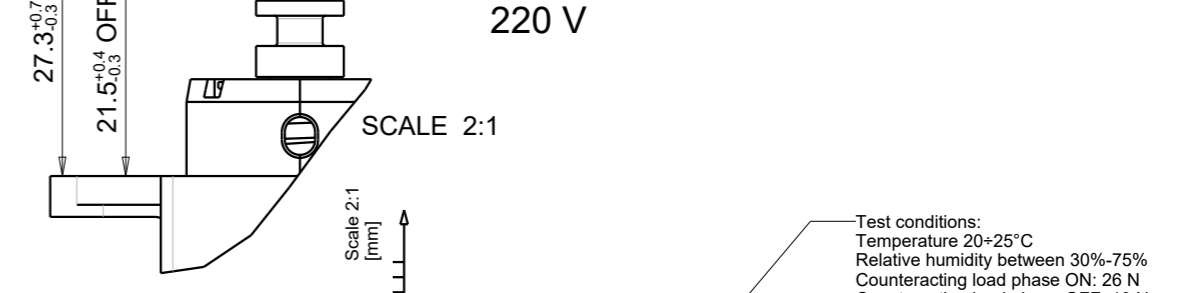
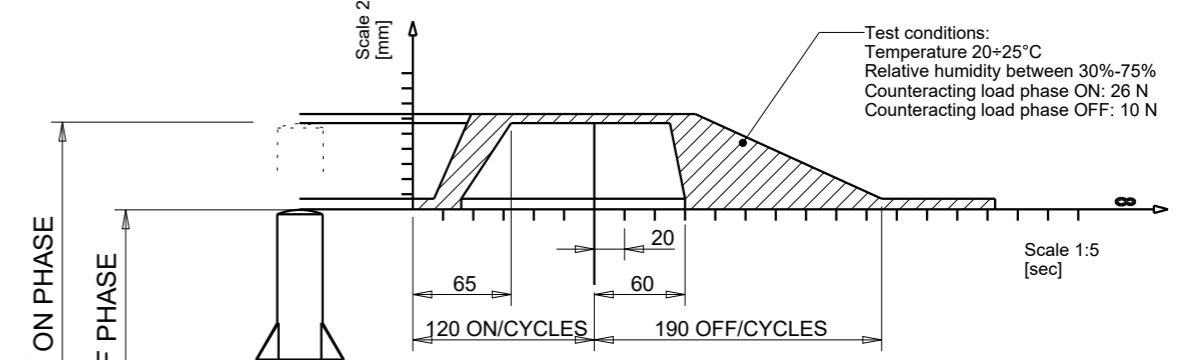


SCALE 2:1



N°	Description	Materiale	QTY	Colour
1	Half housing	PA6.6+Glass fiber	2	Brown
2	Faston	Bronze	2	Bronze
3	Plunger	PA 6.6+Glass fiber	1	Brown

STROKE / TIME DIAGRAM



Note:
For technical data refer to the Technical Specification code 82.0331.00
The thermoactuator has a grade of protection : IP00 (not protected, ref. IEC 60529).

All above p.n. are approved: 03 File E113133
N° 500 thermoactuator in each box (390X290X180)

Rev	Modification Description	Date	By	Weight [g]:	19.5
41/A	Adjustment in marking added point in the product code in 100331.07 (it was 10 0331 07)	09/06/21	SEGALINI	Volume:	
40/A	Adjusted: added stroke time diagram, marking view and update dimensions, it is replace 100331A1	04/12/19	SEGALINI	[mm ³]	
Drawing Size A3				Replace	Index
First angle projection				10.0331.A1.14	-
Material				Code	Index
Colour				10.0331.07.41	A
Description				Thermoactuator 6mm stroke, Long ON time , 110/240V	