

ELECTRIC / MANUAL VALVES

Q75 MONOBLOCK – 1/2" MULTIPLE ELECTRIC

Monoblock valves equipped with inlet check and adjustable relief valves.
(set 150 bar).

Max. back pressure = 25 bar standard.

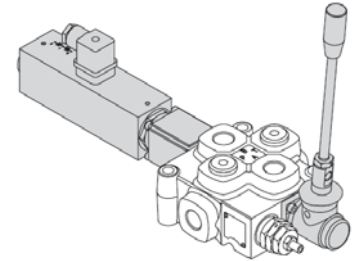
1/2 " BSPP inlet & cylinder ports, 3/4" BSPP tank port.

Handle can be fitted either end.

Supplied with electrical connector(s) & lever(s).

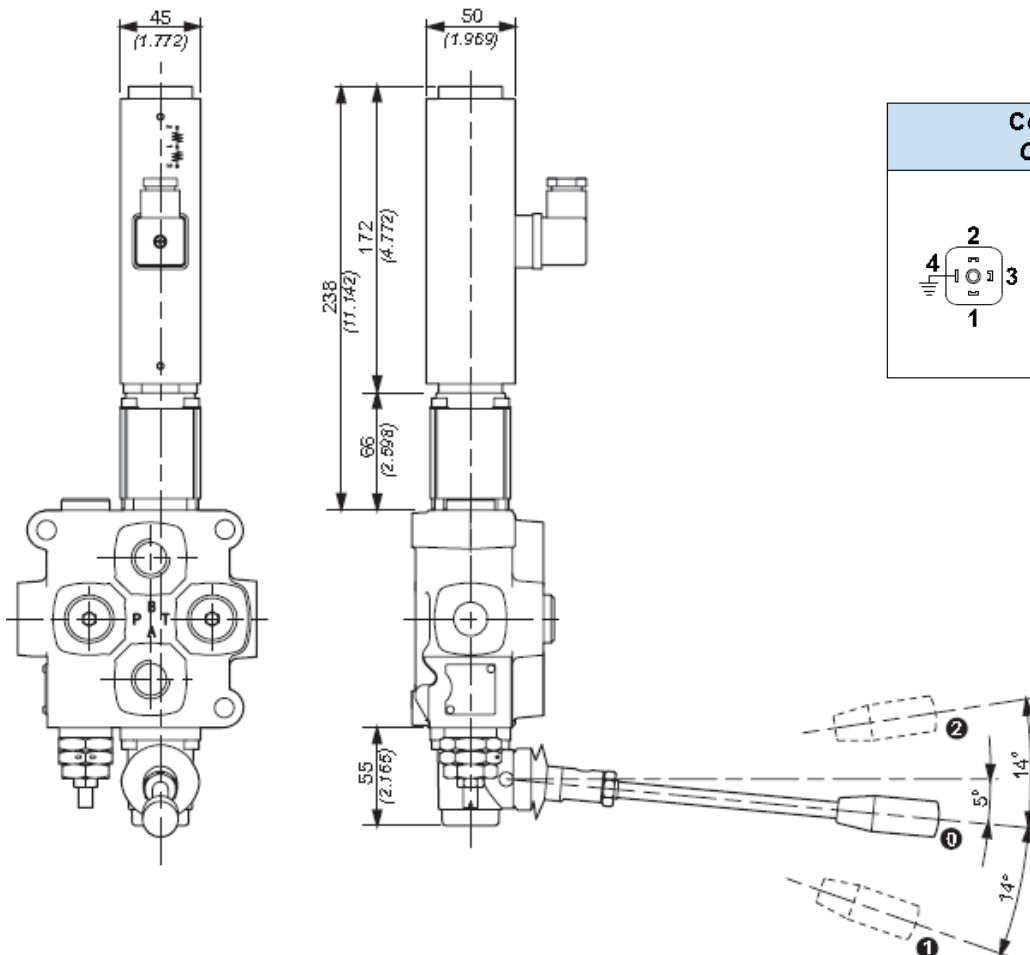
Solenoid coils use DIN 43650 Plug IP65,80W.

Note: Overall length 415mm.



MODEL CODE	DESCRIPTION	MAX. lpm	MAX. bar	WT. kg
Q75/1-103A1D41	1 Spool	75	300	8.1
Q75/2-103A1D41	2 Spool			12.4
Q75/3-103A1D41	3 Spool			17.6
Q75/4-103A1D41	4 Spool			22.0
Q75/5-103A1D41	5 Spool			26.5
Q75/6-103A1D41	6 Spool			31.0

Specify 12VDC or 24VDC



Connessione Connection		
	1 - 2	Effetto A Port A
	1 - 3	Effetto B Port B