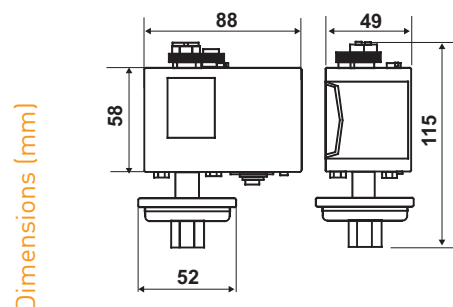


# B12AN - B12BN

Vacuum pressure switches up to - 0.82 bar

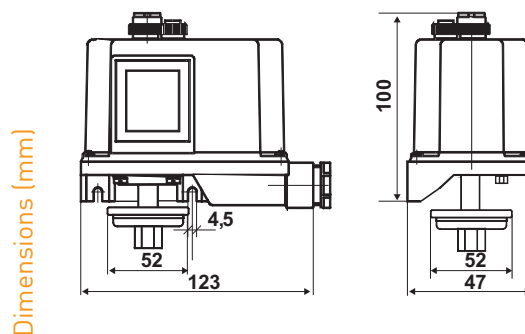
Pressure switches up to 2 bar

To adjust vacuum values in the pumps (B12AN) or to control pressure values of tanks or steam generators where it is required a low differential (B12BN).



	Range bar	Differential* bar	Sensitive element max. pressure bar	Connection G 1/4	Protection degree	Availability
B12AN	-0,82 ÷ 0	0,1 fixed	2,5	female	IP40	in stock
B12AN4	-0,82 ÷ 0	0,1 fixed	2,5	male	IP40	on request
B12BN	0,2 ÷ 2	0,1 ÷ 0,5	4	female	IP40	in stock

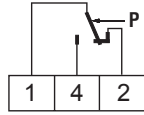
## WATERPROOF CASING EXECUTION



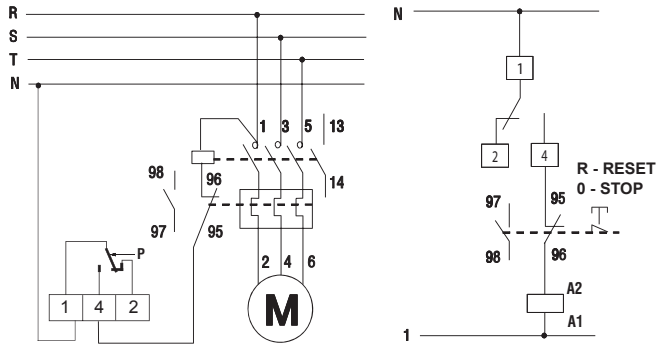
	Range bar	Differential* bar	Sensitive element max. pressure bar	Connection G 1/4	Protection degree	Availability
B12ANY	-0,82 ÷ 0	0,1 fixed	2,5	female	IP65	in stock
B12BNY	0,2 ÷ 2	0,1 ÷ 0,5	4	female	IP65	in stock

# ELECTRICAL FEATURES

Snap action SPDT microswitch, contacts in AgCdO.



## EXAMPLE OF ELECTRICAL WIRING



Nominal insulation tension	U <sub>i</sub> 415V~	
Continuous duty nominal current	I <sub>th</sub> 16A	
Operating nominal current I <sub>e</sub>	220V-	380/415V~
Resistive load	AC-1	- 16A
Inductive load	AC-3	- 6A
Continuous current	DC-13	0,2A

# HOMOLOGATION AND STANDARDS

Complies with EN 60947-1 and 60947-5-1 standards.

**CE 0497**

# INSTALLATION

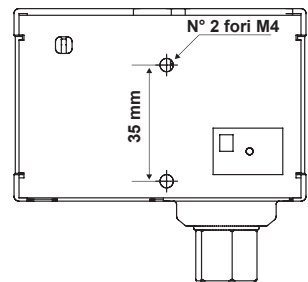
Direct installation on the pipe.

Pressure element connection G 1/4.

In case of fluid temperatures higher than the maximum allowed, connect the pressure switch to the pipe by inserting a metallic spiral between the pressure switch and the pipe to facilitate heat dispersion.

Possibility of mounting on metallic clamp, except for the waterproof casing versions.

## MOUNTING MODEL



# OPERATION

When pressure increases: 1-2 opens, 1-4 closes.

In the pressure switch with blocking and manual reset at maximum pressure, the reset takes place when the pressure is below the value set on differential.

# FEATURES

Sensitive element with stainless steel membrane, laser welded.

Metallic frame.

Cover in shockproof thermoplastic material.

Output connections with PVC cable gland.

Female connection G 1/4 (17 mm key).

Maximum temperature of the controlled fluid: 120 °C.

Pressure switch body admissible temperature: -35 ÷ 60°C.

Storage and transport temperature: -35 ÷ 60°C.

Unit weight: 0,43 Kg B12AN.

Unit weight: 0,44 Kg B12BN.

# ACCESSORIES



**303298LA**

G1/2 cable gland in V0 self-extinguishing, shockproof thermoplastic material for output connections.



**2593367**

Protection casing IP44.