

2/2 Cartridge Seat Valve, Size 10

$Q_{\max} = 140 \text{ l/min}$, $p_{\max} = 350 \text{ bar}$
with solenoid operation, seat-valve shut-off, two stage
Series WR22G.../ WR22O...



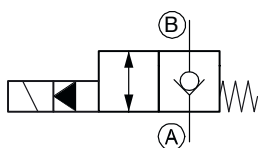
- With seat-valve shut-off from B → A
- No external pilot drain required
- Compact design for cavity types DC or DD to Bucher standards
- High flow rates
- Low headloss
- Reliable switching, even after long dwell times
- Nominal power consumption 17 W – optionally 27 / 25 W
- All exposed parts with zinc-nickel plating
- High pressure wet-armature solenoids
- The slip-on coil can be rotated, and it can be replaced without opening the hydraulic envelope
- Various plug-connector systems and voltages are available
- Can be fitted in a line-mounting body
- Can be fitted in sandwich bodies

1 Description

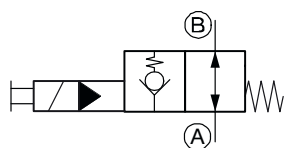
These 2/2 solenoid-operated directional seat valves, series WR22G.../ WR22O..., are size 10, two stage, pressure balanced screw-in cartridges with an M24x1.5 mounting thread. They are designed on the poppet/seat principle, and the B → A flow path is therefore virtually leak-free. "De-energised closed" and "de-energised open" functions are available. The switching times can be influenced by using solenoid coils with differing power ratings. The straightforward design delivers a good price / performance ratio and outstanding headloss/flow ratings. These 2/2 solenoid operated seat valves are used in mobile and industrial applica-

tions where leak-tight shut-off functions are crucially important. Examples are where loads, tensions, or clamping forces must be held without leakage. All external parts of the cartridge are zinc-nickel plated to DIN 50 979 and are thus suitable for use in the harshest operating environments. The slip-on coils can be replaced without opening the hydraulic envelope and can be positioned at any angle through 360°. If you intend to manufacture your own cavities or are designing a line-mounting installation, please refer to the section "Related data sheets".

2 Symbol



WR22G...



WR22O...

3 Technical data

General characteristics	Description, value, unit
Designation	2/2 cartridge seat valve
Design	seat-valve shut-off, with solenoid operation, two stage
Mounting method	screw-in cartridge M24 x 1.5
Size	nominal size 10, cavity type DC or DD
Weight	0.50 kg
Mounting attitude	unrestricted
Ambient temperature range	-25 °C ... +50 °C

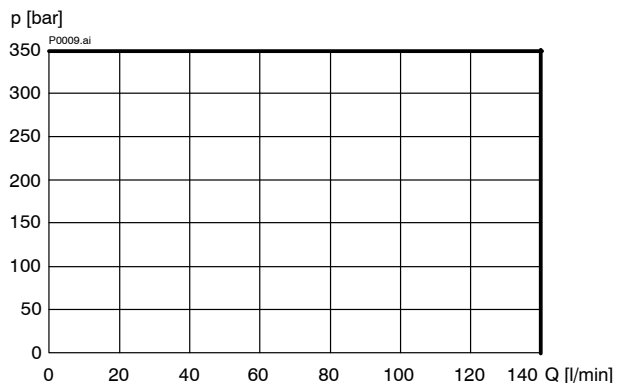
Reference: 400-P-131110-EN-01

Hydraulic characteristics		Description, value, unit
Maximum operating pressure (ports A and B)		350 bar
Maximum flow rate		140 l/min
Flow direction		A → B / B → A, see symbols Switching safety achieved by flow and Δp.
Hydraulic fluid		HL and HLP mineral oil to DIN 51 524; for other fluids, please contact BUCHER
Hydraulic fluid temperature range		-25 °C ... +80 °C
Viscosity range		10...500 mm ² /s (cSt), recommended 15...250 mm ² /s (cSt)
Minimum fluid cleanliness Cleanliness class to ISO 4406 : 1999		class 20/18/15
Electrical characteristics		Description, value, unit
Supply voltage		12 V DC, 24 V DC / 115 V AC, 230 V AC (50 ... 60 Hz)
Supply voltage tolerance		± 10 %
Nominal power consumption		-version "E" -version "N" V DC = 17 W / V AC = 17 W V DC = 27 W / V AC = 25 W
Switching time		-version WR22GE...10 30 ... 90 ms (energising) 95 ... 230 ms (de-energising) -version WR22OE...10 50 ... 150 ms (energising) 15 ... 40 ms (de-energising) -version WR22GN...10 25 ... 130 ms (energising) 50 ... 200 ms (de-energising) -version WR22ON...10 50 ... 195 ms (energising) 20 ... 40 ms (de-energising) Depending on pressure, flow rate and viscosity as well as dwell time under pressure, the switching times may vary from the the stated values.
Relative duty cycle		100 %
Protection class to ISO 20 653 / EN 60 529		IP 65 / IP 67 / IP 69K, see "Ordering code" (with appropriate mating connector and proper fitting and sealing)
Electrical connection		DIN EN 175301-803, 3-pin 2 P+E (standard) for other connectors, see "Ordering code"

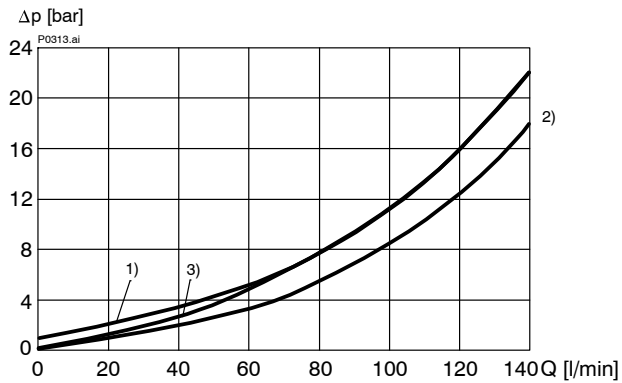
4 Performance graphs

measured with oil viscosity 33 mm²/s (cSt), coil at steady-state temperature and 10 % undervoltage

p = f (Q) Performance limits

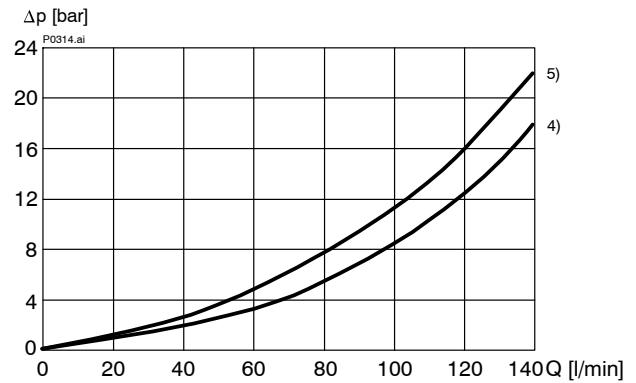


$\Delta p = f(Q)$ Pressure drop - Flow rate characteristic
[WR22G...]



- 1) A → B, solenoid de-energising
- 2) B → A, solenoid energising
- 3) A → B, solenoid energising

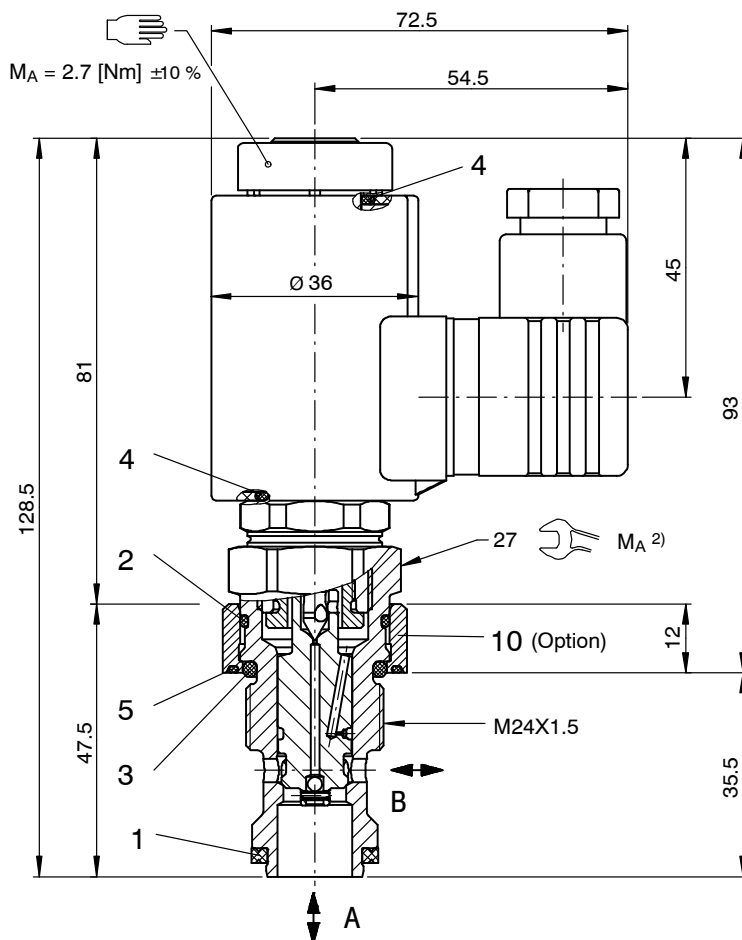
$\Delta p = f(Q)$ Pressure drop - Flow rate characteristic
[WR22O...]



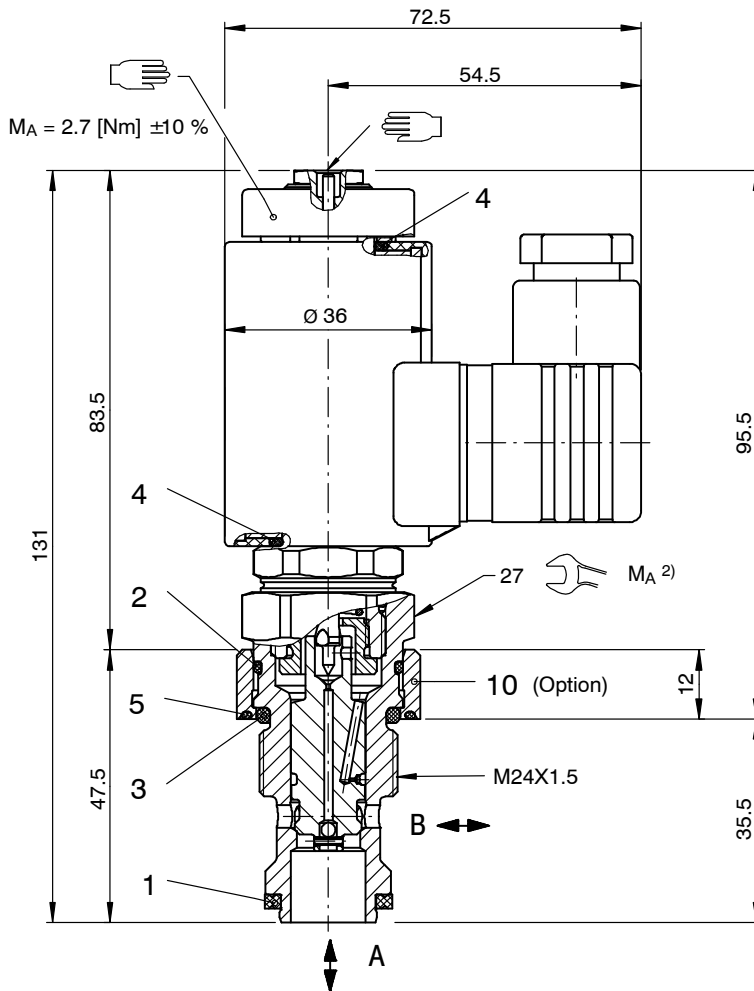
- 4) A → B, solenoid de-energising
- 5) B → A, solenoid de-energising

5 Dimensions & sectional view

5.1 "Normally closed" design WR22G...



5.2 "Normally open" design WR220...



Tightening torque $M_A^{2)} \pm 10\%$

Cavity type	DD	DC
Can be fitted in steel	65 [Nm]	100 [Nm]
Can be fitted in aluminium	50 [Nm]	100 [Nm]

6 Installation information



IMPORTANT!

When fitting the cartridges, use the specified tightening torque. No adjustments are necessary, since the cartridges are set in the factory.



ATTENTION!

Only qualified personnel with mechanical skills may carry out any maintenance work. Generally, the only work that should ever be undertaken is to check, and possibly replace, the seals. When changing seals, oil or grease the new seals thoroughly before fitting them.

Seal kit NBR no. DS-276-N ¹⁾

Item	Qty.	Description
1	1	Backup ring $\varnothing 22.10 / 16.50 \times 2.50$
2	1	O-ring no.020 $\varnothing 21.95 \times 1.78$ N90
3	1	O-ring no.117 $\varnothing 20.29 \times 2.62$ N90
4	2	O-ring $\varnothing 16.00 \times 2.00$ Viton
5	1	O-ring $\varnothing 27.00 \times 1.50$ N75

Option with adapter ring C

Item	Qty.	Description
10	1	Adapter ring C $\varnothing 32.00 \times 12.00$



IMPORTANT!

¹⁾ Seal kit with FKM (Viton) seals, no. DS-276-V

7 Ordering code

	Ex.	W	R	22G	E	D	A	-	10	-	4	24	D	-	-
W	=	directional valve													
R	=	check valve function, seated design, two stage													
22G	=	2/2 function, normally closed													
22O	=	2/2 function, normally open													
E	=	electrically operated, V DC = 17 W / V AC = 17 W (standard)													
N	=	electrically operated, V DC = 27 W / V AC = 25 W													
D	=	cavity type DD (standard)													
C	=	cavity type DC (option with adapter ring C)													
A ... Q	=	standard model - see relevant data sheets													
Z ... R	=	special features - please consult BUCHER													
10	=	nominal size 10													
(blank)	=	NBR (Nitrile) seals (standard)													
V	=	FKM (Viton) seals (special seals - please contact BUCHER)													
1 ... 9	=	design stage (omit when ordering new units)													
...	=	voltage e.g. 24 (24 V)													
D	=	current DC													
A	=	current AC													
(blank)	=	DIN EN 175301-803 connection with mating plug (standard, IP 65)													
M100	=	DIN EN 175301-803 connection without mating plug													
C	=	Kostal plug connection (IP 65)													
JT	=	Junior Timer radial plug connection (with protection diode, IP65)													
IT	=	Junior Timer axial plug connection (with protection diode, IP65)													
D	=	Deutsch plug connection DT04-2P (IP 67/69K)													
DT	=	Deutsch plug connection DT04-2P (with protection diode, IP 67/69K)													
S	=	AMP Superseal 1.5 (IP67) / Metri-Pack 150 (IP65) plug connection													
F	=	flying leads (500 mm)													

} mating plug not supplied

8 Related data sheets

Reference	(Old no.)	Description
400-P-040011	(i-32)	The form-tool hire programme
400-P-060121	(i-45.2)	Cavity type DD
400-P-060111	(i-45.1)	Cavity type DC (option with adapter ring C)
400-P-120110	(W-2.141)	Coils for screw-in cartridge valves
400-P-160120	(W-40.10)	Sandwich 2/2 solenoid seat valve, ISO size 03, type SWR22...EDA...
400-P-170120	(W-43.10)	Sandwich 2/2 solenoid seat valve, ISO size 05, type SWR22...EDA...
400-P-170122	(W-43.15)	Sandwich 2/2 solenoid seat valve, ISO size 05, type SWR22...ECA...
400-P-740111	(G-24.21)	Line- and manifold-mounting body, type DD-12 (G 1/2")
400-P-740101	(G-24.20)	Line- and manifold-mounting body, type DC-12 (G 1/2")

info.ch@bucherhydraulics.com

www.bucherhydraulics.com

© 2018 by Bucher Hydraulics AG Frutigen, CH-3714 Frutigen

All rights reserved.

Data is provided for the purpose of product description only, and must not be construed as warranted characteristics in the legal sense. The information does not relieve users from the duty of conducting their own evaluations and tests. Because the products are subject to continual improvement, we reserve the right to amend the product specifications contained in this catalogue.

Classification: 430.300.-.305.320.300