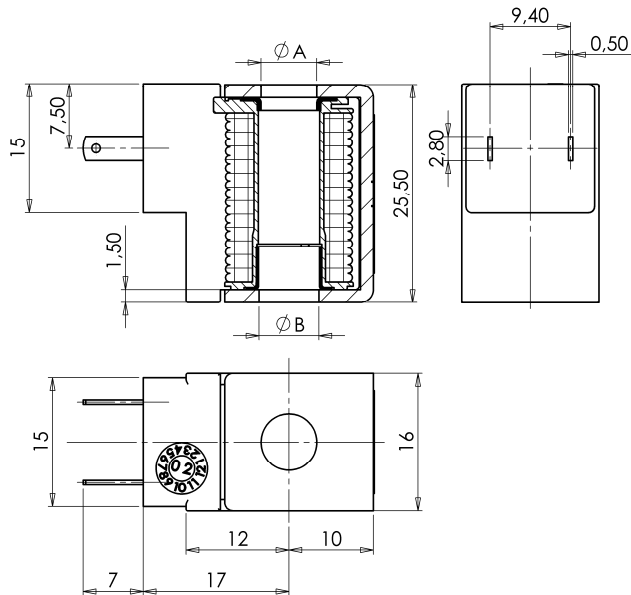




COIL
Spade terminal (DIN 46340)

ZE30A



► **GENERAL FEATURES**

Complying with 73/23/EC directive and relative modification 93/68/EC.
Zinc plated external steel yoke.
Complying with VDE 0580 standard (100% inspected).

► **ELECTRIC CONNECTION**

2 silver-plated spade terminals 2,8 x 0,5 (DIN 46340) for crimped connectors.

► **TECHNICAL FEATURES**

<i>Continuous duty</i>	ED 100%
<i>Coil insulation class</i>	F (155°C)
<i>Ambient temperature</i>	-10°C +60°C
<i>Protection degree</i>	IP 40 (EN 60529) with female wire terminals 2,8 x 0,5 totally insulated
<i>Voltages DC</i>	12-24V (+10% -5%) (Other voltages on request).

► **ENCAPSULATION MATERIALS**

PA (polyamide) fiberglass reinforced; black colour

TYPE	POWER ABSORPTION			HOLES		NOTES	WEIGHT (kg)
	AC (VA)		DC (W)	ØA	ØB		
	Inrush	Holding					
ZE30A	-	-	4	6,5	7	-	0,030