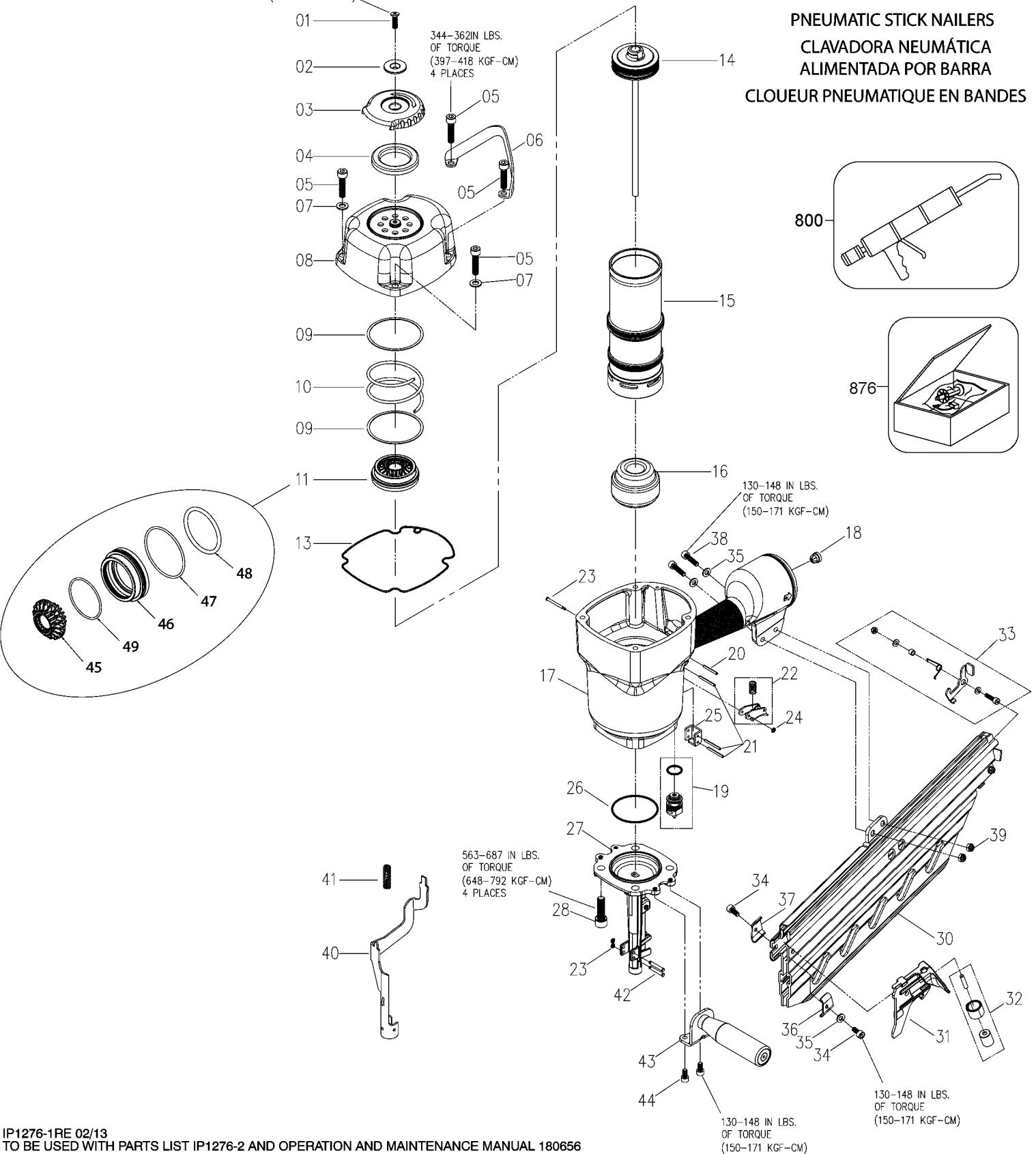
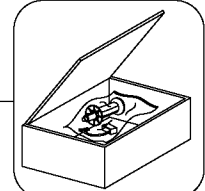
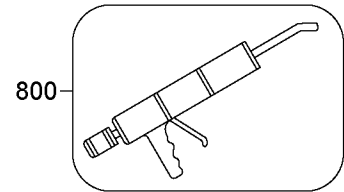


BRT130

PNEUMATIC STICK NAILERS
 CLAVADORA NEUMÁTICA
 ALIMENTADA POR BARRA
 CLOUEUR PNEUMATIQUE EN BANDES

95-105 IN LBS.
 OF TORQUE
 (109-121 KGF-CM)

344-362 IN LBS.
 OF TORQUE
 (397-418 KGF-CM)
 4 PLACES



IP1276-1RE 02/13
 TO BE USED WITH PARTS LIST IP1276-2 AND OPERATION AND MAINTENANCE MANUAL 180656

Parts List for BRT130 Type 1

Item Number	Part Number	Description	Qty Required
1	MSF8125-25	SCREW-SFHCS M8 X 1.2	1
2	9R188681	HOLDING PLATE	1
3	P2070000266	EXHAUST COVER	1
4	P2740001200	MUFFLER	1
5	S0110835100	HEX.SOC.HD.BOLT	4
6	P2966102057	HANGER	1
7	S05108161500	FLAT WASHER	2
8	9R199778	FRAME CAP	1
9	P2965203262	WASHER	2
10	P2960002500	SPRING	1
11	9R199760	HD.VALVE PISTON ASSE	1
13	P2960004100	PACKING	1
14	G0315300	DRIVER ASSEMBLY	1
15	G0505200	CYLINDER ASSEMBLY	1
16	P2960000800	BUMPER	1
17	G4221302	GUN BODY UNIT	1
18	P2960002100	MUFFLER	1
19	B296402002	TRIGGER VALVE KIT	1
20	S0803026000	SPRING PIN	1
21	174071	PIN-SPRING-M3X30MM	1
22	B296402004	TRIGGER ASSEMBLY	1
23	174062	STEPPED PIN	1
24	174073	O-RING	3
25	P2966302265	SAFETY GUIDER	1
26	S06S007100	O-RING	1
27	P2960001565	NOSE	1
28	S2711035101	HEX.SOC.HD.BOLT	4

Parts List for BRT130 Type 1

Item Number	Part Number	Description	Qty Required
30	B296402007	MAGAZINE ASSEMBLY	1
31	P2960003762	PUSHER	1
32	B296402003	PUSHER SPRING ASSEMB	1
33	B296402006	LATCH ASSEMBLY	1
34	S0110616100	HEX.SOC.HD.BOLT	2
35	S05106121500	FLAT WASHER	3
36	P2960004762	PROTECTION PLATE-LEF	1
37	P2960004662	PROTECTION PLATE-RIG	1
38	S0110625100	HEX.SOC.HD.BOLT	2
39	1G106	LOCK NUT	2
40	P2960004565	ARM-CONTACT	1
41	P1925201562	SPRING	1
42	P2960004362	PIN	2
43	P2960003400	AUXILLIARY GRIP UNIT	1
44	S0110612100	HEX.SOC.HD.BOLT	2
45	9R199761	SEAL	1
46	9R199762	HEAD VALVE PISTON	1
47	9R199763	O-RING	1
48	9R199764	O-RING	1
49	9R199765	O-RING	1
800	100679	LUBE (1LB.CAN)	1
800	100653	LUBE (2CC)	1
876	B296402008	O-RING KIT-BRT130	1