



Lubrication Equipment and
Fluid Handling Products



WWW.ALEMITE.COM

Alemite Quality

Every Alemite component must undergo advanced product testing before we ever put it in the field. This attention to detail, combined with our use of only high-grade materials, ensures Alemite products and systems are of the utmost quality.

Alemite Service

Alemite brings much more than reliable, high-quality products and systems to the industry. Our highly trained district managers and specialized distributors offer invaluable expertise and experience to help you get the right system or product every time so you know you are getting the attention and support you need to keep your operation running.

To place an order, please contact your local Alemite Distributor. To find the name of your local distributor, call Alemite Customer Service at 1-866-4-ALEMITE or 803-802-0001 (International). Contact Technical Support at 1-800-628-9069. Office hours are 8 AM to 6 PM EST Monday through Thursday and 8:30 AM to 6 PM EST on Fridays.

Our extensive national and international distribution network is one of the most comprehensive in the industry and offers prompt and efficient delivery.

Alemite Support

This catalog has been designed to ensure you can quickly find the right part or system for your lubrication or fluid handling operation. For more information, you may also visit our website at www.alemite.com.

ALEMITE, A ALEMITE (and design), CHAPS, the “fitting” design, PUSH N’ LUBE, RAM (and design), ACCU-GUARD, ACCU-GUARD PC, and ZERK-MATE are registered trademarks of Alemite, LLC, Johnson City, TN, USA.

Certain Alemite, LLC products are protected under one or more of the following patents: US patent nos. 4,756,230; 4,870,891; 5,277,339; 5,906,047; 5,944,146; 6,431,046; 7,004,357; D382,574; D382,575; D332,957 and additional foreign patents and additional patents pending.

COPYRIGHT © 2006 Alemite, LLC



Table of Contents

SECTION 1: Lubrication Fittings 1

- 1/4"-28 Taper Thread 4
- 1/4"-28 Straight Thread 5
- 1/8" PTF 6
- 1/4" PTF 8
- 1/4"-28 and 1/8" Thread Forming 9
- Drive 11
- Metric 14
- British Standard Pipe Threads 15
- Monel 16
- Stainless Steel 17
- Standard Button Head 18
- Giant Button Head 19
- Relief 20
- Flush Type 21
- Pin Type 22
- Hydraulic Shut-Off 23
- Leakproof 24
- Vents 25
- Breathers 26
- Special Thread 27
- Rivet 28
- Assortments 29
- Header Blocks 32
- Lubrication Fitting Accessories 33

SECTION 2: Grease Guns 39

- Cordless Series 41
- Standard-Duty Series 42
- Professional Series 44
- Heavy-Duty Series 47
- High-Pressure Series 49
- Specialty Series 50
- Grease Gun Accessories 52

SECTION 3: Pumps 60

- Grease Pumps 62
- Oil Pumps 73
- Chemical and Material Handling Pumps 83
- Undercoating Pumps 93
- Pump Accessories 99

SECTION 4: Fluid Monitoring & Inventory Management ... 108

- Accu-Guard® PC 110
- Accu-Guard® Compact 111
- Installation Accessories 112
- Big View Tank Monitor 113

SECTION 5: Used Fluid Handling Equipment 114

- Drains 115
- Drain Suction Hoses 117
- Used Fluid Handling Equipment Accessories 118

SECTION 6: Reels 121

- Heavy Duty 123
- Severe Duty 125
- Narrow Double Post 127
- High Capacity 128
- Shielded 130
- Oxygen/Acetylene 131
- Heavy Duty Electric Cord 132

Table of Contents

	Standard Duty Light & Electric Cord.....	133
	Compact Air/Water Reel	133
	Stainless Steel.....	134
	Hand Crank.....	135
	Corrosion-Resistant	136
	Reel Accessories.....	137
SECTION 7:	Control Valves and Meters	143
	High-Pressure Control Valves	144
	Oil & Other Fluids Control Valves.....	146
	Standard-Duty Mechanical Meters.....	147
	Heavy-Duty Mechanical Meters.....	148
	Preset Mechanical Meter.....	149
	Electronic Grease Meters.....	151
	In-Line Meters.....	152
	Electronic Meters.....	153
	Electronic Preset Meters.....	155
	Dispensing Valves & Bar Packages.....	156
SECTION 8:	Compressed Air Components.....	158
	Modular Filters.....	159
	Modular Regulators	159
	Modular Lubricators.....	160
	Modular Filter Regulators	160
	Modular Combination Units.....	161
	Modular Accessories	162
	Standard-Duty Filter and Regulator Packages	164
	Standard-Duty Regulators.....	165
	Standard-Duty Air Pressure Gauges	165
	Standard-Duty Filters	166
	Standard-Duty Lubricators	166
	Standard-Duty Accessories.....	167
SECTION 9:	Single-Point Lubricators.....	168
	Single-Point Lubricators.....	169
	Visi-Lube Automatic Lubricator.....	172
	Automatic Pressure Cup.....	172
SECTION 10:	Lubrication Accessories	173
	Tie-Down Kits	173
	Drum Nests.....	173
	Dollies & Hand Trucks.....	174
	Lube Cart.....	175
SECTION 11:	Example Product Configurations.....	176
	Shop Systems	177
	Lube Cart.....	180
	Tote-A-Hose System with Heavy-Duty Pump.....	181
	Grease Pump Systems with Heavy-Duty Reel	182
	Medium-Pressure Oil Pump & Reel System.....	184
	Used Fluid Systems.....	186
SECTION 12:	Pump Performance Charts	187
SECTION 13:	Motor/Tube Chemical Combinations	201
SECTION 14:	Index	203



Lubrication Fittings

Introduction

As the inventor of the zerk, Alemite knows what it takes to produce a quality lubrication fitting to meet your lubrication needs. Our standard and metric fittings are manufactured to the highest quality standards and are made from the highest-grade materials. Alemite's patented CHAPS[®] System ensures fittings are stronger, more durable and easier to use.

Alemite offers a complete line of lubrication fittings to meet the requirements of virtually every market. Alemite is also the only source for Monel fittings and has the **capability to custom design and produce whatever fitting you need.**

Alemite has fittings that conform to SAE J534 and TSI 6949 standards.

Fittings are available in blister packs as well as bulk quantities. Individual fittings must be purchased in minimum quantities of 50.

Many fittings will meet RoHS requirements by January 2007. Please contact customer service at 1-800-822-4579 for inquiries about specific fittings.

Lubrication Fittings

General Information

6

Alemite Lubrication Fittings include:

Determining Pipe Thread Sizes	3
1/4"-28 Taper Thread.....	4
1/4"-28 Straight Thread.....	5
1/8" PTF.....	6
1/4" PTF.....	8
1/4"-28 and 1/8" Thread Forming.....	9
Drive.....	11
Metric	14
British Standard Pipe Threads.....	15
Monel	16
Stainless Steel	17
Standard Button Head.....	18
Giant Button Head	19
Relief.....	20
Flush Type	21
Pin Type.....	22
Hydraulic Shut-Off.....	23
Leakproof	24
Vents	25
Breathers.....	26
Special Thread.....	27
Rivet.....	28
Assortments.....	29
Header Blocks.....	32
See Also:	
Lubrication Fittings Accessories.....	33



Lubrication Fittings

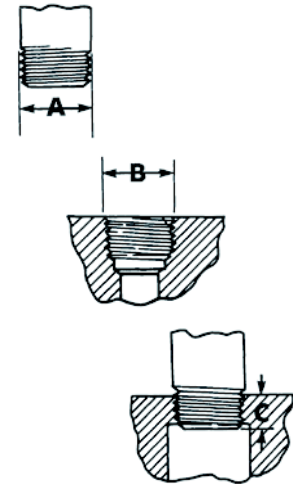
How to Determine Pipe Thread Sizes

Step 1:

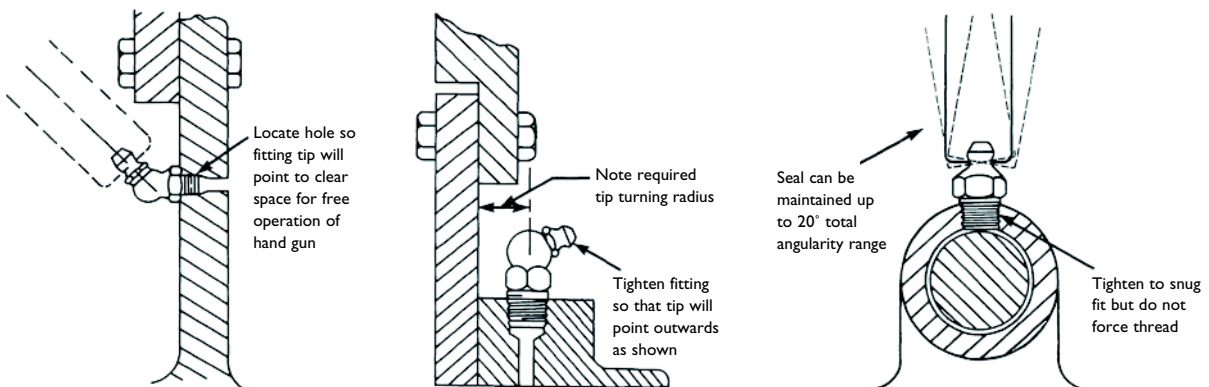
Male Threads: Measure outside diameter of large portion of thread at **A**. Find figure nearest this dimension in column I of the chart. Nominal pipe thread size can be found in corresponding row in column II.

Female Threads: Measure outside diameter of thread at **B**. Find figure nearest this dimension in column I of chart. Nominal pipe (or pipe thread) size can be found in corresponding row in column II.

I Outside Diameter		II	Normal Engagement for Tight Joint (Dimen. "C")	Number of Threads per Inch
Approx. (Fraction)	Actual (Decimal)	Nominal Size (P.T.)		
13/32"	.405"	1/8"	1/4"	27
35/64"	.560"	1/4"	3/8"	18
43/64"	.675"	3/8"	3/8"	18
27/32"	.840"	1/2"	1/2"	14
1-3/64"	1.050"	3/4"	9/16"	14
1-5/16"	1.315"	1"	11/16"	11-1/2
1-21/32"	1.660"	1-1/4"	11/16"	11-1/2
1-29/32"	1.900"	1-1/2"	11/16"	11-1/2
2-3/8"	2.375"	2"	3/4"	11-1/2



Step 2:



American National Pipe Thread Code

- PTF** SAE short taper pipe thread
- NPTF** American National taper pipe thread for Dryseal pressure-tight joints
- NPSM** American National straight pipe thread for mechanical joints
- NPSI** American National straight intermediate pipe thread
- BSP** British Standard pipe thread

AS,AS2,AS3 fittings conform to SAE AS3541 I

ASI fittings conform to Boeing BPS-F-219

Lubrication Fittings

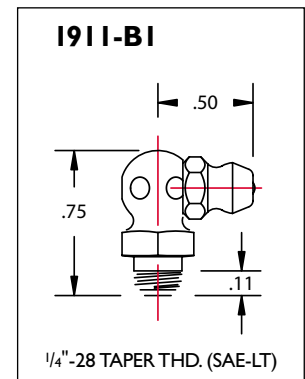
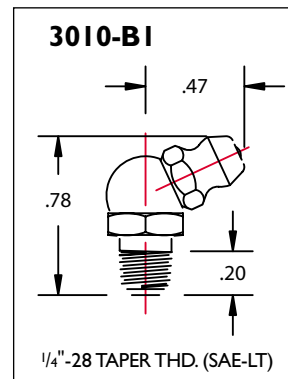
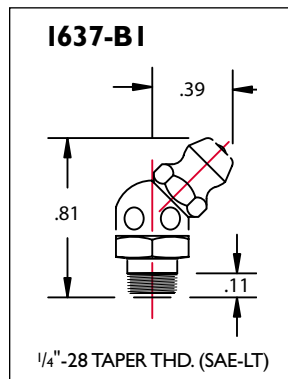
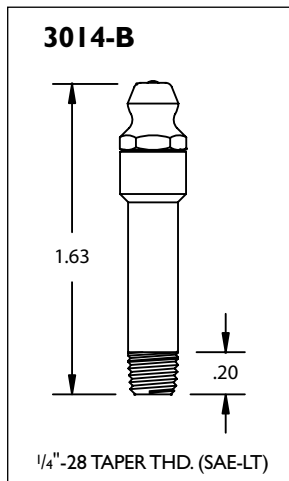
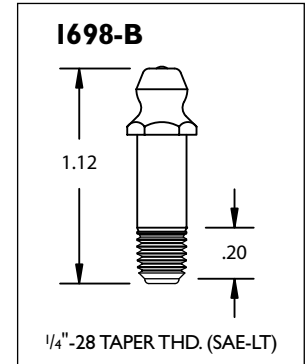
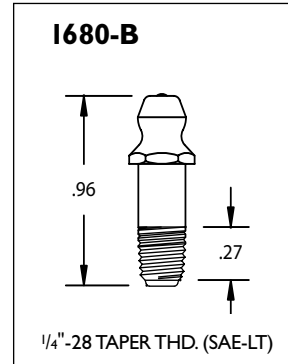
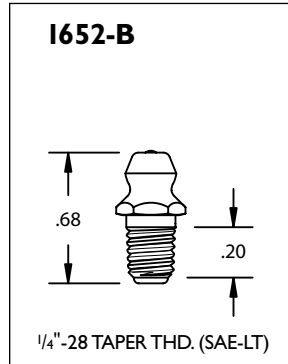
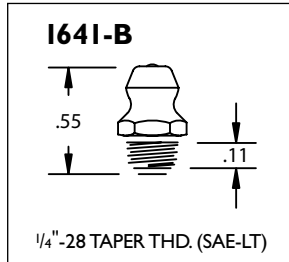
1/4"-28 Taper Thread Fittings

Used on most cars and trucks and many industrial machines. It is recommended that SAE-LT taper threads be assembled into 1/4"-28 UNF, Class 3B, straight threaded holes having a modified maximum minor diameter of 0.2151 in. to insure 75% minimum thread height.

Product #	Type	Overall Length	Shank Length	Hex Size
1641-B	Str.	35/64"	3/16"	5/16"
1652-B	Str.	11/16"	23/64"	5/16"
1680-B	Str.	31/32"	5/8"	5/16"
1698-B	Str.	1-1/8"	25/32"	5/16"
3014-B	Str.	1-5/8"	1"	5/16"
1637-B1	45°	13/16"	13/64"	3/8"
3010-B1	65°	25/32"	19/64"	3/8"
1911-B1	90°	3/4"	13/64"	3/8"
369575	65°	25/32"	5/16"	3/8"
369605*	Str.	35/64"	5/32"	5/16"
369620	65°	11/16"	3/16"	3/8"
369624	Str.	35/64"	3/16"	5/16"

FEATURES:

- Maximum pressure: 8,000 psi
- Exceeds 48-hour salt-spray test
- Dirt-excluding ball check



IMPORTANT INFORMATION

* Hydraulic fitting

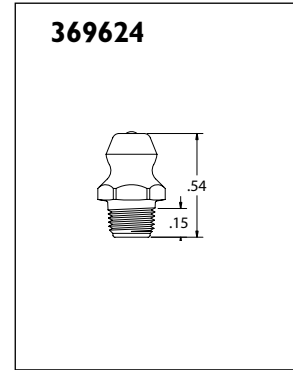
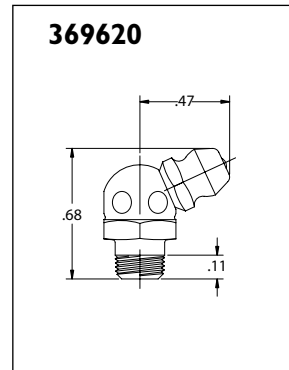
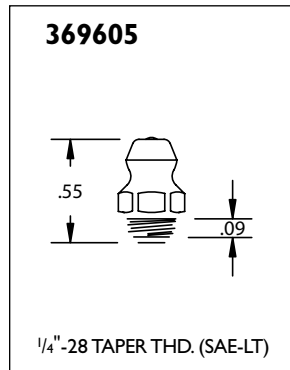
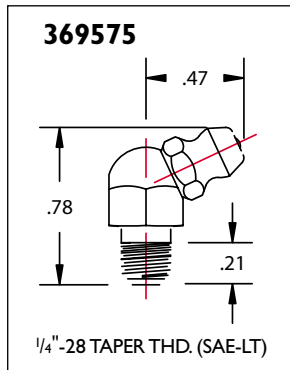
ALL FITTING ILLUSTRATIONS ACTUAL SIZE

WWW.ALEMITE.COM



Lubrication Fittings

1/4"-28 Taper Thread Fittings



IMPORTANT INFORMATION

NOTE: Geometry modifications and alternate materials available on request.

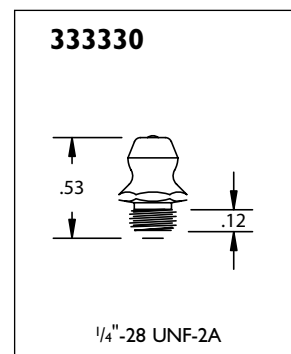
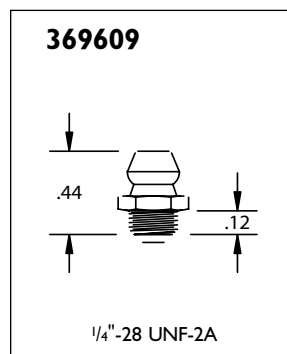
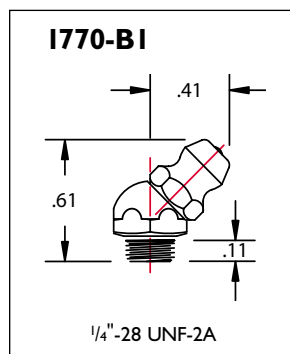
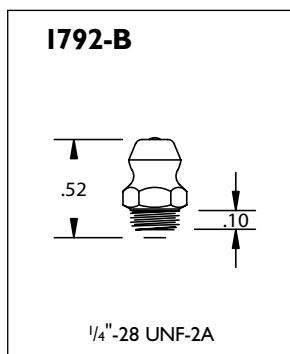
1/4"-28 Straight Thread Fittings

Used on most cars and trucks and many industrial machines.

Product #	Type	Overall Length	Shank Length	Hex Size
1792-B	Str.	33/64"	5/32"	9/32"
1770-B1	45°	39/64"	1/8"	3/8"
369609	Str.	7/16"	1/8"	5/16"
333330	Str.	17/32"	3/16"	17/32"

FEATURES:

- Dirt-excluding ball check
- Maximum pressure: 8,000 psi
- Exceeds 48-hour salt-spray test



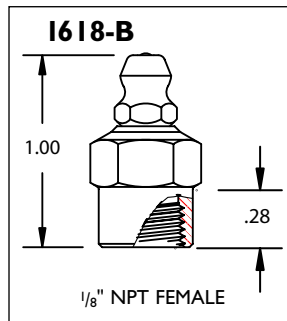
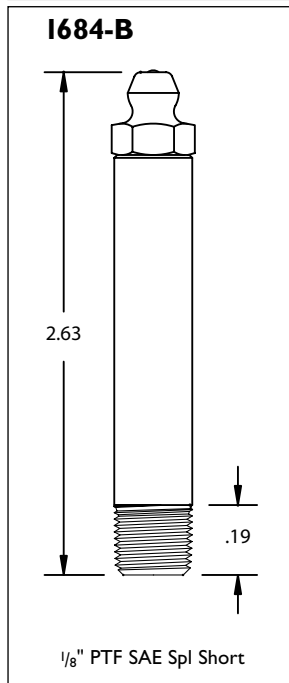
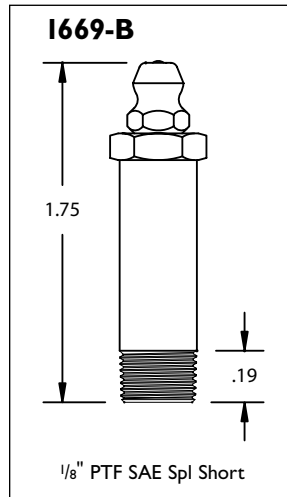
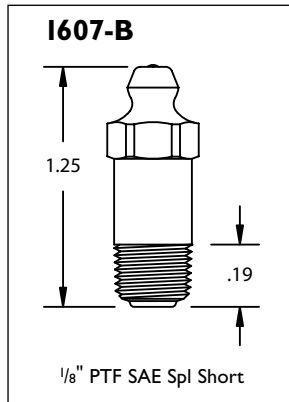
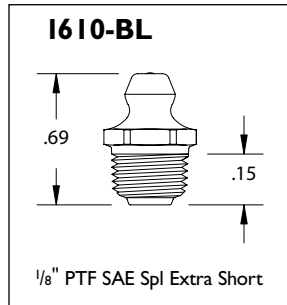
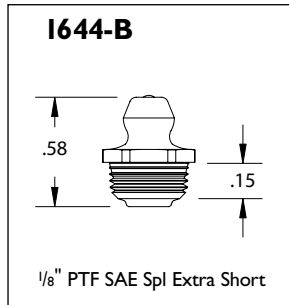
ALL FITTING ILLUSTRATIONS ACTUAL SIZE

1-866-4-ALEMITE

Lubrication Fittings

1/8" PTF Fittings

Used on many industrial machines and heavy equipment.



FEATURES:

- Dirt-excluding ball check
- Maximum pressure: 8,000 psi
- Exceeds 48-hour salt-spray test
- 1958 has specialty cap providing a second seal for dust-proof applications

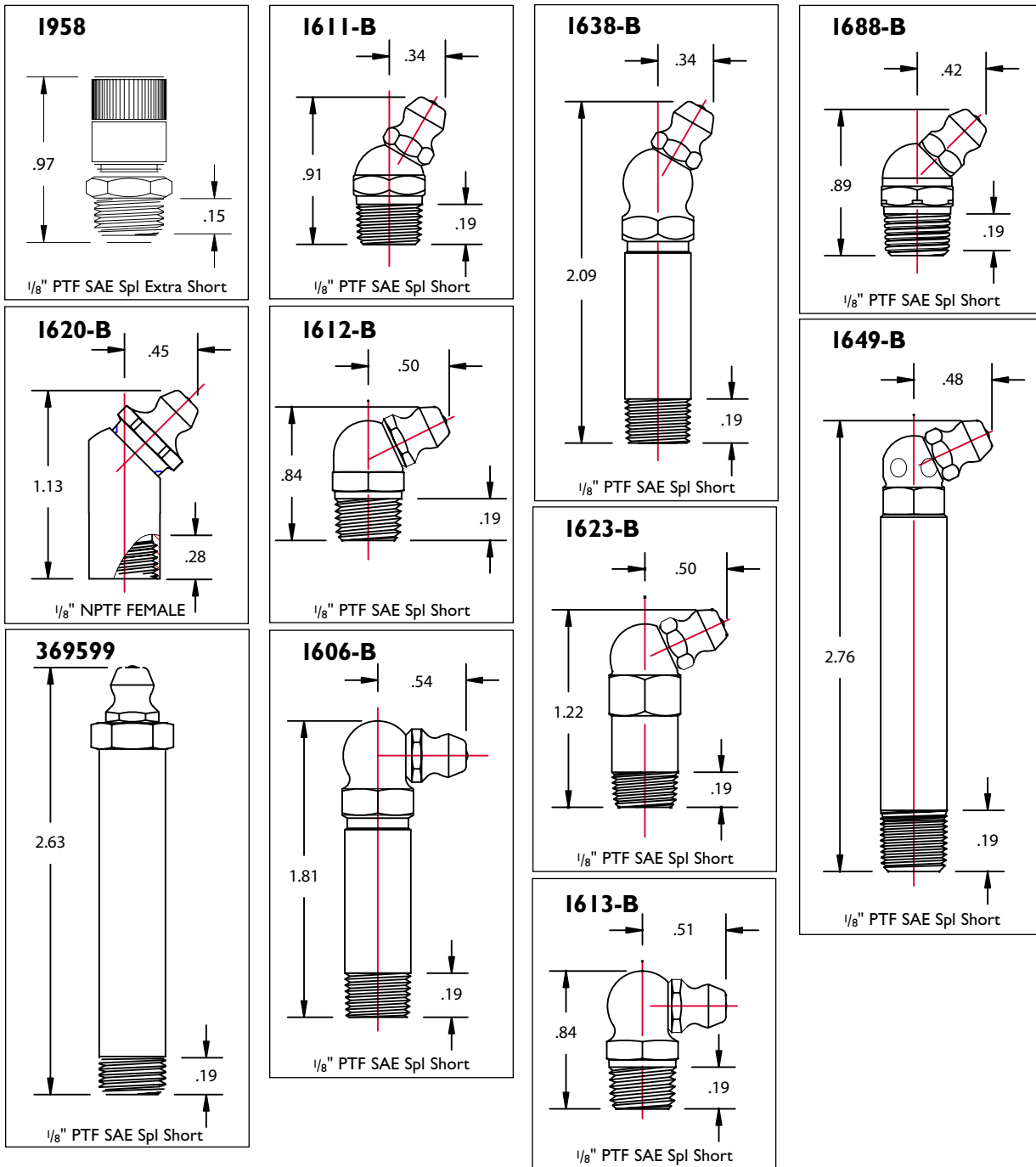
Product #	Type	Overall Length	Shank Length	Hex Size
I644-B	Str.	9/16"	15/64"	7/16"
I610-BL	Str.	11/16"	19/64"	7/16"
I607-B	Str.	1-1/4"	25/32"	7/16"
I669-B	Str.	1-3/4"	1-17/64"	7/16"
I684-B	Str.	2-5/8"	2-3/16"	3/8"
I618-B	Str.	1"	9/32"	1/2"
1958	Str.	31/32"	1/4"	7/16"
I611-B	30°	29/32"	19/64"	7/16"
I638-B	30°	2-3/32"	1-1/4"	7/16"
I688-B	45°	57/64"	19/64"	7/16"
I620-B	45°	1-1/8"	13/32"	7/16"
I612-B	65°	27/32"	19/64"	7/16"
I623-B	65°	1-7/32"	9/16"	7/16"
I649-B	65°	2-3/4"	2-1/4"	3/8"
I613-B	90°	27/32"	19/64"	7/16"
I606-B	90°	1-13/16"	1-1/4"	7/16"
369599	Str.	2-5/8"	7/32"	7/16"
369615	Str.	11/16"	5/16"	7/16"
369608	65°	29/32"	9/32"	7/16"
369574	Double 70°	27/32"	7/32"	1/2"

ALL FITTING ILLUSTRATIONS ACTUAL SIZE



Lubrication Fittings

1/8" PTF Fittings



IMPORTANT INFORMATION

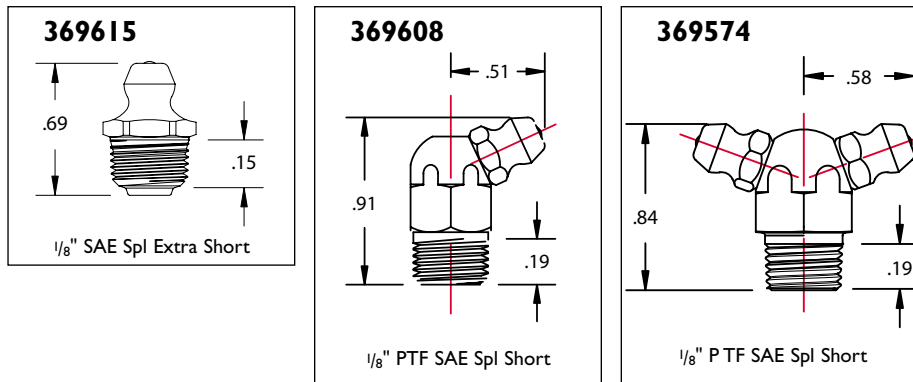
NOTE: Geometry modifications and alternate materials available on request.

ALL FITTING ILLUSTRATIONS ACTUAL SIZE

1-866-4-ALEMITE

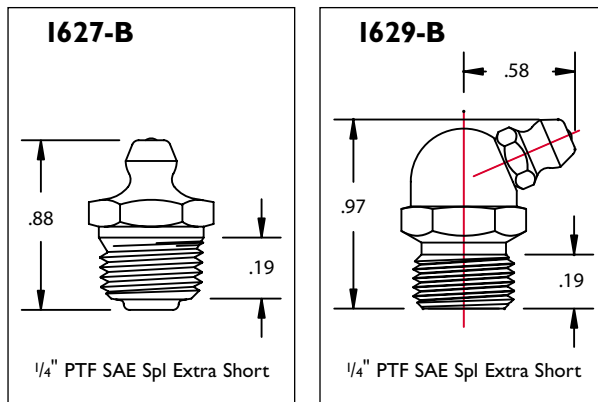
Lubrication Fittings

1/8" PTF Fittings



1/4" PTF Fittings

Widely used for larger bearings on heavy machinery. Recommended for use with heavy lubrications for cold weather applications.



FEATURES:

- Dirt-excluding ball check
- Maximum pressure: 8,000 psi
- Dry seal eliminates need for sealant
- Exceed 48-hour salt-spray test

Product #	Type	Overall Length	Shank Length	Hex Size
1627-B	Str.	7/8"	27/64"	9/16"
1629-B	67.5°	31/32"	11/32"	9/16"

IMPORTANT INFORMATION

NOTE: Geometry modifications and alternate materials available on request.

ALL FITTING ILLUSTRATIONS ACTUAL SIZE

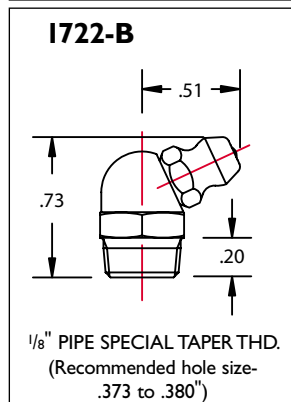
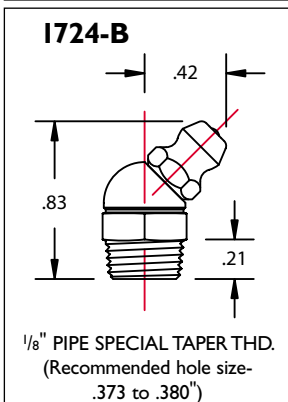
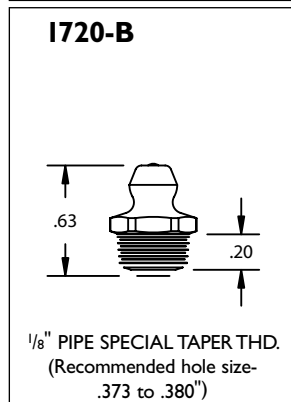
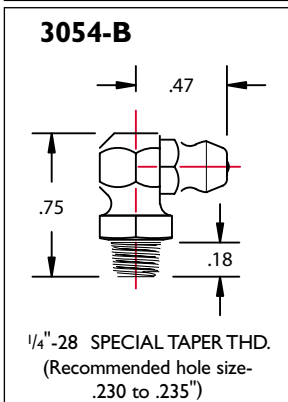
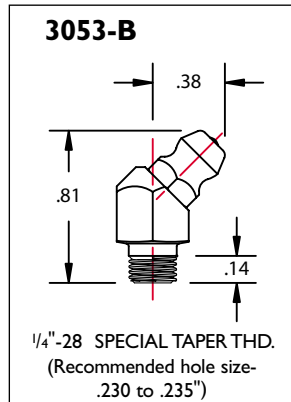
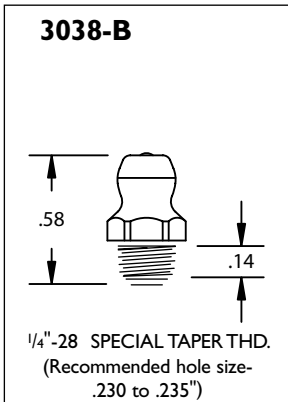
WWW.ALEMITE.COM



Lubrication Fittings

1/4"-28 and 1/8" Thread-Forming Fittings

Thread-forming fittings have special tapered drive threads to reshape the material in an untapped hole to provide a leakproof seal. They are most effectively installed by spinning into the untapped hole, but may be driven straight into the untapped hole. Thread-forming fittings can be replaced by any standard threaded fitting or by another thread-forming fitting.



FEATURES:

- Threads provide strong seal
- Exceeds 72-hour salt-spray test
- Maximum pressure: 8,000 psi

Product #	Thread	Type	Hex Size	Hole Size Recommended
3038-B	1/4"-28 Spl. Taper	Str.	5/16"	.230 - .235
3053-B	1/4"-28 Spl. Taper	45°	3/8"	.230 - .235
3054-B	1/4"-28 Spl. Taper	90°	3/8"	.230 - .235
1720-B	1/8" Spl. Taper	Str.	7/16"	.373 - .380
1724-B	1/8" Spl. Taper	45°	7/16"	.373 - .380
1722-B	1/8" Spl. Taper	65°	7/16"	.373 - .380
1723-B	1/8" Spl. Taper	90°	7/16"	.373 - .380
369584	1/4"-28 Spl. Taper	Str.	5/16"	.230 - .235
369582	1/4"-28 Spl. Taper	Str.	9/32"	.230 - .235
369607	1/4"-28 Spl. Taper	Str.	5/16"	.230 - .235
369579	1/8"-27 Spl. Taper	Str.	7/16"	.373 - .380

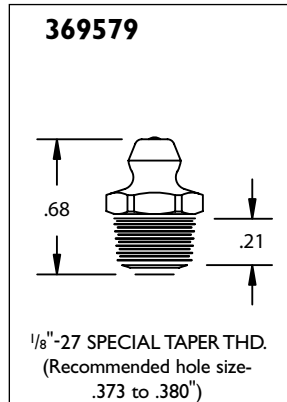
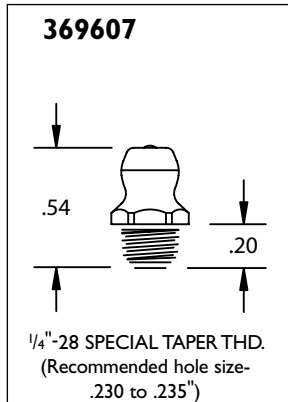
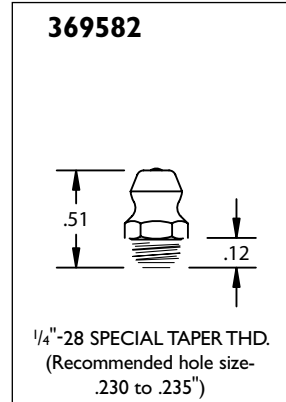
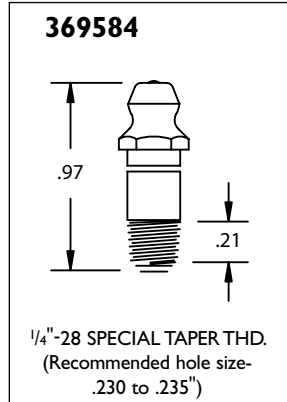
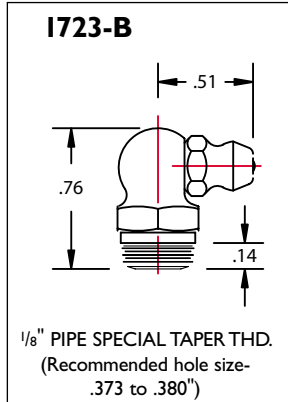
IMPORTANT INFORMATION

NOTE: Geometry modifications and alternate materials available on request.

Lubrication Fittings

1/4"-28 and 1/8" Thread-Forming Fittings

14



IMPORTANT INFORMATION

NOTE: Geometry modifications and alternate materials available on request.

ALL FITTING ILLUSTRATIONS ACTUAL SIZE

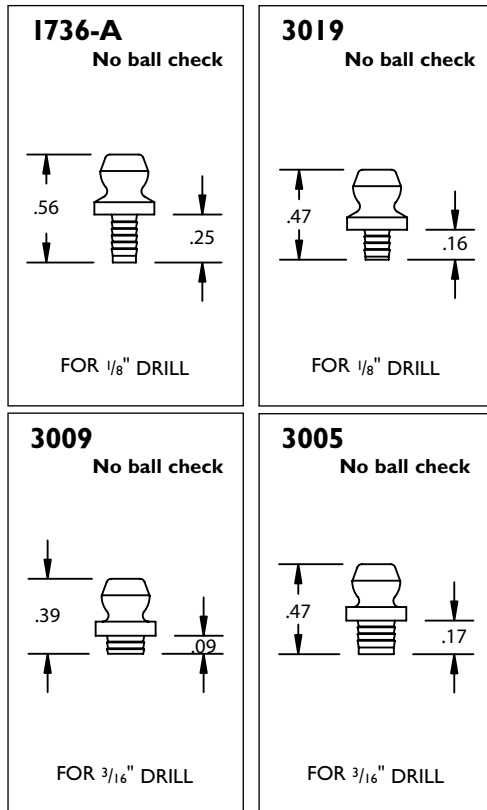
WWW.ALEMITE.COM



Lubrication Fittings

Drive Fittings

Used to avoid tapping costs for a wide variety of applications. Recommended for low- and medium- pressure applications only. Choose tool for straight-type drive fittings or tool for angle-type drive fittings.



FEATURES:

- Used for untapped holes
- Avoids tapping costs
- Serrated shank provides secure, lasting grip
- Simplifies replacement of damaged fittings in old or oversized holes

Product #	Type	Overall Length	Shank Length	Drill Diameter	Ball Check
1736-A	Str.	9/16"	1/4"	1/8"	No
3019	Str.	15/32"	5/32"	1/8"	No
3009	Str.	25/64"	3/32"	3/16"	No
3005	Str.	15/32"	11/64"	3/16"	No
3006	Str.	31/64"	7/32"	3/16"	No
1728-B	Str.	33/64"	1/4"	3/16"	Yes
1633	Str.	5/8"	1/4"	3/16"	No
1743-B	Str.	35/64"	1/4"	1/4"	Yes
321381	Str.	9/16"	17/64"	1/4"	No
1952-A	Str.	15/32"	1/8"	1/4"	No
1608-B	Str.	35/64"	1/4"	5/16"	Yes
1699	Str.	5/8"	7/32"	5/16"	No
1666	Str.	37/64"	7/32"	3/8"	No
1992-B1	45°	53/64"	7/32"	3/16"	Yes
1646-B1	65°	45/64"	7/32"	3/16"	Yes
1744-B1	65°	49/64"	9/32"	1/4"	Yes
1630-B1	65°	45/64"	7/32"	5/16"	Yes
369580	45°	11/16"	3/32"	3/16"	Yes
369591	Str. Drive	21/50"	N/A	3/16"	No
369604	Str. Flush	11/32"	21/64"	1/4"	Yes
369545	65°	37/64"	3/32"	3/16"	Yes
369577	Str.	35/64"	1/4"	1/4"	Yes

IMPORTANT INFORMATION

Actual drill sizes cannot be shown because drilling varies with metal hardness. Drill sizes indicated on drawings are merely a guide. Exact drill size can only be determined by a sample drilling of the actual metal. When drilled to proper tolerance, the serrated edge of the fitting will provide a secure, lasting grip. Geometry modifications and alternate materials available on request.

ALL FITTING ILLUSTRATIONS ACTUAL SIZE

Lubrication Fittings

Drive Fittings

16

<p>3006 No ball check</p> <p>FOR 3/16" DRILL</p>	<p>1728-B</p> <p>FOR 3/16" DRILL</p>	<p>1633 No ball check</p> <p>FOR 3/16" DRILL</p>	<p>1743-B</p> <p>FOR 1/4" DRILL</p>
<p>321381 No ball check</p> <p>FOR 1/4" DRILL</p>	<p>1952-A No ball check</p> <p>FOR 1/4" DRILL</p>	<p>1608-B</p> <p>FOR 5/16" DRILL</p>	<p>1699 No ball check</p> <p>FOR 5/16" DRILL</p>
<p>1666 No ball check</p> <p>FOR 3/8" DRILL</p>	<p>1992-B1</p> <p>FOR 3/16" DRILL</p>	<p>1646-B1</p> <p>FOR 3/16" DRILL</p>	<p>1744-B1</p> <p>FOR 1/4" DRILL</p>
<p>1630-B1</p> <p>FOR 5/16" DRILL</p>	<p>369580</p> <p>FOR 3/16" DRILL</p>	<p>369591 No ball check</p> <p>FOR 3/16" DRILL</p>	<p>369604</p> <p>FOR 1/4" DRILL</p>

IMPORTANT INFORMATION

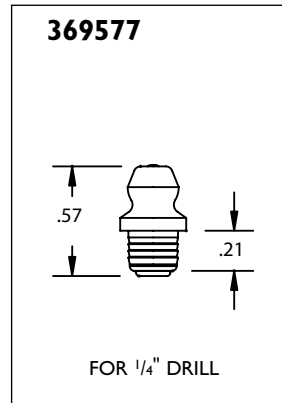
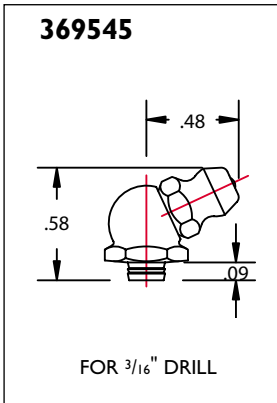
NOTE: Geometry modifications and alternate materials available on request.

ALL FITTING ILLUSTRATIONS ACTUAL SIZE



Lubrication Fittings

Drive Fittings



IMPORTANT INFORMATION

NOTE: Geometry modifications and alternate materials available on request.

Tools for Straight-Type Drive Fittings

These special tools simplify the original installation of drive fittings in untapped holes.



5253

Product #	For Fitting
5253	1633, 1666, 1699, 1720-B, 1736-A, 1952-A, 3005, 3009, 3019, 369591, 369604, 369577
5253-1	1608-B, 1743-B, 3038-B, 321381
5253-2	3006
5253-3	1728-B

Tool for Angle-Type Drive Fittings

This special tool simplifies the original installation of drive fittings in untapped holes.

Product #	For Fitting
5254-1	1630-B1, 1646-B1, 1744-B1, 1992-B1, 1722-B, 1723-B, 1724-B, 369580, 369545

ALL FITTING ILLUSTRATIONS ACTUAL SIZE

Lubrication Fittings

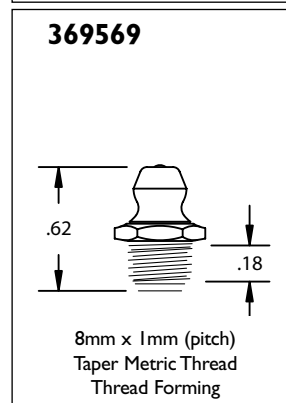
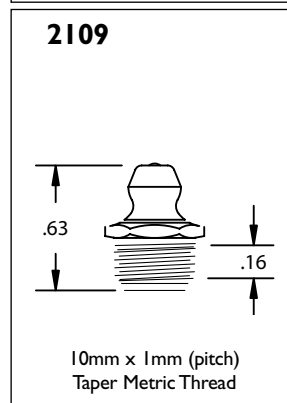
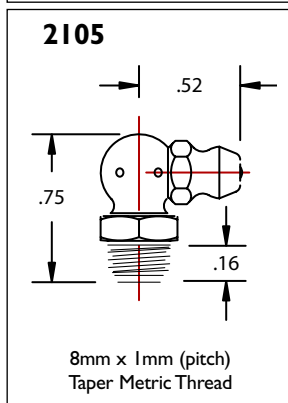
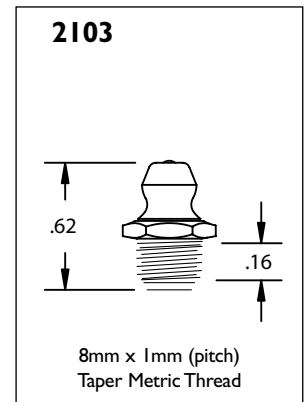
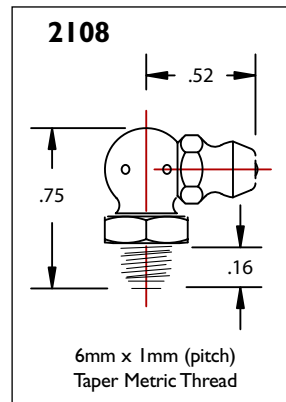
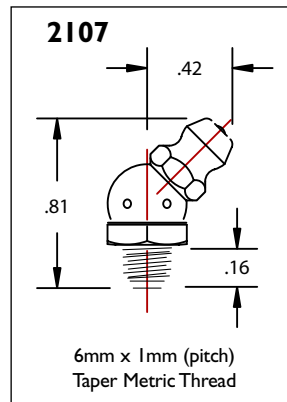
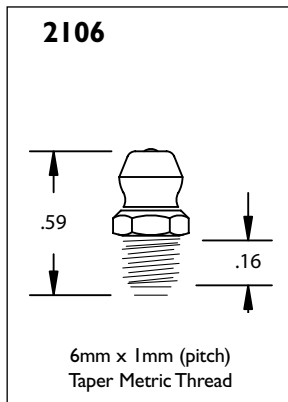
Metric Fittings

Taper metric thread.

Product #	Type	Thread	Overall Length	Shank Length	Hex Size
2106	Str.	6mm x 1mm	19/32"	1/4"	7mm
2107	45°	6mm x 1mm	13/16"	7/32"	10mm
2108	90°	6mm x 1mm	3/4"	7/32"	10mm
2103	Str.	8mm x 1mm	5/8"	1/4"	9mm
2105	90°	8mm x 1mm	3/4"	7/32"	10mm
2109	Str.	10mm x 1mm	5/8"	1/4"	11mm
369569*	Str.	8mm x 1mm	5/8"	1/4"	10mm

FEATURES:

- Maximum pressure: 8,000 psi



IMPORTANT INFORMATION

* Thread-forming fitting

NOTE: Geometry modifications and alternate materials available on request.

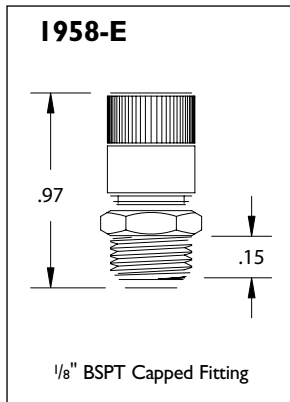
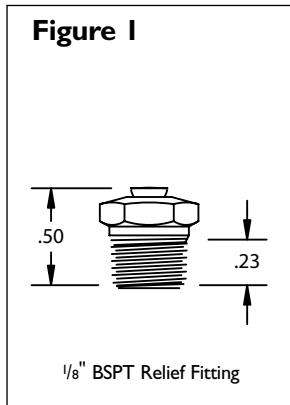
ALL FITTING ILLUSTRATIONS ACTUAL SIZE



Lubrication Fittings

British Standard Pipe Thread Fittings

BSP threads come in two types of threads: BSPP (British Standard Pipe Parallel) and BSPT (British Standard Pipe Taper). The BSPP requires a sealing ring and the BSPT achieves pressure tight joints by the threads alone. Alemite is happy to offer BSPT thread fittings.



Product #	Description	Opening Pressure
317400-E*	1/8" BSPT Relief Fitting	1/4 to 1 psi
47200-E*	1/8" BSPT Relief Fitting	1 to 5 psi
47100-E*	1/8" BSPT Relief Fitting	45 to 80 psi

Product #	Description
1958-E	1/8" BSPT Capped Fitting

IMPORTANT INFORMATION

* Dimensions match Figure 1

ALL FITTING ILLUSTRATIONS ACTUAL SIZE

Lubrication Fittings

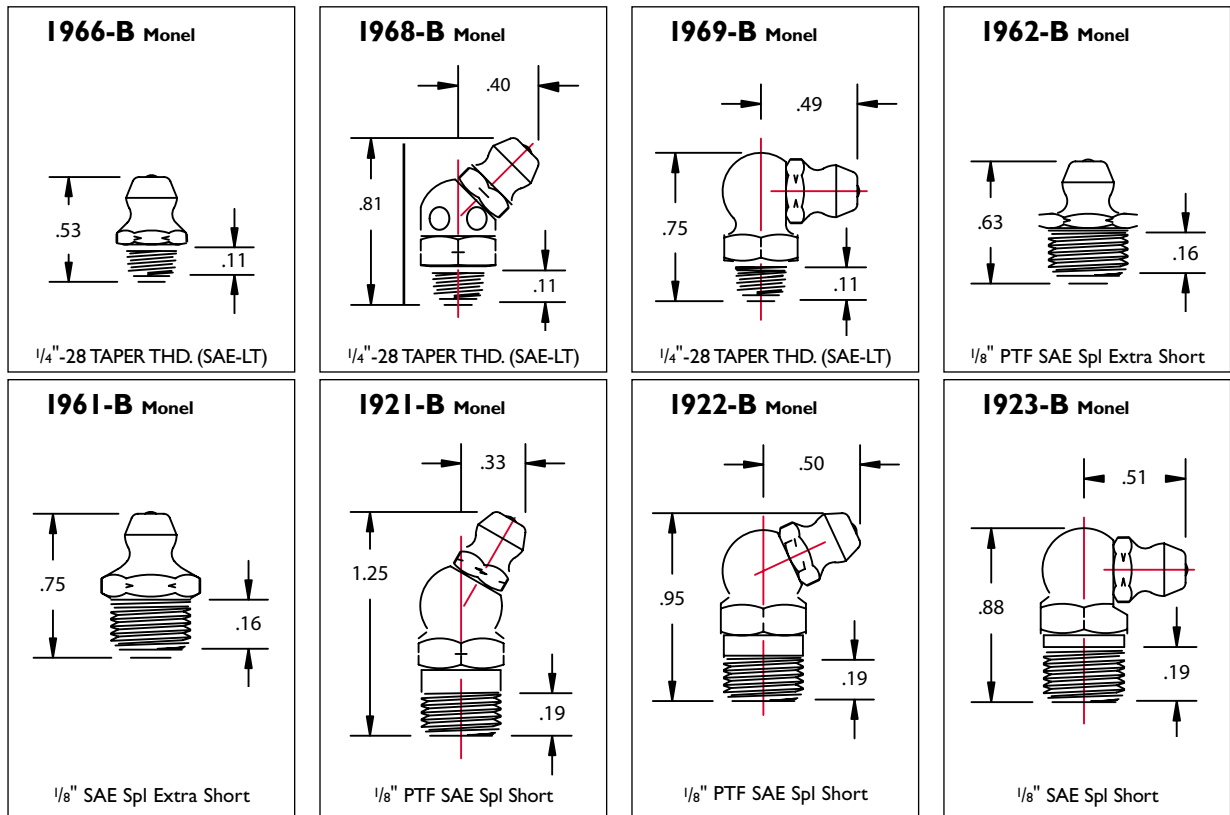
Monel Fittings

Alemite Monel Fittings withstand the most severe marine and industrial corrosive environments. Monel is a nickel/copper alloy that is highly resistant to corrosion. All Monel fittings have a single notch on the hex for easy identification.

Product #	Type	Thread	Overall Length	Shank Length	Hex Size
1966-B	Str.	1/4"-28 Taper	17/32"	3/16"	5/16"
1968-B	45°	1/4"-28 Taper	13/16"	13/64"	3/8"
1969-B	90°	1/4"-28 Taper	3/4"	13/64"	3/8"
1962-B	Str.	1/8" PTF	5/8"	9/32"	7/16"
1961-B	Str.	1/8" PTF	3/4"	5/16"	7/16"
1921-B	30°	1/8" PTF	1-1/4"	11/32"	7/16"
1922-B	67.5°	1/8" PTF	61/64"	11/32"	7/16"
1923-B	90°	1/8" PTF	7/8"	11/32"	7/16"

FEATURES:

- Monel fittings offer even greater corrosion resistance than stainless steel
- Fittings can withstand extreme temperatures ranging from sub-zero to 480°C (896°F)
- Ideal for use in harsh chemical environments and marine applications



ALL FITTING ILLUSTRATIONS ACTUAL SIZE



Lubrication Fittings

Stainless Steel Fittings

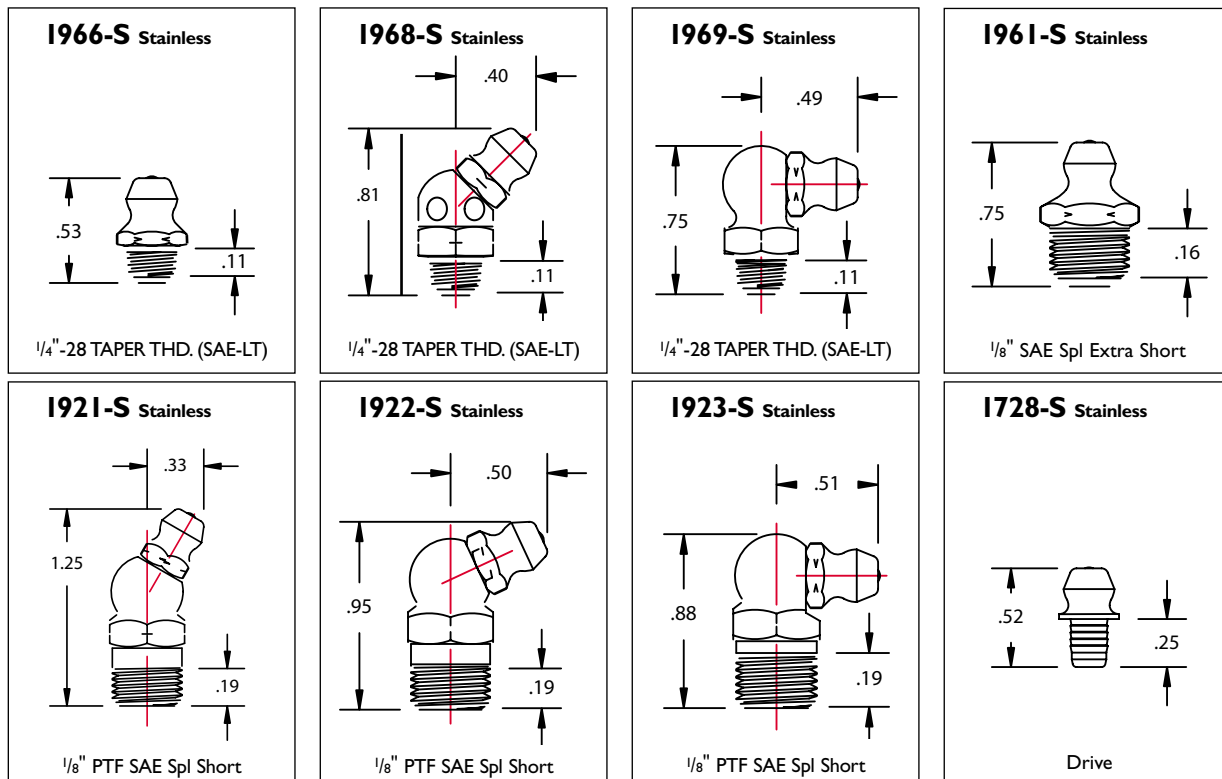
Alemite Stainless Steel Fittings withstand severe marine and industrial corrosive environments. All stainless steel fittings have two notches for easy identification.

21

Product #	Type	Thread	Overall Length	Shank Length	Hex Size
1966-S	Str.	1/4"-28 Taper	17/32"	3/16"	5/16"
1968-S	45°	1/4"-28 Taper	13/16"	13/64"	3/8"
1969-S	90°	1/4"-28 Taper	3/4"	13/64"	3/8"
1961-S	Str.	1/8" PTF	3/4"	5/16"	7/16"
1921-S	30°	1/8" PTF	1-1/4"	11/32"	7/16"
1922-S	67.5°	1/8" PTF	61/64"	11/32"	7/16"
1923-S	90°	1/8" PTF	7/8"	11/32"	7/16"
1728-S	Str.	Drive	33/64"	5/16"	5/16"

FEATURES:

- Stainless steel fittings offer greater corrosion resistance than traditional carbon steel
- Fittings can withstand extreme temperatures ranging from sub-zero to 480°C (896°F)
- Ideal for use in harsh chemical environments and marine applications
- Stainless steel fittings are comprised of Type 303 stainless for fitting bodies, Type 440 stainless for balls and Type 302 stainless for tempered springs



ALL FITTING ILLUSTRATIONS ACTUAL SIZE

Lubrication Fittings

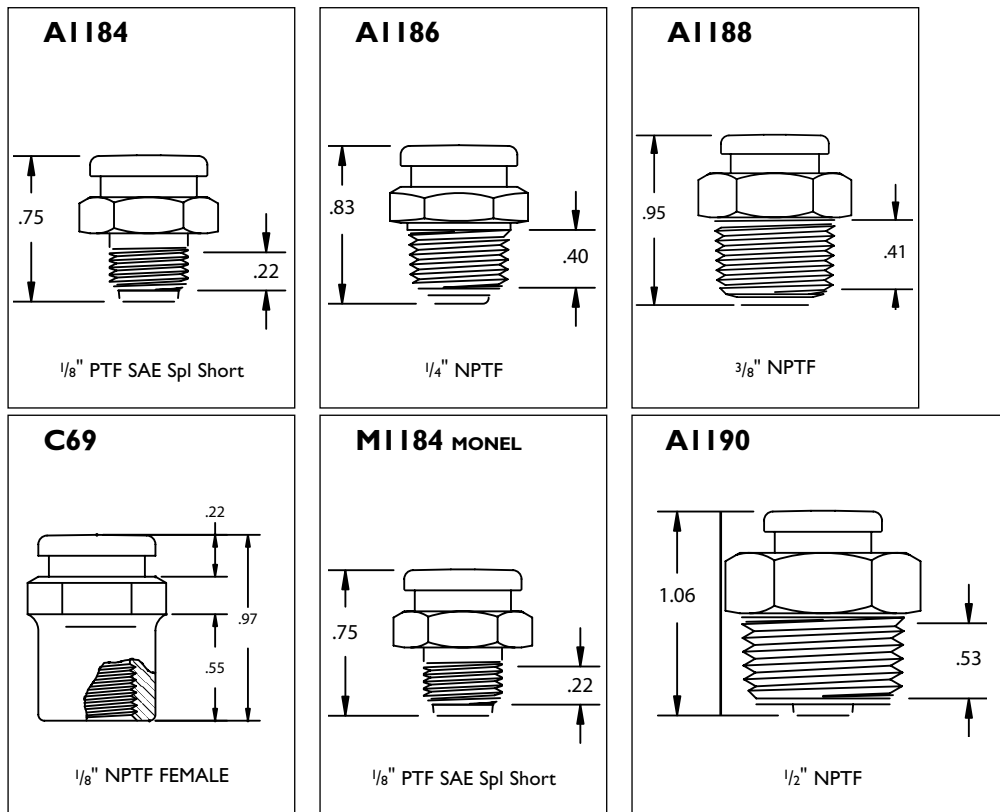
Standard Button Head Fittings

Use in rugged applications such as heavy machinery or construction/off-road equipment.

Product #	Thread	Overall Length	Shank Length	Hex Size
A1184	1/8" PTF	3/4"	11/32"	5/8"
A1186	1/4" NPTF	53/64"	27/64"	5/8"
A1188	3/8" NPTF	61/64"	31/64"	3/4"
A1190	1/2" NPTF	1-1/16"	35/64"	7/8"
C69	1/8" NPTF(f)	31/32"	13/32"	5/8"
M1184*	1/8" PTF	3/4"	11/32"	5/8"

FEATURES:

- Head size helps to minimize breakage
- Helps to reduce dirt contamination
- Maximum pressure: 6,000 psi



IMPORTANT INFORMATION

* Non-corrosive Monel

NOTE: Geometry modifications and alternate materials available on request.

ALL FITTING ILLUSTRATIONS ACTUAL SIZE



Lubrication Fittings

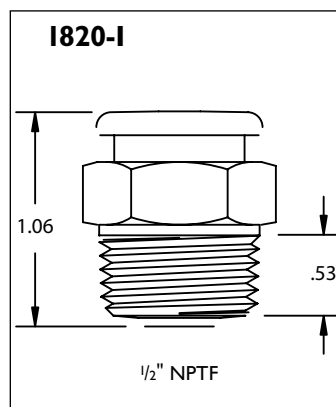
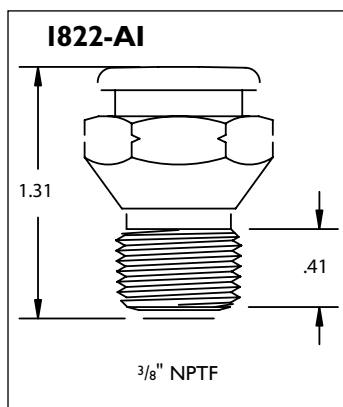
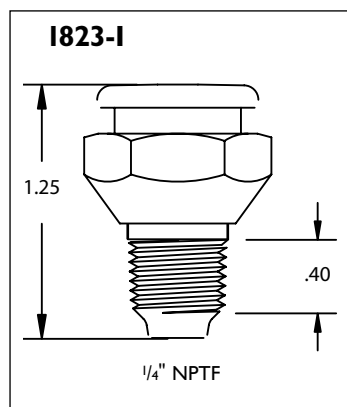
Giant Button Head Fittings

Largest head fitting available for extreme applications.

Product #	Thread	Overall Length	Shank Length	Hex Size
1823-1	1/4" NPTF	1-1/4"	1/2"	7/8"
1822-A1	3/8" NPTF	1-5/16"	9/16"	7/8"
1820-1	1/2" NPTF	1-1/16"	1/2"	7/8"

FEATURES:

- Head size helps to minimize breakage
- Maximum pressure: 15,000 psi
- Check valve helps to reduce contamination



IMPORTANT INFORMATION

NOTE: Geometry modifications and alternate materials available on request.

ALL FITTING ILLUSTRATIONS ACTUAL SIZE

1-866-4-ALEMITE

Lubrication Fittings

Relief Fittings

Use on gearbox housings and bearings (such as king pins, universal joints, etc.) where excessive lubrication pressure is not desirable.

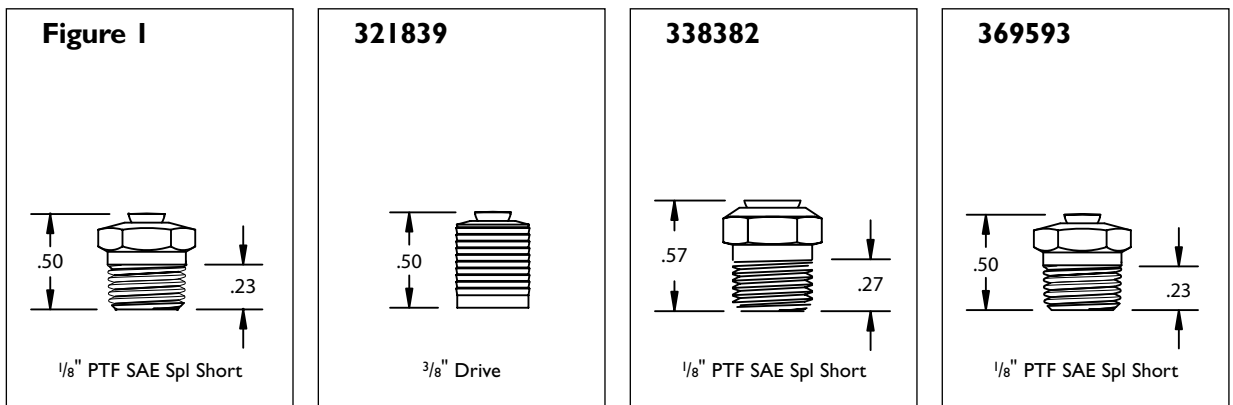
Product #	Relief Pressure		Thread
	Min.	Max.	
317400 Δ	.25 psi	1 psi	1/8" PTF SAE SPL Short
47200 Δ	1 psi	5 psi	1/8" PTF SAE SPL Short
47640 Δ	7.5 psi	15 psi	1/8" PTF SAE SPL Short
323060 Δ	15 psi	25 psi	1/8" PTF SAE SPL Short
47100 Δ	45 psi	80 psi	1/8" PTF SAE SPL Short
50500 Δ	400 psi	650 psi	1/8" PTF SAE SPL Short
321839*	1 psi	5 psi	3/8" Drive
338382**	80 psi	140 psi	1/8" PTF SAE SPL Short
369593	100 psi	200 psi	1/8" PTF SAE SPL Short

FEATURES:

- Fittings open at pre-determined pressures as shown
- Fittings can be used with either grease or oil
- 321839 is a drive fitting (3/8" drill)
- 338382 is leakproof (1/8" PTF)

RECOMMENDED ACCESSORY:

- 1/8" - 1/4" Bushing (45120) p.35



IMPORTANT INFORMATION

Δ Dimensions match figure 1

* Drive Fitting (3/8" Drill)

** Leakproof (1/8" PTF)

NOTE: Geometry modifications and alternate materials available on request.

ALL FITTING ILLUSTRATIONS ACTUAL SIZE

WWW.ALEMITE.COM



Lubrication Fittings

Flush Type Fittings

Use for applications where protruding fittings cannot be used, such as line shafting pulleys or revolving bearings.

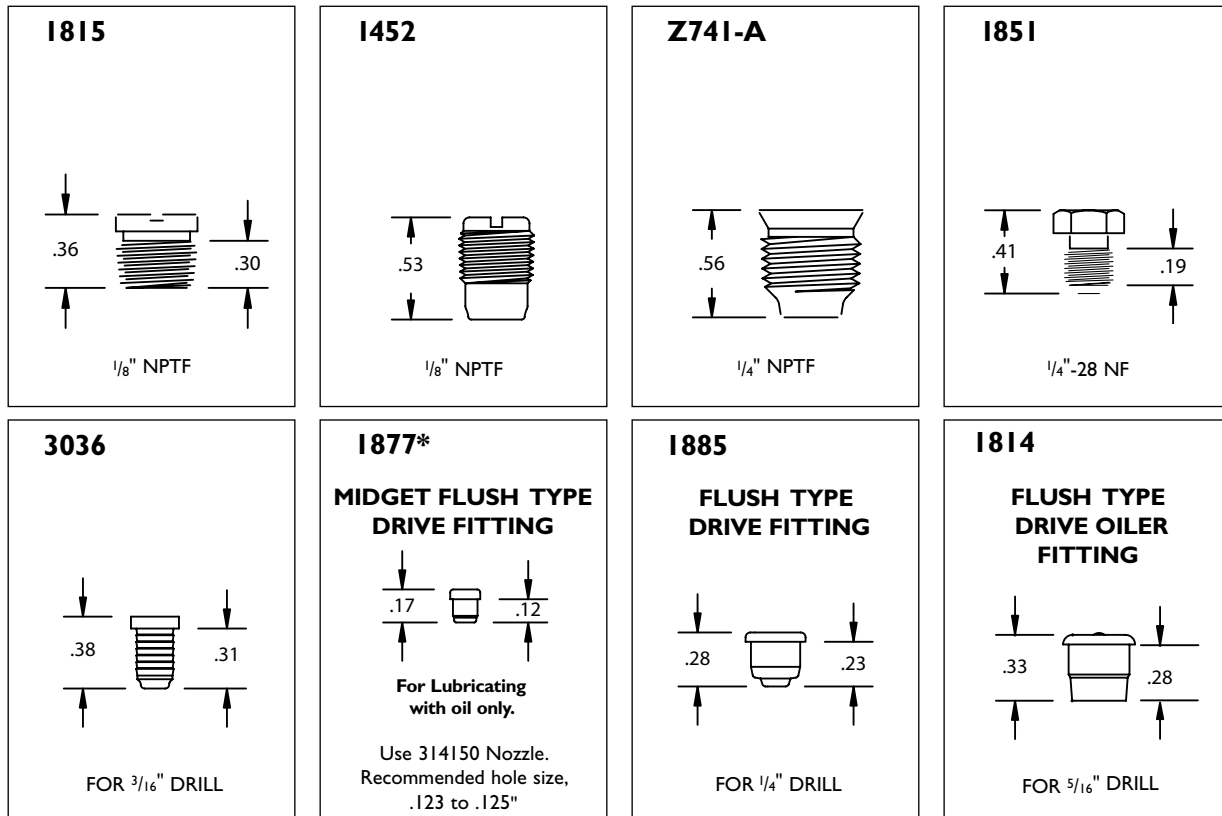
Product #	Type	Thread	Overall Length	Shank Length	Drill Diameter
1815	Slotted	1/8" NPTF	23/64"	19/64"	N/A
1452	Slotted	1/8" NPTF	17/32"	N/A	N/A
Z741-A	Slotted	1/4" NPTF	9/16"	N/A	N/A
1851	Hex	1/4"-28 NF	13/32"	19/64"	N/A
3036	Str.	Drive	3/8"	5/16"	3/16"
1877*	Str.	Drive	11/64"	1/8"	.123"-.125"
1885	Str.	Drive	9/32"	15/64"	1/4"
1814	Str.	Drive	21/64"	9/32"	5/16"
369610	Hex	1/4"-28 NF	27/64"	19/64"	1/4"
326314	Slotted	10/32" UNF	3/8"	15/64"	N/A

FEATURES:

- Fittings sit flush
- Flush-mounting reduces potential for damage
- Fittings can be installed in hard-to-reach areas
- 1814 is a drive-type oiler fitting for use with a standard oil can

RECOMMENDED ACCESSORIES :

Flush Type Nozzle Couplers p.37



IMPORTANT INFORMATION

* 314150 is used on 1877 flush type fitting pg. 37

NOTE: Z737 is used on all standard flush type couplers pg. 37

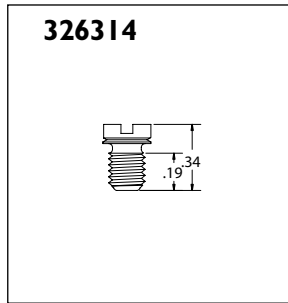
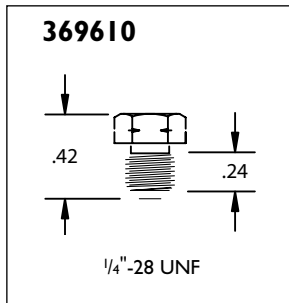
Geometry modifications and alternate materials available on request.

ALL FITTING ILLUSTRATIONS ACTUAL SIZE

1-866-4-ALEMITE

Lubrication Fittings

Flush Type Fittings



IMPORTANT INFORMATION

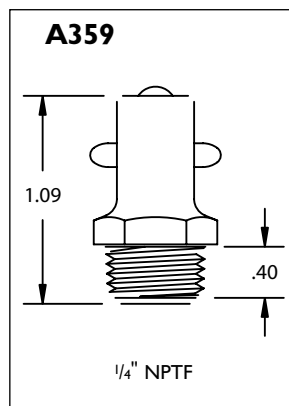
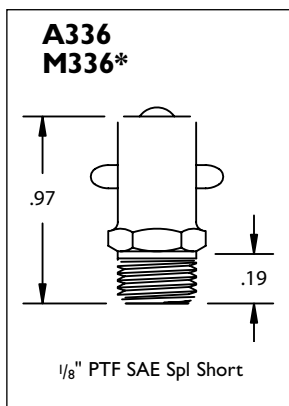
NOTE: Z737 is used on all standard flush type couplers page 37
Geometry modifications and alternate materials available on request.

Pin Type Fittings

Fitting has positive locking action on coupler and cross pin, providing a leakproof connection. M336 has a brass body and ball with a Monel pin.

Product #	Type	Thread	Overall Length	Shank Length	Hex Size
A336	Str.	1/8" PTF	31/32"	17/64"	7/16"
A359	Str.	1/4" NPTF	1-3/32"	5/16"	17/32"
M336*	Str.	1/8" PTF	31/32"	17/64"	7/16"

RECOMMENDED ACCESSORIES:
Pin Type Couplers p. 37



IMPORTANT INFORMATION

* Brass Body and Ball, Monel Pin
NOTE: Geometry modifications and alternate materials available on request.

ALL FITTING ILLUSTRATIONS ACTUAL SIZE



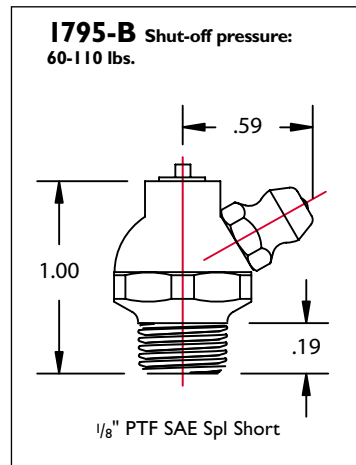
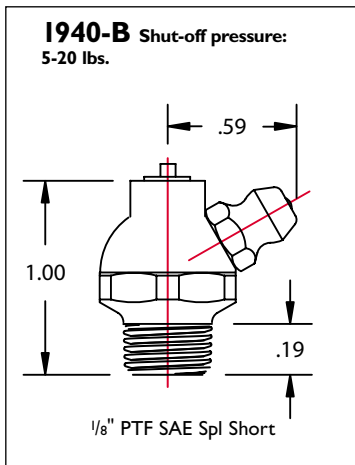
Lubrication Fittings

Hydraulic Shut-Off Fittings

Fittings positively shut off at pressures specified, preventing over-lubrication and blowing out of bearing seals.

27

Product #	Type	Overall Length	Shank Length	Hex Size	Shut-off Pressure
1940-B	60°	1"	17/64"	5/8"	5-20 lb.
1795-B	60°	1"	17/64"	5/8"	60-110 lb.



IMPORTANT INFORMATION

NOTE: Geometry modifications and alternate materials available on request.

ALL FITTING ILLUSTRATIONS ACTUAL SIZE

Lubrication Fittings

Leakproof Fittings

Leakproof fittings have a Buna-N seal instead of a ball check to provide a leakproof seal. To improve reliability of the check valve, keep input passages free of foreign particles. Redundancy of seal should be provided in critical applications where back pressure must be maintained.

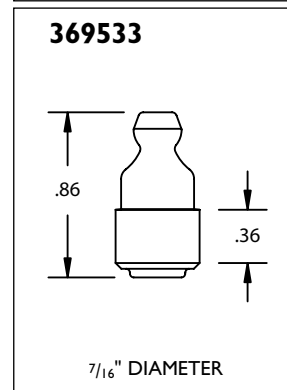
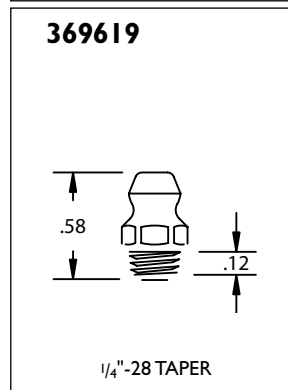
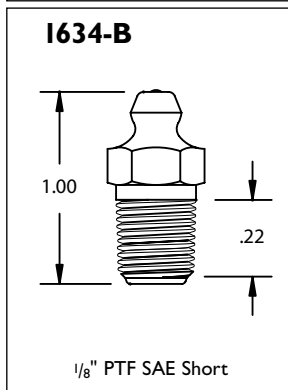
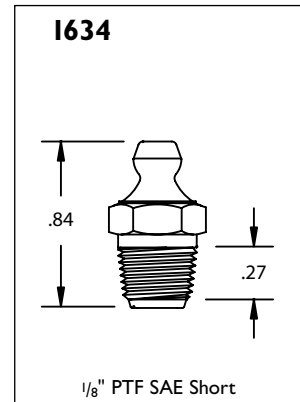
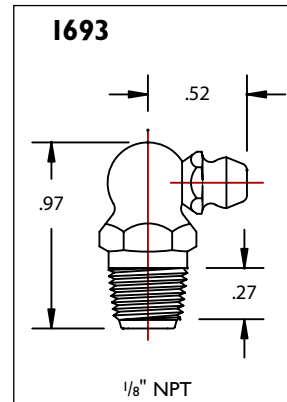
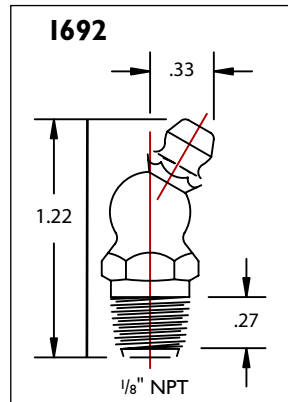
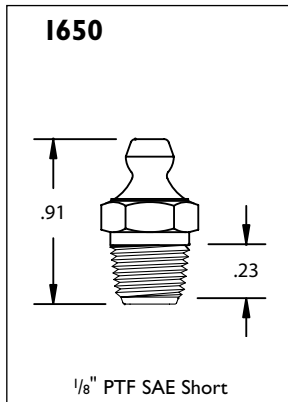
Product #	Type	Thread	Overall Length	Shank Length	Hex Size
1650	Str.	1/8" NPT	29/32"	25/64"	7/16"
1692	30°	1/8" NPT	1-7/32"	25/64"	7/16"
1693	90°	1/8" NPT	31/32"	25/64"	7/16"
1634	Str.	1/8" PTF	27/32"	23/64"	7/16"
1634-B	Str.	1/8" PTF	1"	33/64"	7/16"
369619	Str.	1/4"-28 Taper	37/64"	5/16"	1/4"-28
369533	Str.	7/16" Round	55/64"	N/A	7/16" Round

FEATURES:

- Uses a Buna-N seal instead of a ball check to provide leakproof seal
- Use with light oils and other fluids up to 3,000 psi
- 1634 has a steel ball check and brass insert seats for grease, heavy and medium oils for up to 10,000 psi
- 1634-B has a steel ball check and brass insert seats and includes a dirt-excluding surface ball check up to 10,000 psi

RECOMMENDED ACCESSORY:

- Dust Caps



IMPORTANT INFORMATION

NOTE: Geometry modifications and alternate materials available on request.

ALL FITTING ILLUSTRATIONS ACTUAL SIZE



Lubrication Fittings

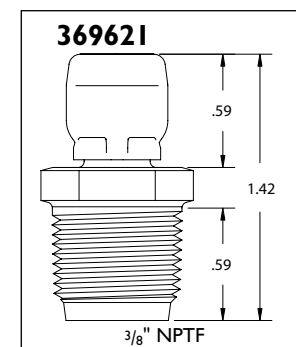
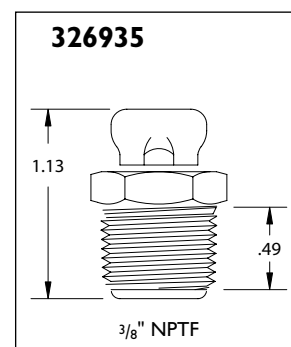
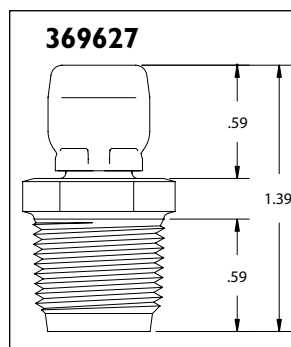
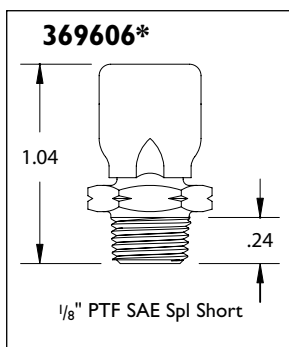
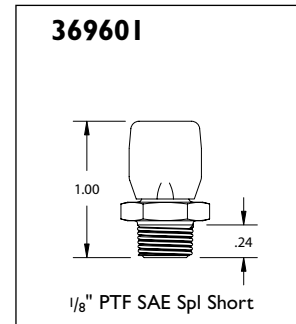
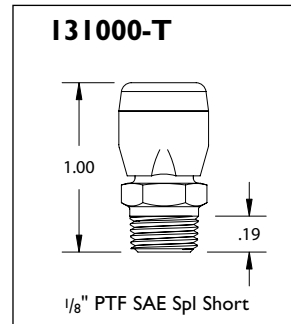
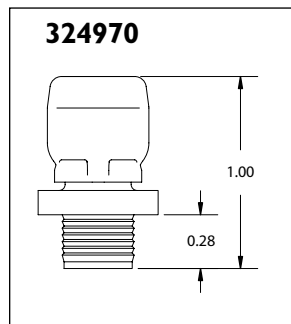
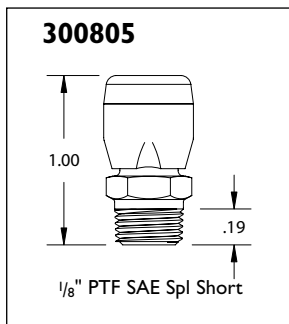
Vents

Use with transmissions, differentials, speed reducers, axles, gear housings, etc. Fitting is placed above normal lubrication level to allow air to escape when internal pressures rise.

Product #	Opening Pressure	Thread
300805	Felt filter	1/8" PTF SAE Short
304810 Δ	1-3" water	1/8" PTF SAE Short
324970	6-12" water	Drive
131000-T	12" water max	1/8" PTF SAE Short
327240 Δ	1 to 1-1/2 psi	1/8" PTF SAE Short
330766 Δ	2-1/2 to 4 psi	1/8" PTF SAE Short
369601	10 to 20 psi	1/8" PTF SAE Short
369606*	1 to 2 psi	1/8" PTF SAE Short
369627	6-12" water	3/8" NPTF
326935	2 to 5 psi	3/8" NPTF
369621	1 to 2 psi	3/8" NPTF

FEATURES:

- Vent opens at designated pressure
- Helps to prevent fluid leakage
- Special cap prevents water or dirt from entering



IMPORTANT INFORMATION

Δ Dimensions same as 131000-T

* Stainless Steel

NOTE: 1" water = .03613 psi. Geometry modifications and alternate materials available on request.

ALL FITTING ILLUSTRATIONS ACTUAL SIZE

Lubrication Fittings

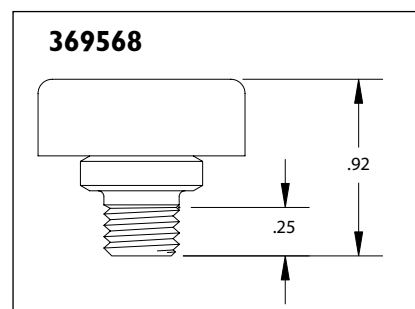
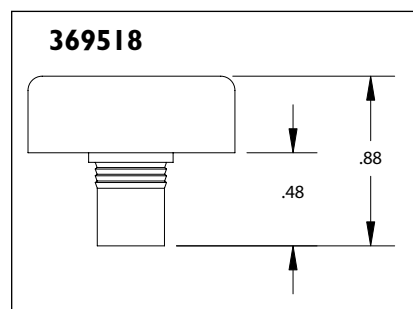
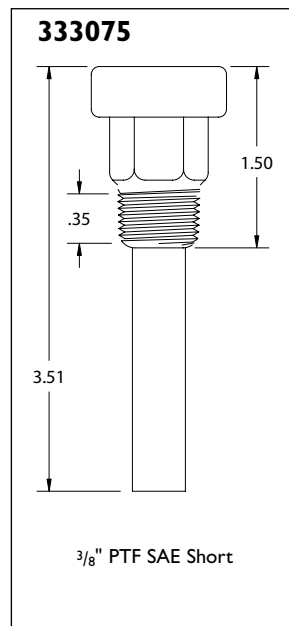
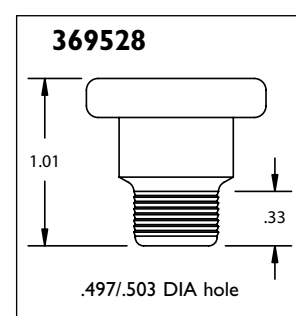
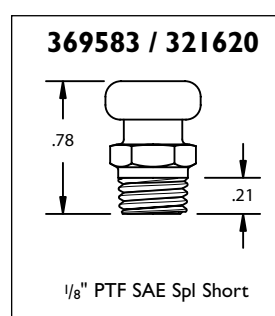
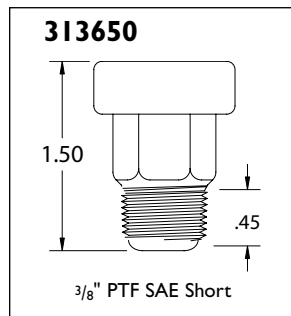
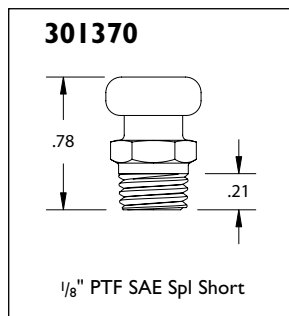
Breathers

Use with transmissions, differentials, speed reducers, axles, gear housings, etc. Breathers help to maintain proper pressures.

Product #	Description	Thread
301370	N/A	1/8" PTF SAE Short
313650	Two Baffles	3/8" PTF SAE Short
369583	Corrosion Resistant	1/8" PTF SAE Short
369528	Press Fit	Goes into .497/.503 DIA hole
333075	N/A	3/8" PTF SAE Short
321620	Zinc Dichormate	1/8" PTF SAE Spl Short
369518	N/A	Drive
369568	Metric	M 10 x 1.5

FEATURES:

- No airflow restrictions
- Breather with felt filters helps reduce dirt contamination



IMPORTANT INFORMATION

NOTE: Geometry modifications and alternate materials available on request.

ALL FITTING ILLUSTRATIONS ACTUAL SIZE

WWW.ALEMITE.COM

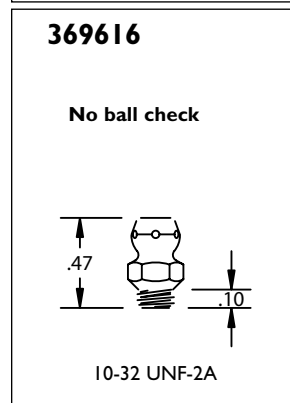
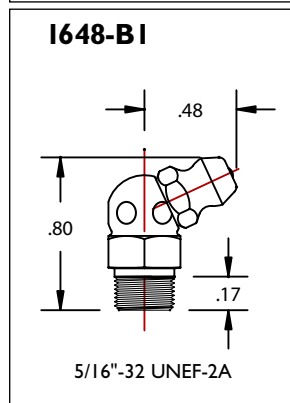
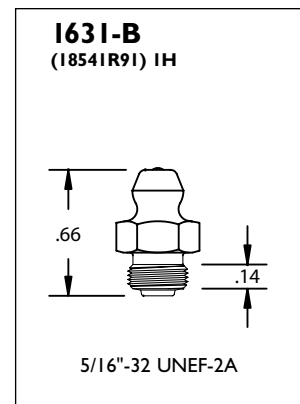
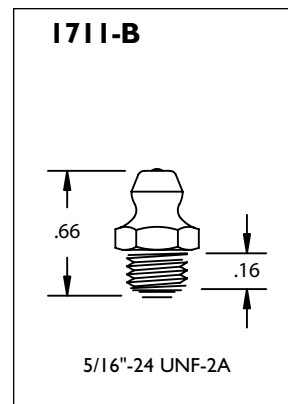
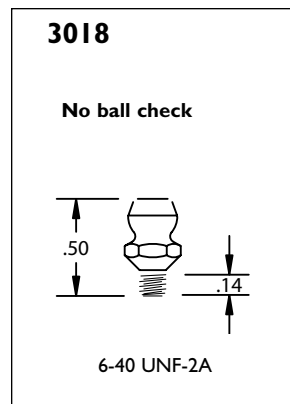
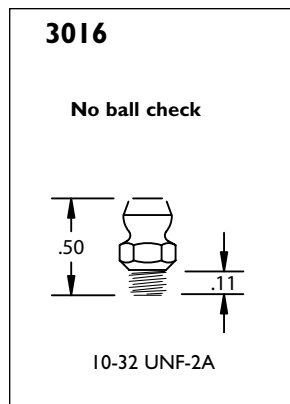


Lubrication Fittings

Special Thread Fittings

Special threads and sizes for special lubrication purposes. All have high-pressure ball check unless otherwise specified.

Product #	Type	Thread	Overall Length	Shank Length	Hex Size
3016*	Str.	10-32 UNF-2A	1/2"	1/8"	1/4"
3018*	Str.	6-40 UNF-2A	1/2"	9/64"	1/4"
1711-B	Str.	5/16"-24 UNF-2A	21/32"	5/32"	3/8"
1631-B	Str.	5/16"-32 UNEF-2A	21/32"	15/64"	3/8"
1648-B1	65°	5/16"-32 UNEF-2A	51/64"	7/32"	3/8"
369616*	Str.	10-32 UNF-2A	15/32"	5/64"	1/4"



IMPORTANT INFORMATION

* No ball check

NOTE: Geometry modifications and alternate materials available on request.

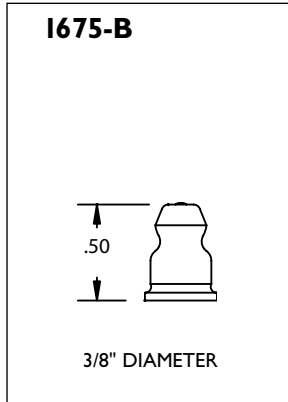
ALL FITTING ILLUSTRATIONS ACTUAL SIZE

1-866-4-ALEMITE

Lubrication Fittings

Rivet Fitting

Recommended for special applications where threaded or drive fittings cannot be used. Commonly used for king pin applications.



Product #	Type	Overall Length	Fitting Diameter	Rivet Diameter
1675-B	Str.	1/2"	3/8"	5/16"

ALL FITTING ILLUSTRATIONS ACTUAL SIZE



Lubrication Fittings

Assortments

A range of Alemite's most popular fittings are available in convenient assortments and blister packages. Boxes and blister packages are ideal for display or for storage shelves.

33

Packaged Hydraulic Fittings Assortments

Individual blister packaged fittings are great for display or easy storage. They contain American standard or metric thread fittings. Each unit pack contains 10 fittings unless otherwise noted.

American Standard Thread Product

B1608-B

B1743-B

B1610-BL

B1611-B

B1612-B

B1613-B

B1627-B*

B1629-B*

B1637-B1

B1641-B

B1688-B

B1911-B1

B1428***

B1827****

Metric Thread Product

B2103

B2105

B2106

B2107

B2108

B2109

B2100** - 9-pc assortment



IMPORTANT INFORMATION

- * B1627-B and B1629-B unit packs contain 5 fittings.
- ** B2100 9-pc assortment contains: (2) 2103, 2105, (2) 2106, 2107, 2108, (2) 2109
- *** B1428 8-pc assortment contains: (4) 1641-B, (2) 1637-B1, (2) 1911-B1
- **** B1827 8-pc assortment contains: (4) 1610-BL, (2) 1613-B, (2) 1688-B