

Flow Sensor FHKSC

Riels Classicline FHKSC is perfectly suited for applications requiring good quality at an attractive price, for instance in coffee machines for home use.

It is installed on the pump's suction side. Its light-weight design and flexible choice of connection position perfectly match manufacturers' requirements.

With millions of units shipped every year, this flow sensor is also extremely reliable: it has a return rate of practically zero.

Technical information

Flow Rate l/min

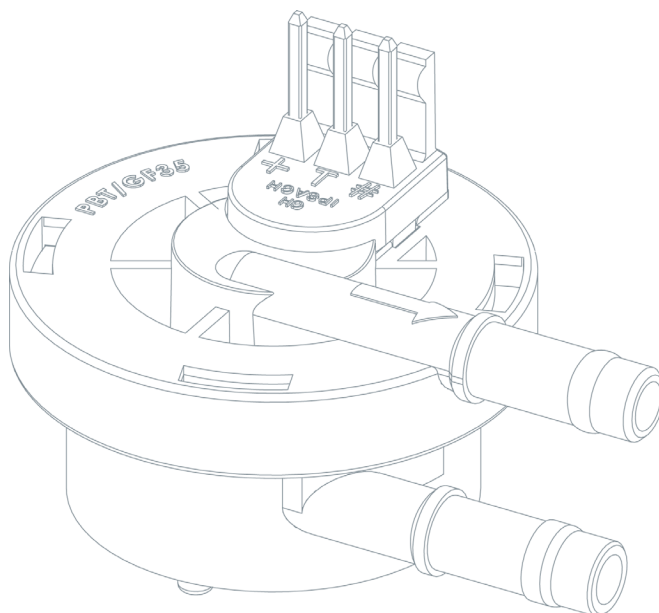
Nozzle	Min	Max
1.0 mm	0.05	0.40
1.2 mm	0.08	0.65
1.8 mm	0.10	1.00
2.0 mm	0.14	1.20

Output Signal: Pulse

Material:

PBT(Armit), PVDF

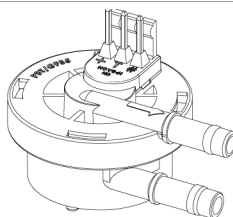
Application examples: Household Coffee Machines, Drink Dispensers, Chemicals



FHKSC STD

FHKSC Chemistry

Housing



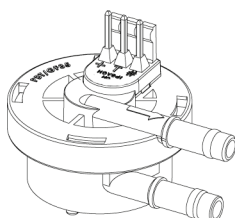
PBT (Arnite)
PVDF

STD
-

-
STD

Process Connection

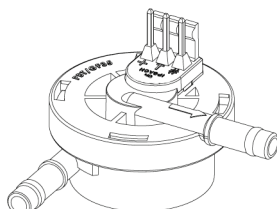
0°



STD

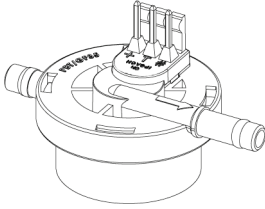
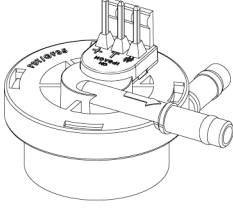
STD

90°

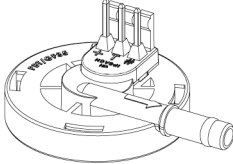


•


•

180°		•	•
270°		•	•

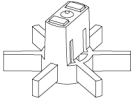
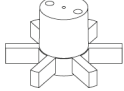
El. Connection

		FHKSC STD	FHKSC Chemistry
20V Pancon Mas-Con		STD	STD
20V Pancon Mas-Con R1,2K		•	•
24V Pancon Mas-Con		•	•
24V Pancon Mas-Con R1,2K		•	•

O-Ring

Silicone		STD	–
EPDM		–	•
FPM (Viton)		–	STD

Turbine

PP 2M		STD	–
PP 2M double impulse		•	–
PVDF 2M		•	–
Chem 2M		–	STD
Chem 4M		–	•

Options

Steam-Stop		•	–
------------	--	---	---

Fixing

		FHKSC STD	FHKSC Chemistry
Fastening pin		STD	STD
catcher, large		•	-
catcher, small		•	-

Tutti i dati ed i contenuti di questa scheda sono di proprietà esclusiva di Riels Instruments