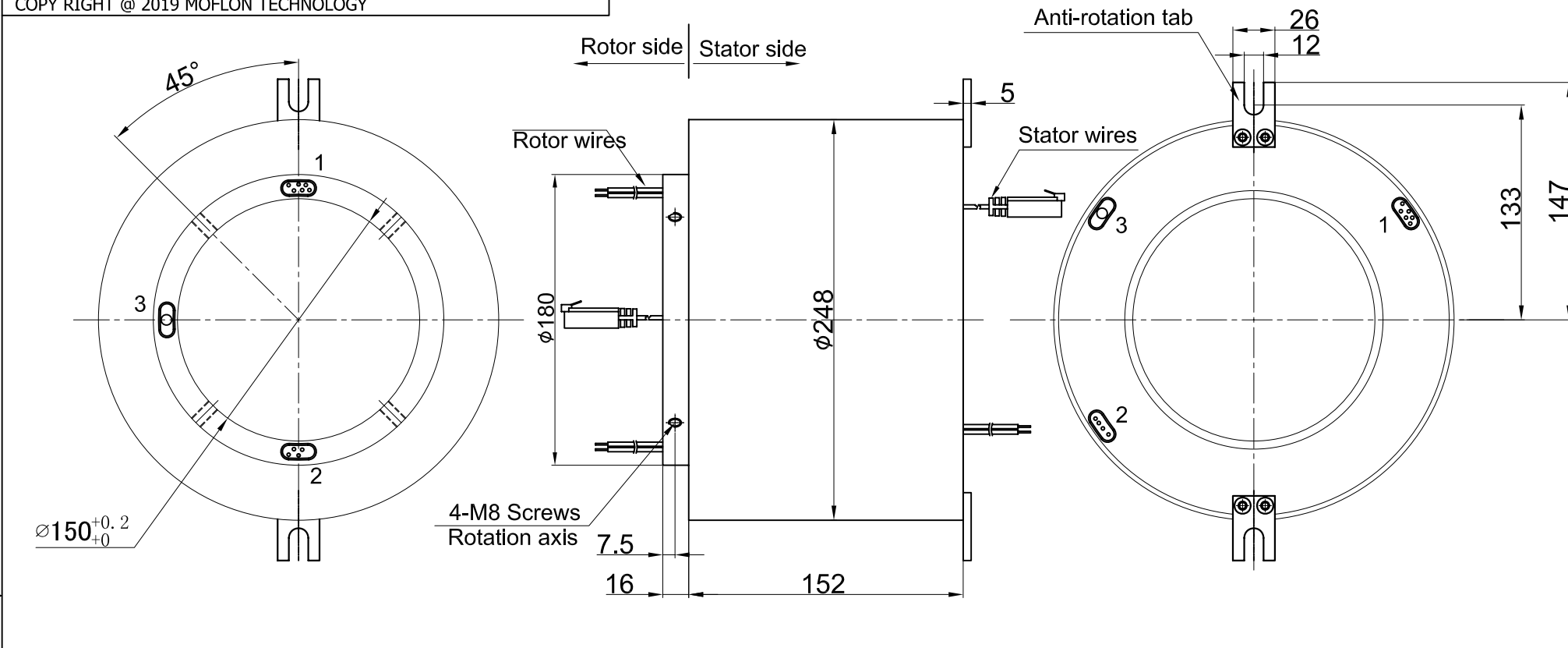
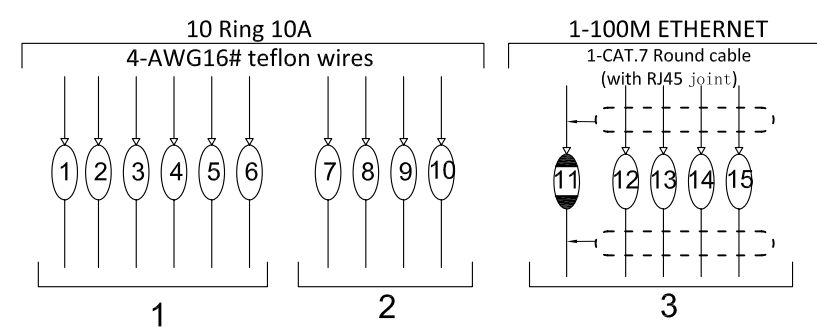


THIS DOCUMENT IS THE PROPERTY OF MOFLON TECHNOLOGY (SHENZHEN) LTD. (HEREAFTER "MOFLON"). IT IS LENT AND IS TO BE RETURNED UPON REQUEST. THE CONTENTS OF THIS DOCUMENT ARE CONFIDENTIAL AND CONSTITUTE TRADE SECRETS PROPRIETARY TO MOFLON. THIS DOCUMENT NOR ITS CONTENTS DOCUMENT NOR ITS CONTENTS SHALL BE DISCLOSED TO ANY UNAUTHORIZED PERSON COPIED OR PUBLISHED WITHOUT MOFLON PRIOR WRITTEN CONSENT.
COPY RIGHT @ 2019 MOFLON TECHNOLOGY

MARK	ECN NO.	Modify	Approve	DATE



Electrical Specification			
1 Rings	15	2 Current	Power module: 10rings, 10A/ring Signal module: 1-100M ETHERNET
3 Voltage	0-300VDC/VAC		
4 Insulation Resistance	800M Ω @600VDC		
5 Electrical noise	Max.10m Ω ;		
6 Dielectric strength	600VAC@50Hz;60S		
Mechanical Specification			
8 Speed	0~100RPM;	9 Torque	Max.1 N.M;
10 Life	Typical: 20million revolutions, but strongly depends on your working conditions		
Environmental adaptability			
11 Working temperature	-20 $^{\circ}$ C~+80 $^{\circ}$ C	12 Storage temperature	-25 $^{\circ}$ C~+85 $^{\circ}$ C
13 humidity	85 \pm 3%(30 $^{\circ}$ C+5 $^{\circ}$ C)		
15 Rush	40g,11ms,Half sine wave, Vertical direction 3 times,Level 3times		
16 IP Class	IP51		
Material/Attachment			
17 Contact Material	Gold-Gold	18 Housing material	ALL Alloy
19 Lead wire	Rotor:10 meters(See wiring diagram) Stator:10 meters(See wiring diagram)		



UNLESS OTHERWISE SPECIFIED		TOLERANCES (EXCEPT AS NOTED)		10 rings 10A + 1-100M ETHERNET	
1.ALL DIMENSIONS ARE IN MM HES BREAK SHARP EDGES & DEBURR		DECIMAL X \pm 1		MODEL MT150248-P1010-01E(Z3460)	
2.MATERIAL&FINISH TO BE AS NOTED OR SUBSTITUTED WITH AN APPROVED AND TESTED EQUIVALENT		XX \pm 03			
FILLETS R.015 FINISH \checkmark		XXX \pm .005			
THIRD ANGLE PROJECTION		FRACTIONAL \pm 1/16		SIZE A	
		ANGULAR \pm 1 $^{\circ}$		REV. A/0	
				SCALE 1:1	
				UNIT mm	
				DWG.NO TTY DATE 2019-05-16	