

5305, 5310 SERIES

Heavy Duty Horizontal Hold Down Clamps | Product Overview

Features:

- Solid clamping arm may be modified to suit requirements
- Hardened steel pivot pins and bushings provide long life
- Black oxide finish
- DESTACO® Toggle Lock Plus™ versions available†

Applications:

- Welding fixtures
- Assembly fixtures
- Light machining



5305/5310
Flanged Base



5305-B/5310-B
Solid Base



5305-R/5310-R
Flanged Base with DESTACO® Toggle Lock Plus™



5305-BRⓘ/5310-BRⓘ
Solid Base with DESTACO® Toggle Lock Plus™



Technical Information

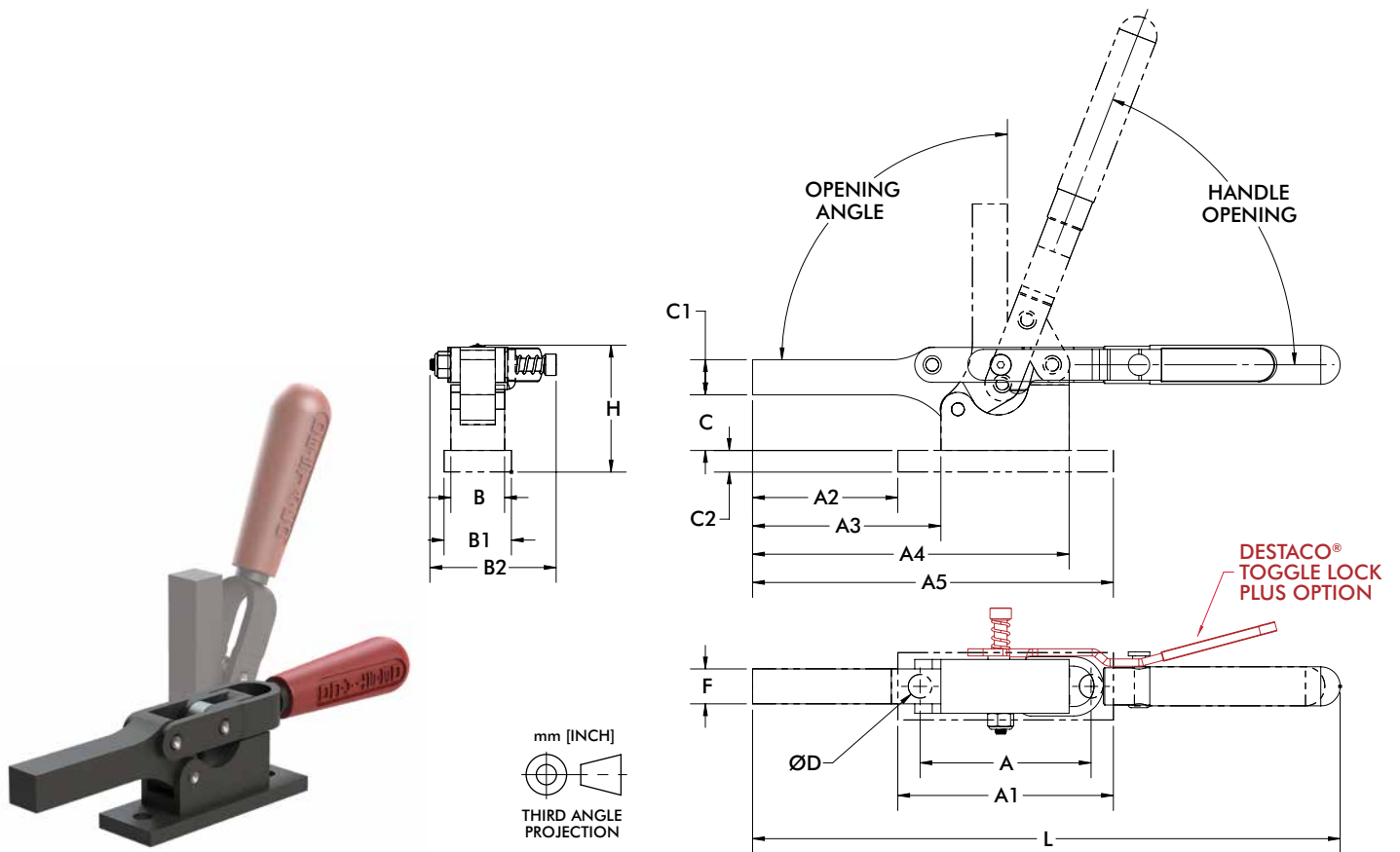
Model	Max. Holding Capacity	Clamp Bar Opening (+10°)	Handle Opening (+10°)	Weight
5305	[600lbf.] 2670N	90°	69°	[1.08lbs] 0,49kg
5305-B				[0.82lbs] 0,37kg
5305-R				[1.09lbs] 0,49kg
5305-BRⓘ				[0.83lbs] 0,37kg
5310	[1300lbf.] 5780N	90°	69°	[2.84lbs] 1,29kg
5310-B				[2.24lbs] 1,02kg
5310-R				[2.87lbs] 1,30kg
5310-BRⓘ				[2.27lbs] 1,03kg

ⓘ This item is available upon request.

† Toggle Lock Plus™ locks the handle in the closed position only.

5305, 5310 SERIES

Heavy Duty Horizontal Hold Down Clamps | Dimensions



Model	A	A1	A2	A3	A4	A5	B	B1	B2	C	C1	C2	D	F	H	L
5305	[2.50]	[3.15]	[2.12]	[2.75]	[4.63]	[5.27]	[0.79]	[0.98]	--	[0.81]	[0.51]	[0.31]	[0.35]	[0.51]	[1.51]	[8.36]
5305-R	63,5	80,0	53,8	69,9	117,6	133,9	20,1	24,9	[1.84] 46,7	20,6	13,0	7,9	8,9	13,0	38,4	212,4
5310	[3.63]	[4.63]	[2.63]	[3.63]	[6.25]	[7.25]	[1.13]	[1.50]	--	[1.00]	[0.75]	[0.31]	[0.41]	[0.79]	[2.00]	[11.13] 282,6
5310-R	92,2	117,6	66,8	92,2	158,8	184,2	28,7	38,1	[2.31] 58,7	25,4	19,1	7,9	10,4	20,1	50,8	[11.02] 279,8

Model	A3	A4	B2	C	C1	F	H	L
5305-B	[2.75]	[4.63]	--	[0.81]	[0.51]	[0.51]	[1.51]	[8.36]
5305-BR ⓘ	69,9	117,6	[1.84] 46,7	20,6	13,0	13,0	38,4	212,4
5310-B	[3.63]	[6.25]	--	[1.00]	[0.75]	[0.79]	[2.35]	[11.13] 282,6
5310-BR ⓘ	92,2	158,8	[2.31] 58,7	25,4	19,1	20,1	59,6	[11.02] 279,8

ⓘ This item is available upon request