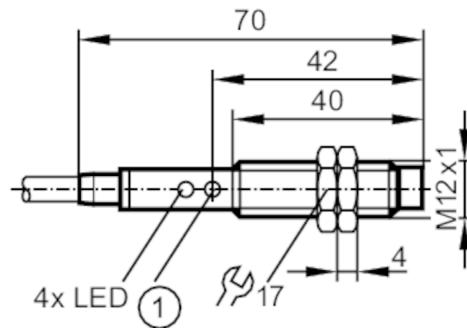


KF5015



Capacitive sensor

KFA3080NBPKG



1 potentiometer



Product characteristics

Electrical design	PNP
Output function	normally open
Sensing range [mm]	8
Housing	Threaded type
Dimensions [mm]	M12 x 1 / L = 70

Electrical data

Operating voltage [V]	10...36 DC; (UL - Class 2 source required)
Current consumption [mA]	< 12
Protection class	III
Reverse polarity protection	yes

Outputs

Electrical design	PNP
Output function	normally open
Max. voltage drop switching output DC [V]	2.5
Max. leakage current [mA]	0.5
Permanent current rating of switching output DC [mA]	100
Short-time current rating of switching output [mA]	100
Switching frequency DC [Hz]	50
Short-circuit proof	yes
Overload protection	yes

Monitoring range

Sensing range [mm]	8
Sensing range adjustable	yes
Factory setting sensing range [mm]	8

Accuracy / deviations

Hysteresis [% of Sr]	1...15
Switch-point drift [% of Sr]	-20...20

KF5015



Capacitive sensor

KFA3080NBPKG

Operating conditions

Ambient temperature	[°C]	-25...70
Protection		IP 65

Tests / approvals

EMC		EN 61000-4-2	4 kV CD / 8 kV AD
		EN 61000-4-3	3 V/m
		EN 61000-4-4	2 kV
		EN 61000-4-6	3 V
MTTF	[years]	1042	

Mechanical data

Weight	[g]	100
Housing		Threaded type
Mounting		non-flush mountable
Dimensions	[mm]	M12 x 1 / L = 70
Thread designation		M12 x 1
Material		housing: stainless steel; cover: PEEK

Displays / operating elements

Display	Switching status	1 x LED, yellow
---------	------------------	-----------------

Accessories

Items supplied	lock nuts: 2
----------------	--------------

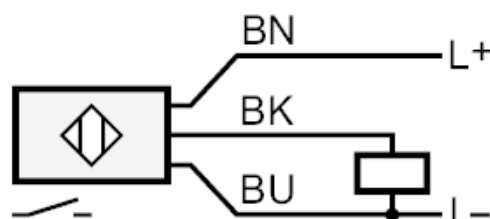
Remarks

Pack quantity	1 pcs.
---------------	--------

Electrical connection

Cable: 2 m, PUR; 3 x 0.34 mm²

Connection



Core colors :

- BN = brown
- BU = blue
- BK = black