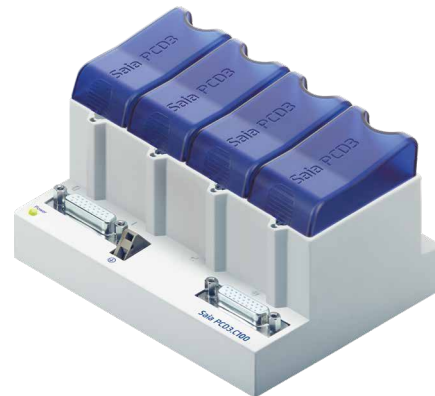




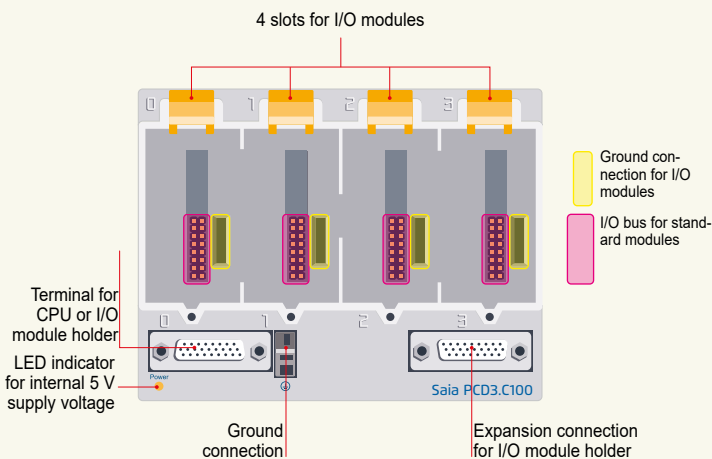
Description

The PCD3.Mxxxx controllers can be expanded with PCD3.Cxxx components, making additional module sockets available. On the PCD3.Mxxx0, up to 15 PCD3.Cxxx module holders can be attached (PCD3.M3020/3120 cannot be expanded). This allows the user to attach a maximum of 64 I/O modules, or 1023 digital inputs/outputs.



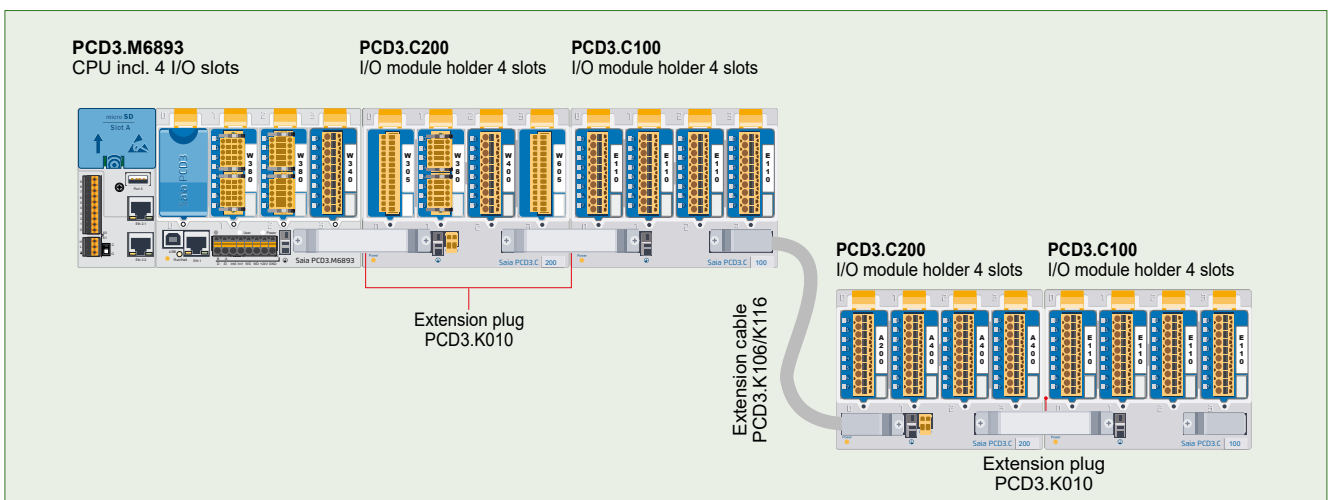
PCD3.C100

Device design

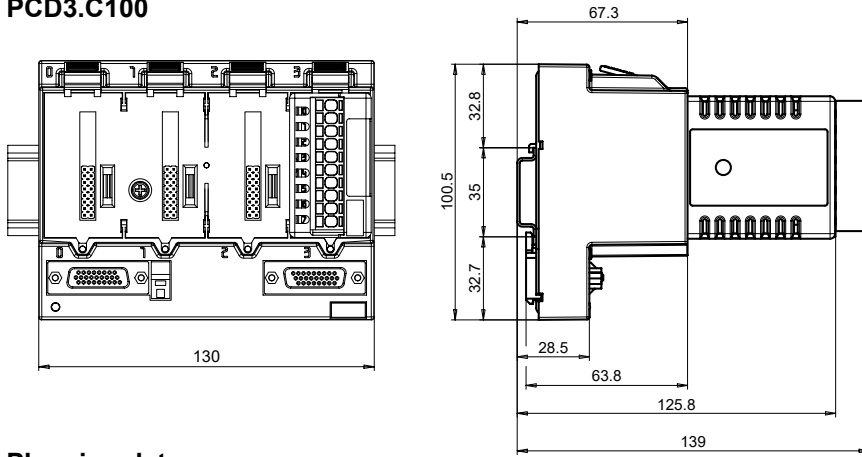


All standard I/O modules can be used in the expansion module holders. Communication modules or other intelligent modules can only be used in the slots of the Basic CPU.

Example calculation for the current consumption of the internal +5V and +V (24V) bus of the I/O modules



Dimension Drawing PCD3.C100



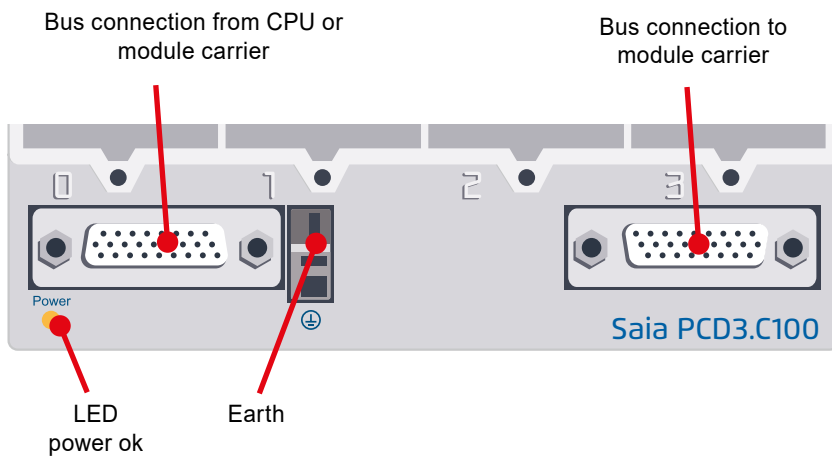
Planning data

- ▶ Step files (3D)
- ▶ BIM objects

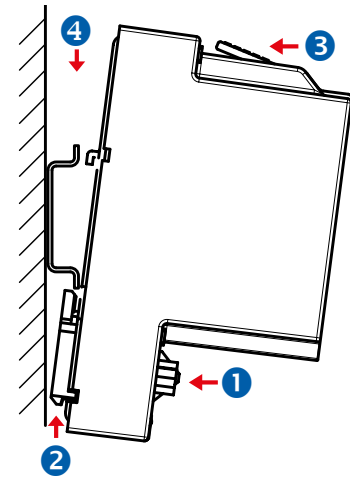
The data can be downloaded with the following link:

<https://sbc-support.com/en/services/bim-building-information-model/>

Connections of the PCD3.C100



Easy assembly of the module holders on DIN rail (1 × 35 mm)



- 1 Press lower part of housing onto mounting rail
- 2 Push up against the spring force up to the stop
- 3 Hook in over the upper edge of the mounting rail and yield to the spring force
- 4 For safety, push the housing into the mounting rail from top to bottom

Check if the device is securely fixed.

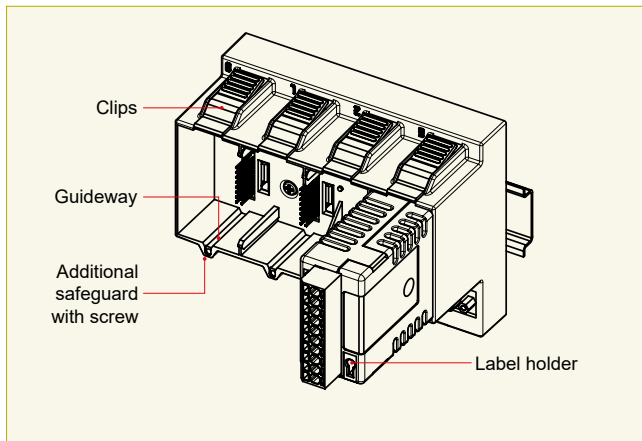
Dismounting from DIN rail

To remove the housing, push upwards and pull out.

Technical data

Number of module slots	4
Description	4 I/O modules
Internal current consumption (from +5 V bus)	10 mA
Internal current consumption (from V+ bus)	---

Insertion of I/O modules



▲ Simple exchange of I/O modules

Over 40 modules available with different functionalities

Types

- ▶ **PCD3.Axxx** Digital output modules
- ▶ **PCD3.Exxx** Digital input modules
- ▶ **PCD3.Fxxx** Communication modules
- ▶ **PCD3.Wxxx** Analogue input/output modules



The PCD3.C200 is used to extend the I/O bus or for the internal power supply +5V and +V (24V) to a module segment.

Please note the following rules:

- **Mandatory:** Insert a PCD3.C200 after the PCD3.M6893 and after each cable (at the start of a row).
- Use a maximum of five PCD3.K106/K116 cables.
- Do not use more than six PCD3.C200s in a single configuration, or the time delay will exceed the I/O access time.
- If an application is mounted in a single row (max. 15 module holders), then after five PCD3.C100 a PCD3.C200 must be used to amplify the bus signal (unless the configuration ends with the fifth PCD3.C100).
- If the application is mounted in multiple rows, the restricted length of cable means that only three module holders (1× PCD3.C200 and 2× PCD3.C100) may be mounted in one row.



PCD3 I/O modules are not hot-plug capable:

- Carefully insert and remove the I/O modules after switching off the power supply (24V).



The following aspects should be considered when planning PCD3 applications:

- In keeping with lean automation, it is recommended to leave the first slot in the CPU basic module free for any subsequent expansions. This slot can accommodate simple I/O modules but also communication modules.
- The total length of the I/O bus is limited by technical factors; the shorter, the better.



I/O modules and I/O terminal blocks may only be plugged in and removed when the Saia PCD® and the external +24 V are disconnected from the power supply.

Consumption M6893 + C200 + C100

Module	Internal 5V	Internal +V (24V)
Not used		
W380	25 mA	25 mA
W380	25 mA	25 mA
W340	8 mA	20 mA
Total M6893	58 mA	70 mA
W340	8 mA	20 mA
W340	8 mA	20 mA
W610	110 mA	0 mA
E160	10 mA	
Total C200	136 mA	40 mA
E160	10 mA	
E160	10 mA	
E160	10 mA	
E160	10 mA	
Total C100	40 mA	0
Total C200	176 mA	40 mA

Consumption C200 + C100

Module	Internal 5V	Internal +V (24V)
A200	15 mA	
A810	40 mA	
A810	40 mA	
A860	18 mA	
Total C200	113 mA	
A460	10 mA	
A460	10 mA	
A460	10 mA	
W380	25 mA	25 mA
Total C100	55 mA	25 mA
Total C200	168 mA	25 mA

Capacity	PCD3.M6893	PCD3.C200
Internal 5V	600 mA	1500 mA
Internal +V (24V)	100 mA	200 mA

The calculation example shows that internal capacity is maintained in the CPU basic module PCD3.M6893 and the holder module PCD3.C200. The CPU basic module has a sufficient reserve to receive an additional communication module in the empty slot 0. The holder module PCD3.C200 also has sufficient reserves to connect an additional PCD3.C100 holder module. The power consumption of the internal +5V and +V (24 V) bus for the I/O modules is automatically calculated in the QronoX I/O-Calculator Excel-sheet.

**ATTENTION**

These devices must only be installed by a professional electrician, otherwise there is the risk of fire or the risk of an electric shock.

**WARNING**

Product is not intended to be used in safety critical applications, using it in safety critical applications is unsafe.

**WARNING - Safety**

The unit is not suitable for the explosion-proof areas and the areas of use excluded in EN61010 Part 1.

**WARNING - Safety**

Check compliance with nominal voltage before commissioning the device (see type label).
Check that connection cables are free from damage and that, when wiring up the device, they are not connected to voltage.
Do not use a damaged device!

**NOTE**

In order to avoid moisture in the device due to condensate build-up, acclimatise the device at room temperature for about half an hour before connecting.

**CLEANING**

The device can be cleaned in dead state with a dry cloth or cloth soaked in soap solution.
Do not use caustic or solvent-containing substances for cleaning.

**MAINTENANCE**

These devices are maintenance-free. If damaged, no repairs should be undertaken by the user.

**GUARANTEE**

Opening the module invalidates the guarantee.

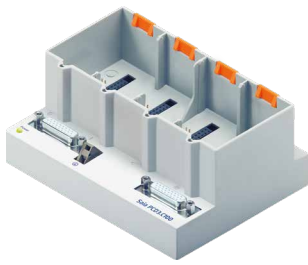
Observe this instructions (data sheet) and keep them in a safe place.
Pass on the instructions (data sheet) to any future user.



WEEE Directive 2012/19/EC Waste Electrical and Electronic Equipment directive
The product should not be disposed of with other household waste. Check for the nearest authorized collection centers or authorized recyclers. The correct disposal of end-of-life equipment will help prevent potential negative consequences for the environment and human health.



EAC Mark of Conformity for Machinery Exports to Russia, Kazakhstan or Belarus.



PCD3.C100



Slot covers
410475150 /
410475020



Connecting plug
PCD3.K010



Extension cable 0.7 / 1.2 m
PCD3.K106 / PCD3.K116

Ordering information

Type	Short description	Description	Weight
PCD3.C100	PCD3.C100 for 4 modules	Extension module holder for 4 I/O modules	420 g

Accessories

Type	Short description	Description	Weight
410475150	Slot cover	Slot cover for unused PCD3 I/O slots (with SBC logo)	8 g
410475020	Slot cover	Slot cover for unused PCD3 I/O slots (neutral - without SBC logo)	8 g
PCD3.K010	Connection plug	Connection plug PCD3.M/T/C to PCD3.Cx00	40 g
PCD3.K106	Extension cable 0.7 m	Extension cable for PCD3.M/T/C to PCD3.Cx00 (length 0.7 m)	140 g
PCD3.K116	Extension cable 1.2 m	Extension cable for PCD3.M/T/C to PCD3.Cx00 (length 1.2 m)	180 g