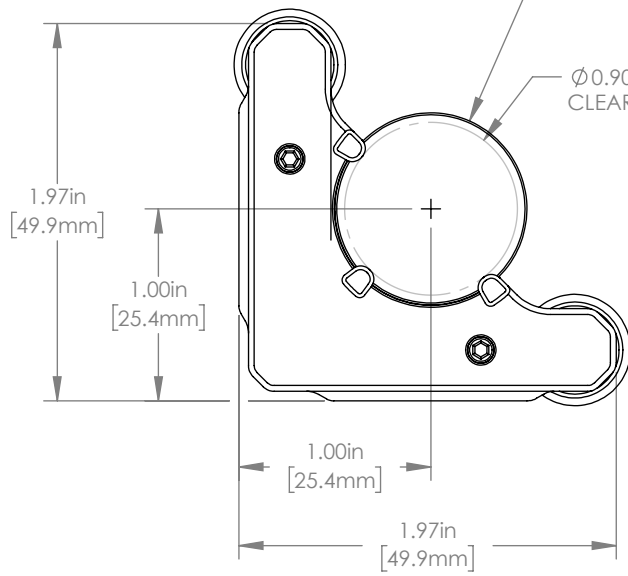
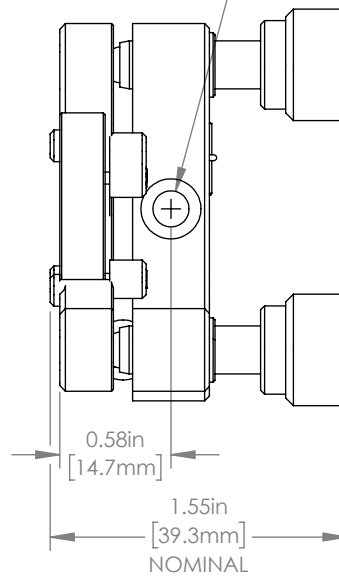


ACCEPTS ϕ 1.00in [ϕ 25.4mm] OPTICS
(NOT INCLUDED)
PROVIDES 180° CLEAR EDGE

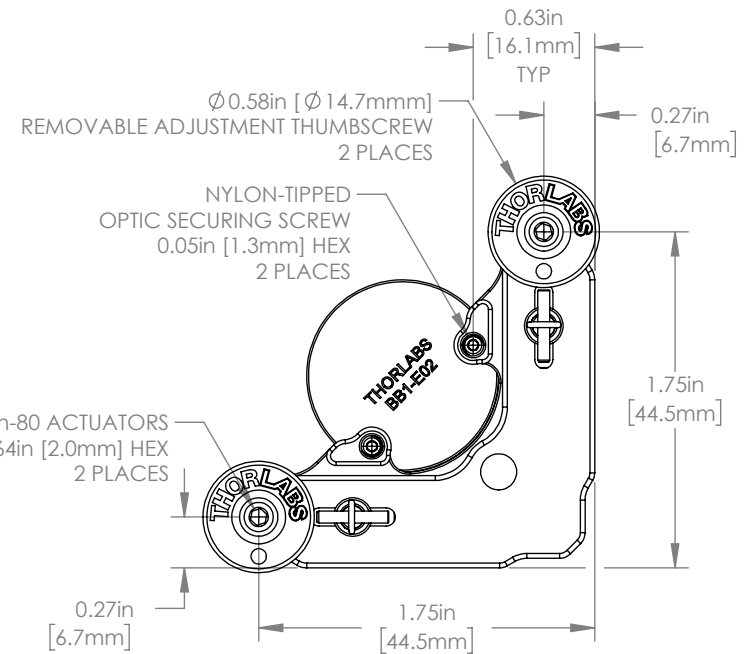


ϕ 0.90in [ϕ 22.9mm]
CLEAR APERTURE

COUNTERBORED MOUNTING HOLE
FOR USE WITH 8-32 [M4 x 0.7]
SOCKET HEAD CAP SCREW
(INCLUDED)
2 PLACES



1.55in [39.3mm]
NOMINAL



1/4in-80 ACTUATORS
5/64in [2.0mm] HEX
2 PLACES

NYLON-TIPPED
OPTIC SECURING SCREW
0.05in [1.3mm] HEX
2 PLACES

ϕ 0.58in [ϕ 14.7mm]
REMOVABLE ADJUSTMENT THUMBSCREW
2 PLACES

FOR INFORMATION ONLY
NOT FOR MANUFACTURING PURPOSES

THICKNESS RANGE	ANGULAR RANGE	ANGULAR RESOLUTION
0.10in - 0.25in (2.5mm - 6.4mm)	+/-4° [+/- 69.8mrad]	0.48° / REV [8.3mrad/REV]

DRAWING PROJECTION			
	NAME	DATE	
DRAWN	CS	20/JAN/15	
APPROVAL	HP	20/JAN/15	
COPYRIGHT © 2015 BY THORLABS			
VALUES IN PARENTHESIS ARE CALCULATED AND MAY CONTAIN ROUND OFF ERRORS			

THORLABS www.thorlabs.com		
ϕ 1" CLEAR EDGE MIRROR MOUNT		
MATERIAL		REV
N/A		C
ITEM #	APPROX WEIGHT	
KM1CE	0.08 kg	