

1

2

3

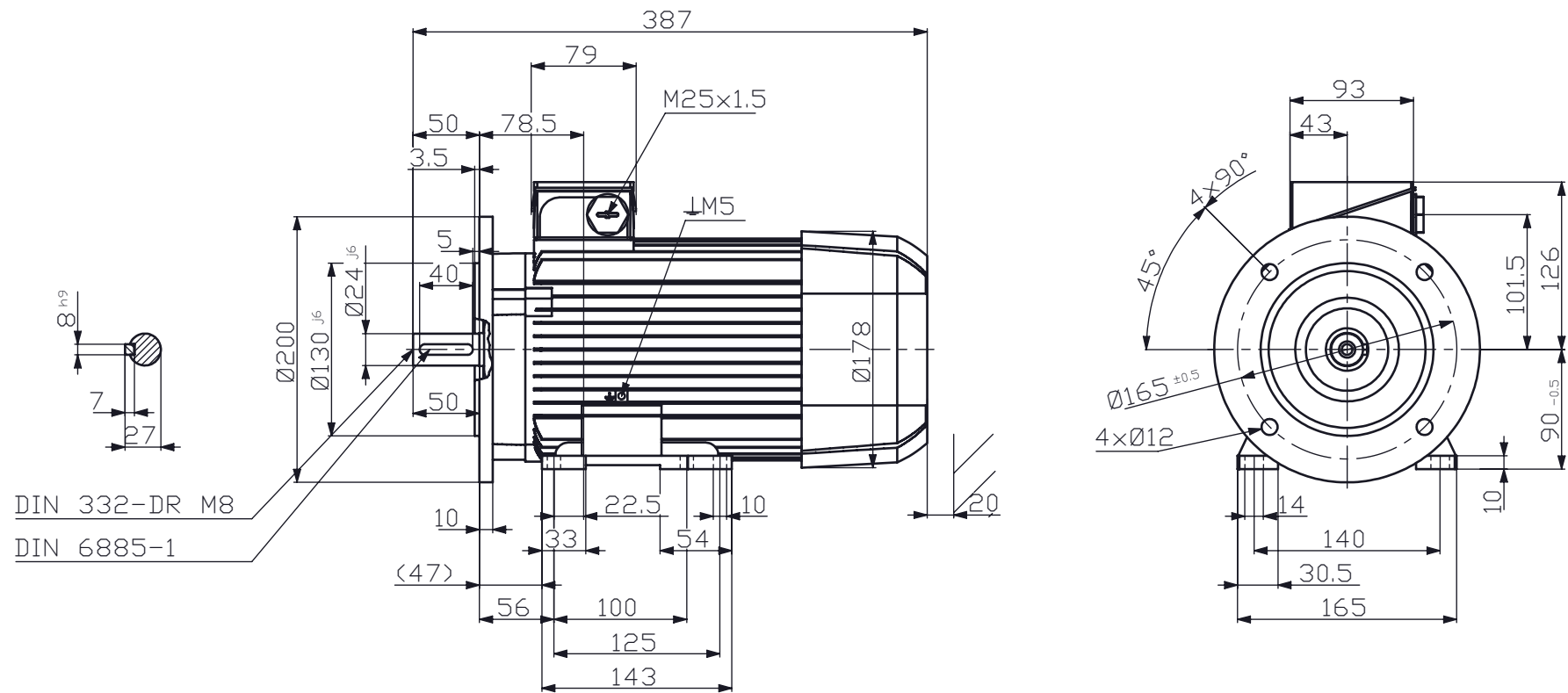
4

5

A

B

C



REVISIONS				
ZONE	REV.	DESCRIPTION	DATE	APPROVED



rotor

Mors 2, P.O.box 45  
 7150 AA Eibergen nl  
 Tel: +31(0)545 464640  
 E-mail: info@rotor.nl

MOTORTYPE: 6RN90L04E34	TITLE: Outline drawing
MOUNTING: IM2081	DRAWN:
PROTECTION:	CHECKED:
COOLING: IC411	COMPLETE OR PARTIAL COPYING OR USE OF SPECIFICATIONS IS NOT ALLOWED WITHOUT OUR PERMISSION.
REMARKS:	SUBJECT TO ALTERATIONS
DIMENSIONS: MM	SCALE: 1:5
PAPER SIZE: A4	PAGE 1 OF 1

ART. NR.:	DATE:
REVISION:	