



DATA SHEET

Customer:	
Ref.:	
Order:	
Motor:	
Serial nr:	
Date:	27-01-2020

ASYNCHRONOUS MOTOR 4A3 802-4

Nameplate data:

Code: 121136

Type:	4A3 802-4			IP56	F/B	Amb. temp.: Max. 40°		
kW	Hz	V	A	Rpm	Cos	Eff.	Duty	IE.class
0,75	50	400D	1,75	1430	0,75	82,7%	S1	IE3
0,75	50	690 Y	1,01	1430	0,75	82,7%		
0,90	60	460 D	1,83	1716	0,75	82,7%		

Description:

Mounting form:	B3/B5
Bearing DE:	6204-2Z/C3
Bearing NDE:	6204-2Z/C3
Weight - Kg.:	13,1
Heater:	No Heater
PTC:	PTC mounted
Kgm ² :	0,0021
Sound press.-db(A):	48,0

Other:

Test data S1-duty, Amb.temp 40°C:

Voltage - V:	400
Frequency - Hz:	50
Power - kW:	0,75
Full load speed - Rpm:	1430
Full load current - A:	1,75
Full load power factor - Cos:	0,75
Locked rotor current - A:	11,4
Locked rotor factor - A _{st} /A _n :	6,5

Efficiency 100% load - %:	82,7%
Efficiency 75% load - %:	82,9%
Efficiency 50% load - %:	81,5%
Full load torque - Nm:	5,0
Locked rotor torque - Nm:	11,5
Locked rotor torque - Nm _{st} /Nm _n :	2,3
Max. Pull out torque - Nm:	11,5
Max. Pull out torque. - Nm _{st} /Nm _n :	2,3

Over load/speed test	kW	Hz	V	A	Rpm
Over load 160% - 15sec.	1,20	50	400	2,80	1430
Over speed 125% - 2 min.	0,75	63	400	1,75	1788
H-Pot test voltage: 1800V			Temp. rise in stator:		

The motor is produced in accordance with following harmonized standards:
IEC60034-1, IEC60034-2, IEC60034-5, IEC60034-6, IEC60034-7, IEC60034-8, IEC60034-9
IEC60034-12, IEC60034-14, IEC60034-30, IEC60072.

Additional specifications in accordance with:
RINA - GL - LRS - BV - DNV - ABS - KR - RR - CCS - CCC - RMRS.

Bevi Group:

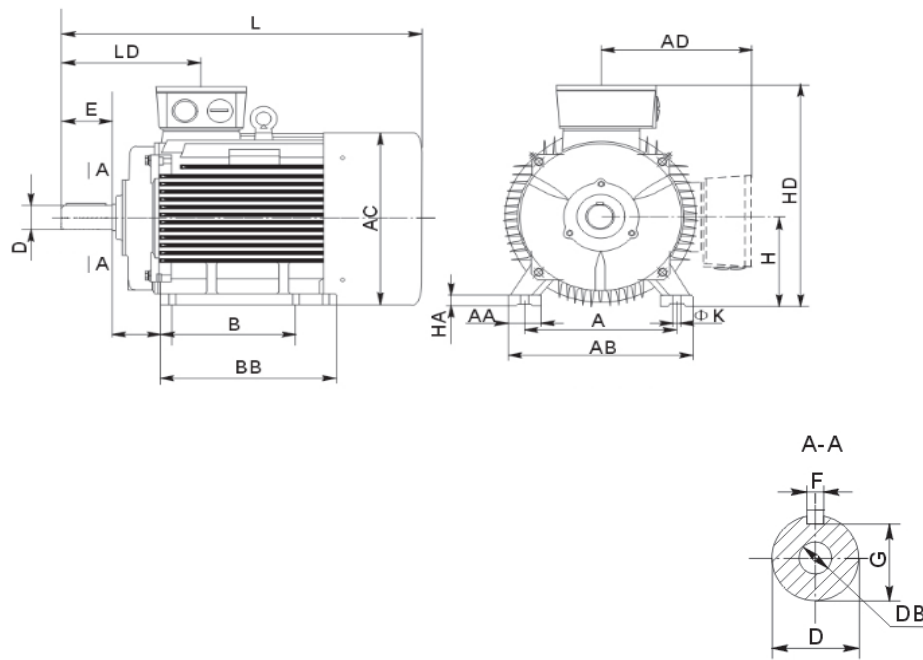
BEVI AB, Sweden	www.bevi.se	sales@bevi.se	+46 499 271 00
BEVI A/S, Denmark	www.bevi.dk	bevi@bevi.dk	+45 39 67 36 05
BEVI Norge A/S, Norway	www.bevi.no	info@bevi.no	+47 22 07 66 50
BEVI Finland OY AB, Finland	www.bevi.fi	info@bevi.fi	+358 9 2709 1210
BEVI CHINA, China	www.bevi.cn	sales@bevi.cn	+86 21 5032 5200



DATA SHEET

Customer:	
Ref.:	
Order:	
Motor:	
Serial nr:	
Date:	27-01-2020

Foot mounted motor 4A3 802-4 B3



A: 125	HD: 217	E: 40
B: 100	C: 50	D: 19
AB: 153	H: 80	G: 15,5
AC: 167	K: 10	DB: M6
AD: 138	L: 300	F: 6
LD: 112	L (V1): 350	

Bevi Group:
 BEVI AB, Sweden
 BEVI A/S, Denmark
 BEVI Norge A/S, Norway
 BEVI Finland OY AB, Finland
 BEVI CHINA, China

www.bevi.se
www.bevi.dk
www.bevi.no
www.bevi.fi
www.bevi.cn

sales@bevi.se
bevi@bevi.dk
info@bevi.no
info@bevi.fi
sales@bevi.cn

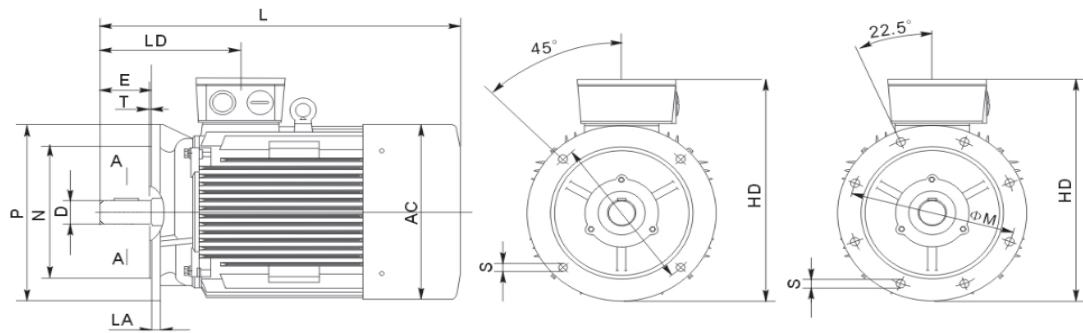
+46 499 271 00
 +45 39 67 36 05
 +47 22 07 66 50
 +358 9 2709 1210
 +86 21 5032 5200



DATA SHEET

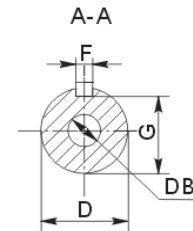
Customer:	
Ref.:	
Order:	
Motor:	
Serial nr:	
Date:	27-01-2020

Flange mounted motor 4A3 802-4 B5



IEC 56-200

IEC 225-400



M: 165	HD: 217	E: 40
N: 130	L: 300	D: 19
P: 200	L (V1): 350	G: 15,5
S: 12	LD: 112	DB: M6
		F: 6

Bevi Group:

BEVI AB, Sweden
BEVI A/S, Denmark
BEVI Norge A/S, Norway
BEVI Finland OY AB, Finland
BEVI CHINA, China

www.bevi.se
www.bevi.dk
www.bevi.no
www.bevi.fi
www.bevi.cn

sales@bevi.se
bevi@bevi.dk
info@bevi.no
info@bevi.fi
sales@bevi.cn

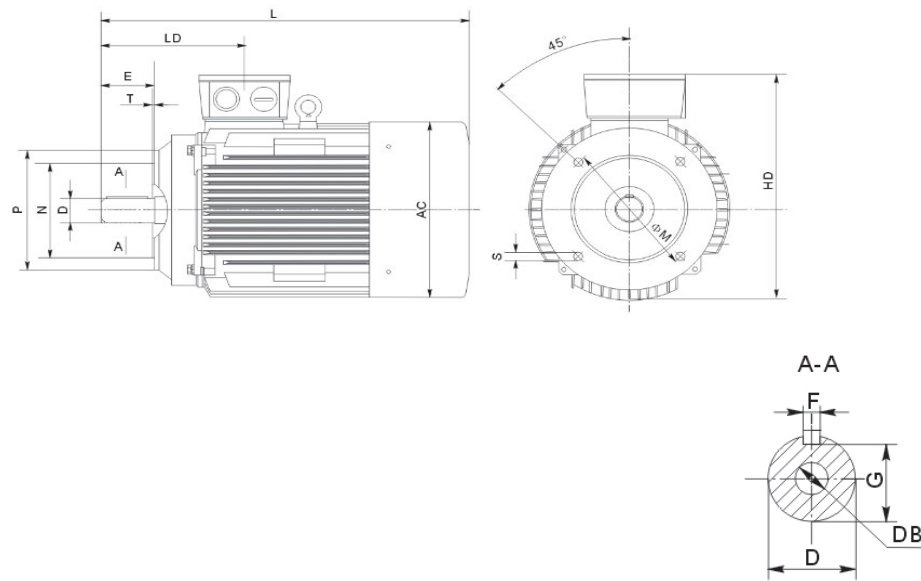
+46 499 271 00
+45 39 67 36 05
+47 22 07 66 50
+358 9 2709 1210
+86 21 5032 5200



DATA SHEET

Customer:	
Ref.:	
Order:	
Motor:	
Serial nr:	
Date:	27-01-2020

Flange mounted motor 4A3 802-4 B14A + (B14B)



Flange type: B14A	B14B		
M: 100	130	HD: 217	E: 40
N: 80	110	L: 300	D: 19
P: 120	160	L (V1): 350	G: 15,5
S: M6	M8	LD: 112	DB: M6
			F: 6

Bevi Group:

BEVI AB, Sweden
 BEVI A/S, Denmark
 BEVI Norge A/S, Norway
 BEVI Finland OY AB, Finland
 BEVI CHINA, China

www.bevi.se
www.bevi.dk
www.bevi.no
www.bevi.fi
www.bevi.cn

sales@bevi.se
bevi@bevi.dk
info@bevi.no
info@bevi.fi
sales@bevi.cn

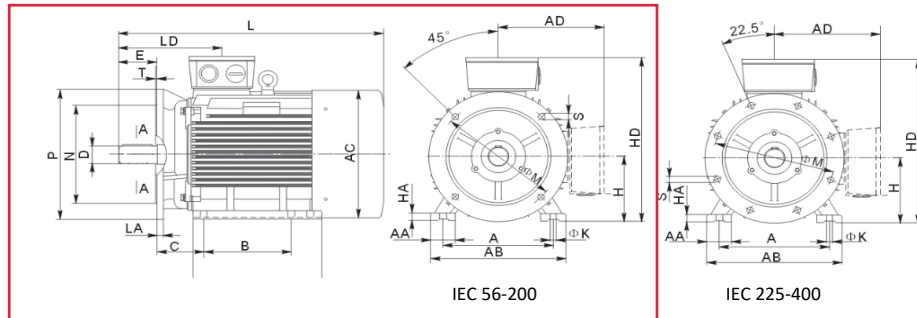
+46 499 271 00
 +45 39 67 36 05
 +47 22 07 66 50
 +358 9 2709 1210
 +86 21 5032 5200



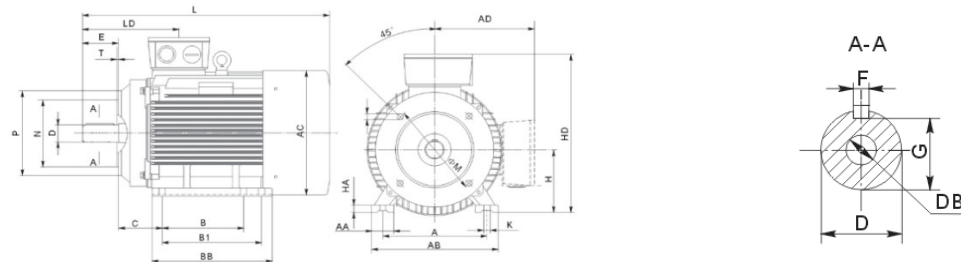
DATA SHEET

Customer:	
Ref.:	
Order:	
Motor:	
Serial nr:	
Date:	27-01-2020

Foot & flange mounted motor 4A3 802-4 B3/B5



4A3 802-4 B14A + (B14B)



Flange type: B5

M: 165
N: 130
P: 200
S: 12

B14A

M: 100
N: 80
P: 120
S: M6

(B14B)

M: 130
N: 110
P: 160
S: M8

A: 125	HD: 217	E: 40
B: 100	C: 50	D: 19
AB: 153	H: 80	G: 15,5
AC: 167	K: 10	DB: M6
AD: 138	L: 300	F: 6
LD: 112	L (V1): 350	

Bevi Group:
BEVI AB, Sweden
BEVI A/S, Denmark
BEVI Norge A/S, Norway
BEVI Finland OY AB, Finland
BEVI CHINA, China

www.bevi.se
www.bevi.dk
www.bevi.no
www.bevi.fi
www.bevi.cn

sales@bevi.se
bevi@bevi.dk
info@bevi.no
info@bevi.fi
sales@bevi.cn

+46 499 271 00
+45 39 67 36 05
+47 22 07 66 50
+358 9 2709 1210
+86 21 5032 5200