

Technical features

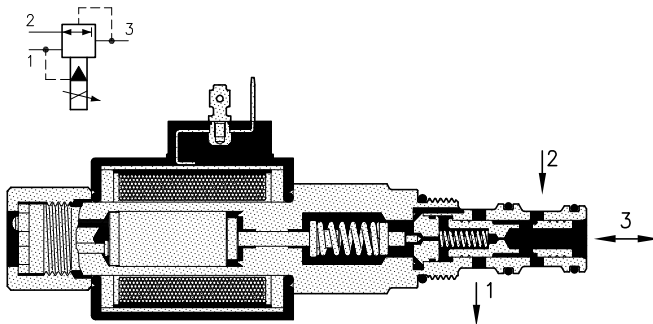
Pilot pressure reducing-relieving valves type PLP 30 are regulated from proportional solenoid which is controlled by a remote electronic card and modifies setting, changing the piloting system acting force.

They are normally used as unidirectional proportional pressure reducing valves with flow from 2 to 3.

With flow from 3 to 1 they act as pressure relief valve and by de-energised valve, flow coming from 3 is drained in 1 at a minimum setting pressure.

Operating on potentiometer through electronic card allows to act on proportional solenoid and it's possible to obtain numberless precise and repeatable adjustments.

For electronic control card technical features see from General Catalogue page n. 10.250.



Cavity	(For dimensions see catalogue 17.000)	S 30/3
Max. flow	(l/min.)	45
Max. pressure on line 2	(bar)	315
Max. pressure on line 1	(bar)	210
Fluid viscosity range	(cSt)	2.8 – 380
Fluid temperature range	(°C)	-20 +80
Max. drain	(cm ³ /min.)	600
Mass	(kg)	0.640
Hydraulic fluid; mineral oil HM and HV ISO 6074		
Recommended filtration; 19/15 ISO 4466 (25 μ absolutes)		
Standard seals in Polyurethane and Buna N		

Nominal voltage	(Volt)	12	24
Current range	(mA)	1600	800
Nominal power	(Watt)	22	
Resistance	(Ω)	6.8	26
Insulation class	(VDE 0580)	F 155	
Rating	(ED%)	100	
Protection class	(DIN 40050)	IP 65	

Dimensions

