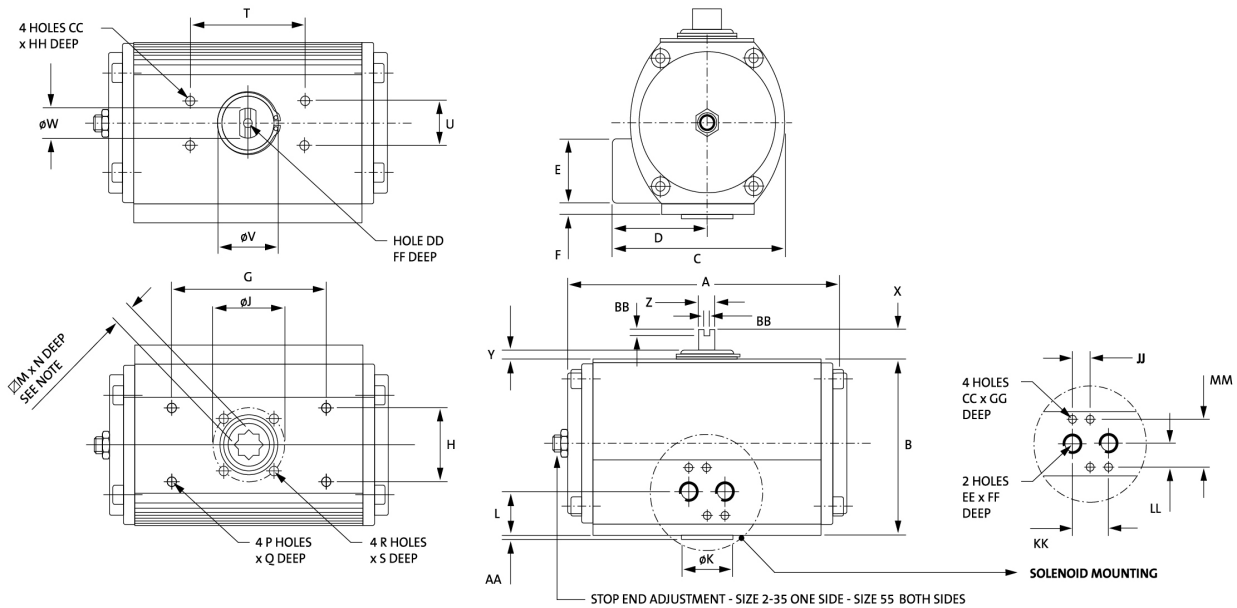




TruTorq Pneumatic Actuator Type C, Imperial Size 2, 4, 8, 12, 20, 35 and 55

- Double acting (DA) and Spring Return (SR)
- Single End Stop Adjustment, open position (DA and SR)
- Option: Single end stop adjustment, closed position (Only DA)



DIMENSIONS, IMPERIAL (inches)

Actuator size	ISO	A	B	C	D	E	F	G	H	ØJ	ØK	L	M	N	P (UNC)	Q	R (UNC)	S	T
TT 2	F03	4.51	2.87	2.97	1.71	1.61	-	2.87	1.26	1.42	0.984	0.81	0.354	0.39	10-24	0.31	10-24	0.31	3.15
TT 4	F04	5.24	3.56	3.44	1.87	1.61	-	2.87	1.26	1.65	1.181	0.81	0.433	0.47	10-24	0.31	10-24	0.31	3.15
TT 8	F05/F07	6.38	4.29	4.13	2.24	1.65	0.30	2.87	1.26	1.97	1.378	1.12	0.551	0.63	1/4-20	0.39	1/4-20	0.39	3.15
TT 12	F07/F05	7.64	4.67	4.76	2.64	1.69	0.31	4.21	1.91	2.76	2.165	1.16	0.669	0.75	1/4-20	0.39	5/16-18	0.51	3.15
TT 20	F07/F10	8.58	5.53	5.37	2.83	1.69	0.31	4.21	1.91	2.76	2.165	1.16	0.669	0.75	5/16-18	0.39	5/16-18	0.51	3.15
TT 35	F10/F07	10.47	6.56	6.14	3.07	1.69	0.33	6.34	2.87	4.02	2.756	1.18	0.868	0.94	5/16-18	0.47	3/8-16	0.63	3.15
TT 55	F12/F10	12.28	8.17	7.52	3.76	1.69	0.81	6.34	2.87	4.92	3.346	1.65	1.06	1.14	5/16-18	0.59	1/2-13	0.79	5.12

Actuator size	ISO	U	ØV	ØW	X	Y	Z	AA	BB	CC (UNF)	DD	EE (NPT)	FF	GG	HH	JJ	KK	LL	MM
TT 2	F03	1.18	0.98	0.63	0.79	0.18	0.45	0.08	0.16	10-32	M6	1/8	0.50	0.31	0.20	0.47	0.94	0.63	1.26
TT 4	F04	1.18	1.22	0.79	0.79	0.18	0.45	0.08	0.16	10-32	M6	1/8	0.50	0.31	0.20	0.47	0.94	0.63	1.26
TT 8	F05/F07	1.18	1.38	0.79	0.79	0.20	0.45	0.12	0.16	10-32	M6	1/8	0.50	0.31	0.20	0.47	0.94	0.63	1.26
TT 12	F07/F05	1.18	1.81	0.79	0.79	0.22	0.45	0.12	0.16	10-32	M6	1/4	0.50	0.31	0.20	0.47	0.94	0.63	1.26
TT 20	F07/F10	1.18	1.97	1.26	0.79	0.26	0.75	0.12	0.16	10-32	M6	1/4	0.50	0.31	0.20	0.47	0.94	0.63	1.26
TT 35	F10/F07	1.18	2.40	1.26	0.79	0.28	0.75	0.12	0.16	10-32	M6	1/4	0.50	0.31	0.20	0.47	0.94	0.63	1.26
TT 55	F12/F10	1.18	2.40	1.57	1.18	0.30	1.00	0.12	0.16	10-32	M6	1/4	0.50	0.31	0.20	0.47	0.94	0.63	1.26



**TruTorq Pneumatic Actuator Type C, Imperial
Size 2, 4, 8, 12, 20, 35 and 55**

TORQUE

Actuator Size	Air Supply	DA Torque	SR Torque (in.lbs)				
	PSI	in.lbs	Air - Start	Air - End	Spring - Start	Spring - End	Spring Qty
TT 2	80	166	107	59	107	59	4+3
TT 4	80	337	218	121	216	119	4+3
TT 8	80	730	473	263	467	257	4+3
TT 12	80	994	644	356	638	350	4+3
TT 20	80	1638	1057	582	1056	581	4+3
TT 35	80	3035	1959	1078	1957	1076	4+3
TT 55	80	4742	3026	1622	3120	1716	4+3

OPERATING DETAILS

Actuator Size	Operating time (sec) *				Air consumption (ci)		Overall weight (kg)	
	DA Open	DA Close	SR Open	SR Close	Open	Close	DA	SR
TT 2	<1	<1	<1	<1	5.49	7.32	1.0	1.1
TT 4	<1	<1	<1	<1	10.98	14.65	1.8	1.9
TT 8	<1	<1	<1	<1	20.75	25.02	3.1	3.4
TT 12	1.5	1.5	1.5	1.0	29.90	39.05	4.2	4.7
TT 20	2.0	2.0	2.0	1.5	54.92	61.02	6.6	7.5
TT 35	2.5	2.5	2.5	2.0	103.12	115.94	11.1	12.8
TT 55	3.5	3.5	3.5	3.0	170.86	207.47	17.1	20.2

* Note! May be affected by air pipe diameter and type of solenoid valve