

EVI 7

22 mm Coil System

EVI 7/8 EVI 7/9 EVI 7/10



AMISCO

EVI 7

Coil System

The EVI 7 system by Amisco includes a wide range of 22mm coils, designed for pneumatic applications. This coil family is available for tubes with 8, 9 and 10mm diameter.

The coils are available with different voltages and connections: types, power and other features are described in the following pages.



All coils feature:

- heat resistant bobbin moulded with 30% glass filled thermoplastic polyester material
- class H wire 200°C according to IEC 60317-13
- built-in magnetic yoke made by low carbon iron
- encapsulation with high quality specially designed glass filled nylon (thermoset material on demand for EVI 7/9 coil).

The use of other materials is possible upon special agreements. All coils are rated to class F and to IP 65 (with connector and suitable seals). The coil is designed and constructed in accordance to EN 60204.1 and VDE 0580 and it is suitable for industrial ambient conditions. For use in special ambients with high humidity, we suggest the sealed or thermoset version; at any case, please, contact Amisco.

The coil is also in conformity with 2014/34/UE for electrical apparatus of group II, category 3 (Ex nA II 3 GD T4 or T5).

GAS: Ex nA IIC Tx Gc

DUST: Ex tc IIIC Tx Dc

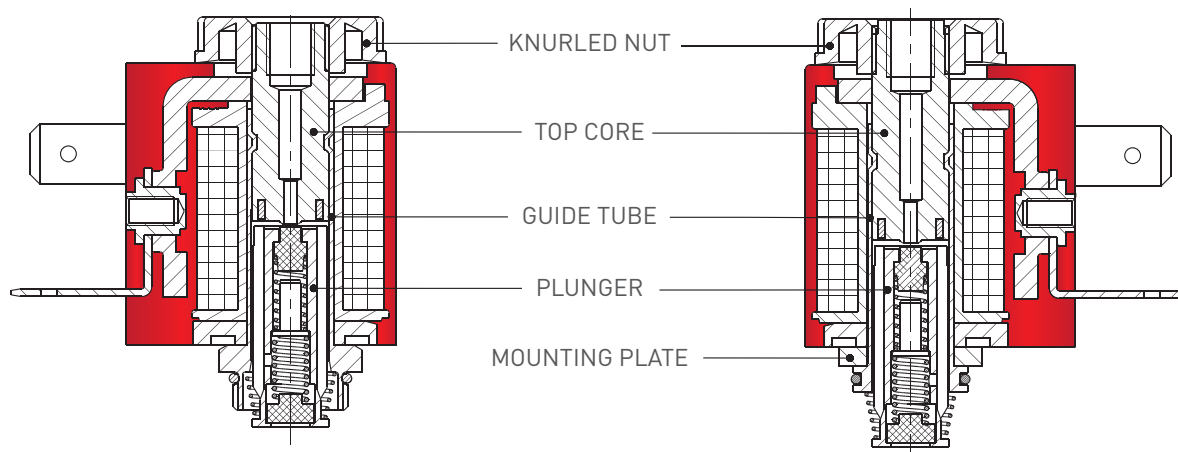
For further information about ATEX versions, see the "ATEX Products" catalogue.

COMPLETE SOLENOID OPERATOR AND PILOT VALVE

The EVI 7/9 coils can be equipped with the suitable plunger guide tube (see S8 - S9 Catalogue) or even in combination with a complete pilot valve. In this case refer to 22mm 30mm pilot valve system catalogue.

The EVI 7/8 coils can be equipped with the suitable plunger guide tube (see S8 - S9 Catalogue).

The coil is fastened to the plunger guide by means of a knurled nut for ease of change over without interrupting the pneumatic circuit.



The specifications and drawings contained herein are believed to be correct and are given in good faith, however no liability is accepted therefore. Manufacturer reserves the right to modify said specifications and drawings without notice for technical or commercial reasons.

COIL CODING SPECIFICATIONS

CODE: **X X 9 9 Y K 5 5 5 4 4 * ***

TYPE
07 = EVI 7

COIL BORING
08 = 8 mm
09 = 9 mm
10 = 10 mm

ELECTRICAL CONNECTION

- C = Flying Leads
- D = DIN 43650 B
- E = AMP 6.3x0.8 mm Epoxy Sealed Version (only 7/9)
- F = AMP 6.3x0.8 mm UL Version (only 7/9)
- G = AMP 6.3x0.8 mm Sealed Version (only 7/9)
- J = Flying Leads Sealed Version (only 7/9)
- K = UL Flying leads (only 7/9)
- L = M12 LED (only 7/9)
- S = AMP 6.3x0.8 mm

SUPPLY CURRENT

- A = Alternating current (A.C.)
- D = Direct current (D.C.)
- R = Rectified alternating current (R.A.C.)

NOMINAL VOLTAGE

Example: 024 = 24V
220 = 220 V

EVI 7/8 WINDING CODE

Nominal Voltage	Power	Winding Code
12VDC	5.5W	02
	2.5W	03
24VDC	5.5W	02
	2.5W	03
24VAC	6.5VA	01
	3.5VA	06
110VAC	6.5VA	01
230VAC	7.5VA	01

EVI 7/9 WINDING CODE

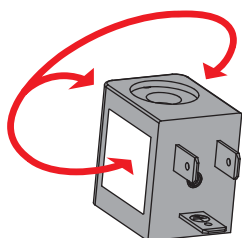
Nominal Voltage	Power	Winding Code
12VDC	5.5W	03
	4.2W	06
	6.5W	04
24VDC	3W	03
	4.2W	06
	6.5W	04
24VAC	5VA	01
	8.5VA	02
110VAC	5VA	01
	8.5VA	02
230VAC	5VA	03
	8.5VA	01

EVI 7/10 WINDING CODE

Nominal Voltage	Power	Winding Code
12VDC	3W	03
	6.5W	04
24VDC	3W	03
	6.5W	04
24VAC	4VA	01
	7.5VA	02
110VAC	4VA	01
	7.5VA	02
230VAC	8VA	01
	4VA	02

MARKING

- ZN = Standard - no logo
- AM = Standard + Amisco logo
- ... = Customized marking

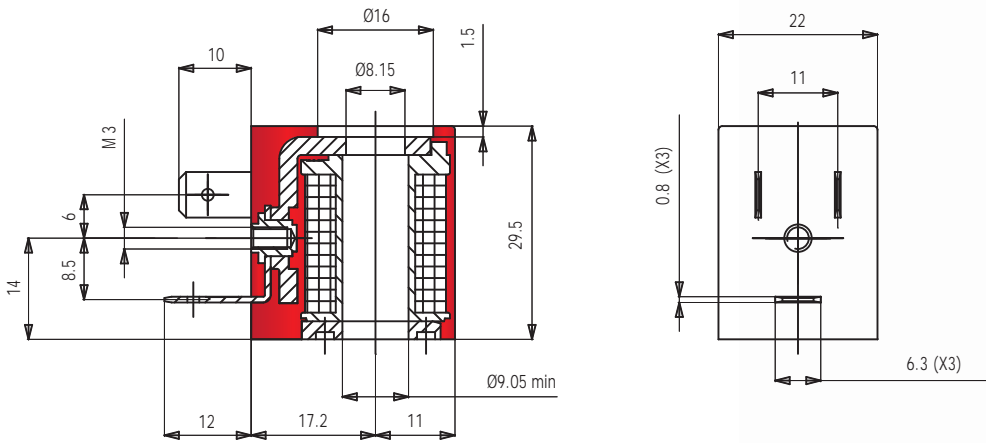


Alternative possibilities for
CUSTOMER LOGO

EVI 7/9 AMP 6,3x0,8

CODE 0709S...

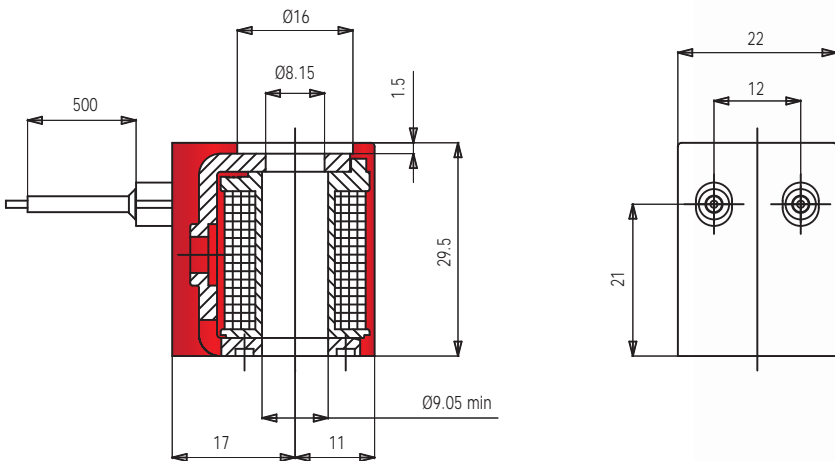
M3 Torque 0,4±0,6Nm



EVI 7/9 Flying Leads

CODE 0709C...

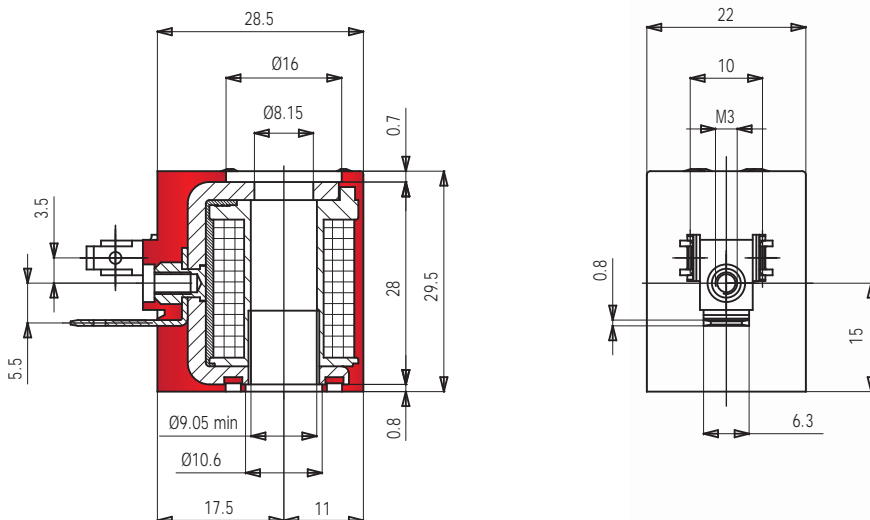
500mm flying leads as a standard



EVI 7/9 DIN 43650-B (EN 175301-803 ISO 4400)

CODE 0709D...

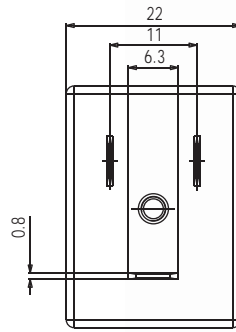
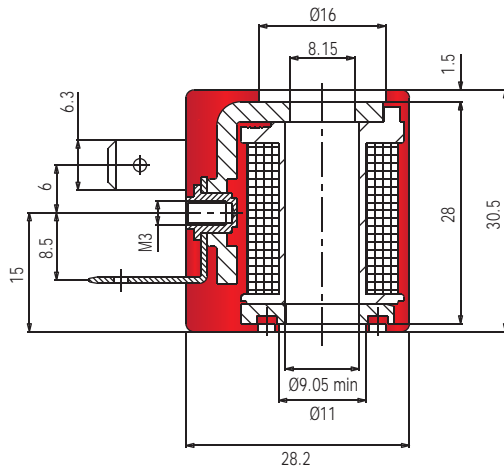
M3 Torque 0,4±0,6Nm



EVI 7/9 AMP 6,3x0,8 Sealed Version

CODE 0709G...

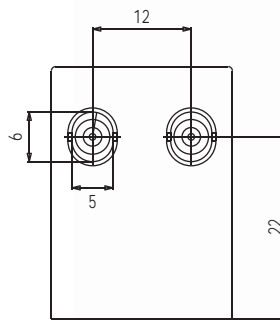
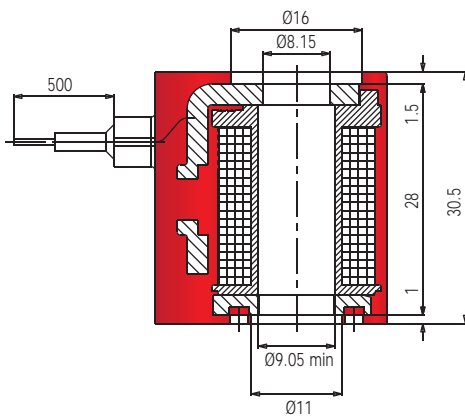
M3 Torque $0,4 \pm 0,6 \text{ Nm}$ Available also: - with EPOXY encapsulation Code 0709E...
- UL class H Code 0709F..



EVI 7/9 Flying Leads Sealed Version

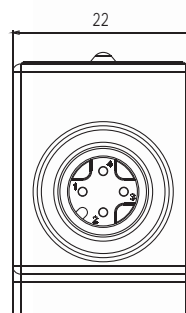
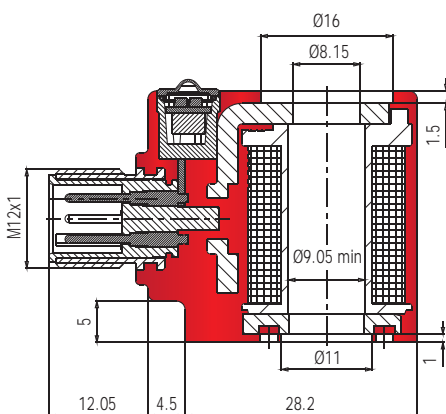
CODE 0709J...

500mm flying leads as a standard Available also: - UL class H CODE 0709K..



EVI 7/9 M12 LED Epoxy

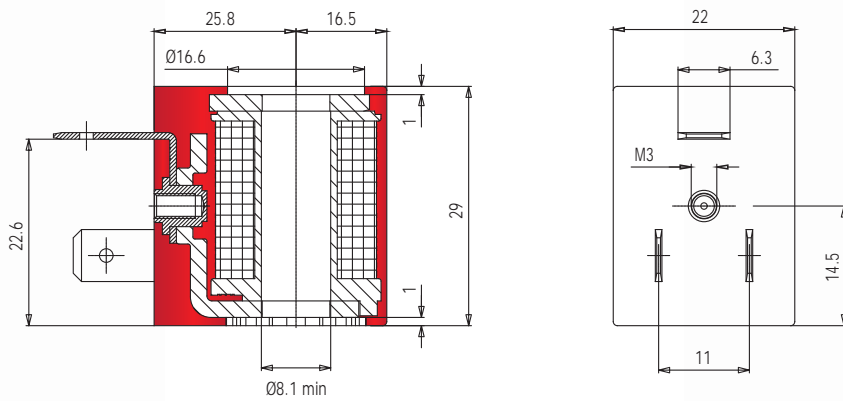
CODE 0709L...



EVI 7/8 AMP 6,3 x 0,8

CODE 0708S...

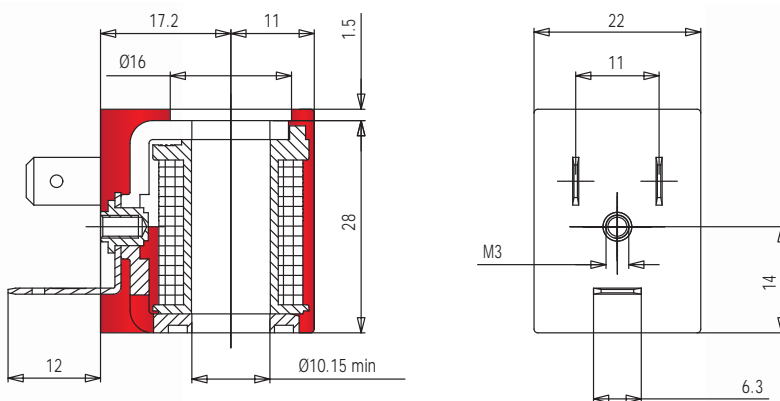
M3 Torque 0,4 - 0,6 Nm



EVI 7/10 AMP 6,3 x 0,8

CODE 0710S...

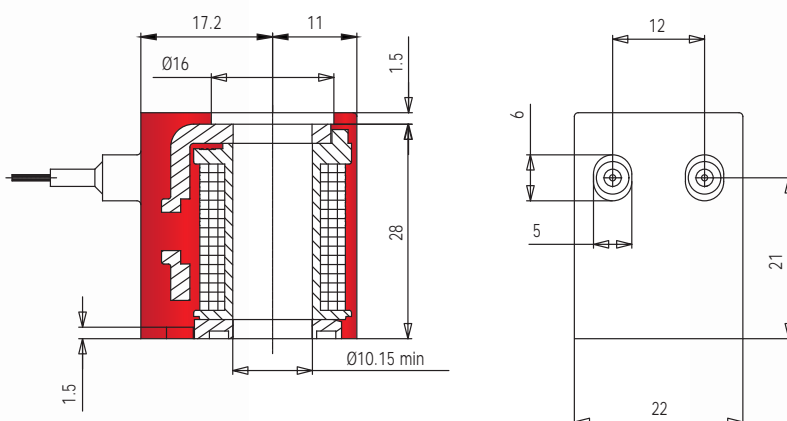
M3 Torque 0,4 - 0,6 Nm



EVI 7/10 Flying Leads

CODE 0710C...

500 mm flying leads as a standard





w w w . a m i s c o . i t

AMISCO S.p.A.
Via Piaggio, 70
20037 Paderno Dugnano (Mi)
Italy

Tel. +39 02.99.00.181
Fax +39 02.99.00.18.60
amisco@amisco.it