

Soft Starters SAS [3 – 11kW] 1.01

Features:

- ☑ single-phase controlled soft starter
- ☑ all devices for pole-changing motors
- ☑ dual-voltage, for 400V and 230V networks
- ☑ terminal arrangement suitable for switchgear connection
- ☑ for snap-mounting on 35mm standard rail
- ☑ integrated bypass relay
- ☑ no mains neutral conductor (N) required
- ☑ special voltages up to 640V
- ☑ also for single-phase applications
- ☑ degree of protection IP 20



Soft Starters
SAS [3 – 11kW]
CE

Function:

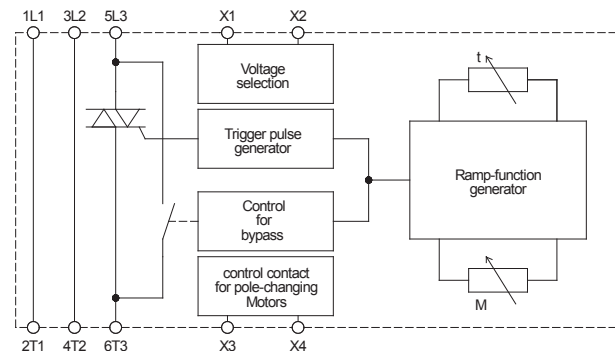
- ☑ soft start
- ☑ 2 separately adjustable parameters
starting torque, starting time
- ☑ control contact for pole-changing motors

Typical Applications:

- transformer soft-starter
- door drives
- packaging machines
- conveyors
- others

Upon request:

- ☑ potential-free input
control voltage 10 ... 30VDC
- ☑ SAS 3 up to SAS 11:
suitable standard up to 480V
special voltages 500V up to 640V
(all types in 100mm-housing)



Typical designation	SAS 3	SAS 5,5	SAS 7,5	SAS 11
motor rating at 230V	1,5kW	3kW	4kW	5,5kW
motor rating at 400V	3kW	5,5kW	7,5kW	11kW
mains / motor voltage X1-X2 jumpered according to DIN EN 50160 (IEC 38)	160 ... 240V ±10 %			
mains / motor voltage X1-X2 not jumpered according to DIN EN 50160 (IEC 38)	380 ... 480V ±10 %			
order number	20700.40003	20700.40005	20700.40007	20700.40011

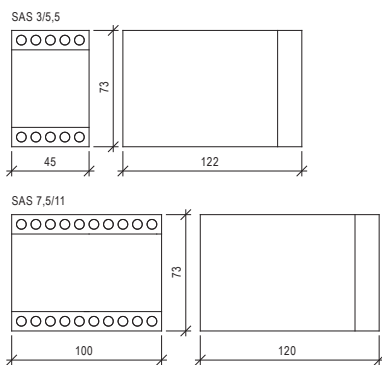
Please observe supplementary sheet with dimensioning rules!

Technical data	SAS 3	SAS 5,5	SAS 7,5	SAS 11
mains / motor voltage X1-X2 jumpered according to DIN EN 50160 (IEC 38)	160 ... 240V ± 10%			
mains / motor voltage X1-X2 not jumpered according to DIN EN 50160 (IEC 38)	380 ... 480V ± 10%			
rated device current	6,5A	12A	15A	25A
mains frequency	50/60Hz			
rated power at 230V	1,5kW	3kW	4kW	5,5kW
rated power at 400V	3kW	5,5kW	7,5kW	11kW
min. motor current	10% of device rating			
starting torque	0 ... 50%			
starting time	0,5 ... 5s			
restart time	200ms			
max. switching cycle at 3xI _e and 5s t _{an}	240/h	200/h	120/h	70/h
max. cross-sectional area	2,5mm ²			
ambient / storage temperature	0°C ... 45°C / -25°C ... 75°C			
weight / kg	0,3		0,5	

Note:

Please pay attention and consider for the operation of IE3 motors while dimensioning of softstarters and dc brakes the resulting higher starting and braking currents.

For the use of IE3 motors we highly recommend to dimension and design the needed softstarters and braking devices one size higher.

Dimensions:

All dimensions indicated in mm

Connection Diagram: