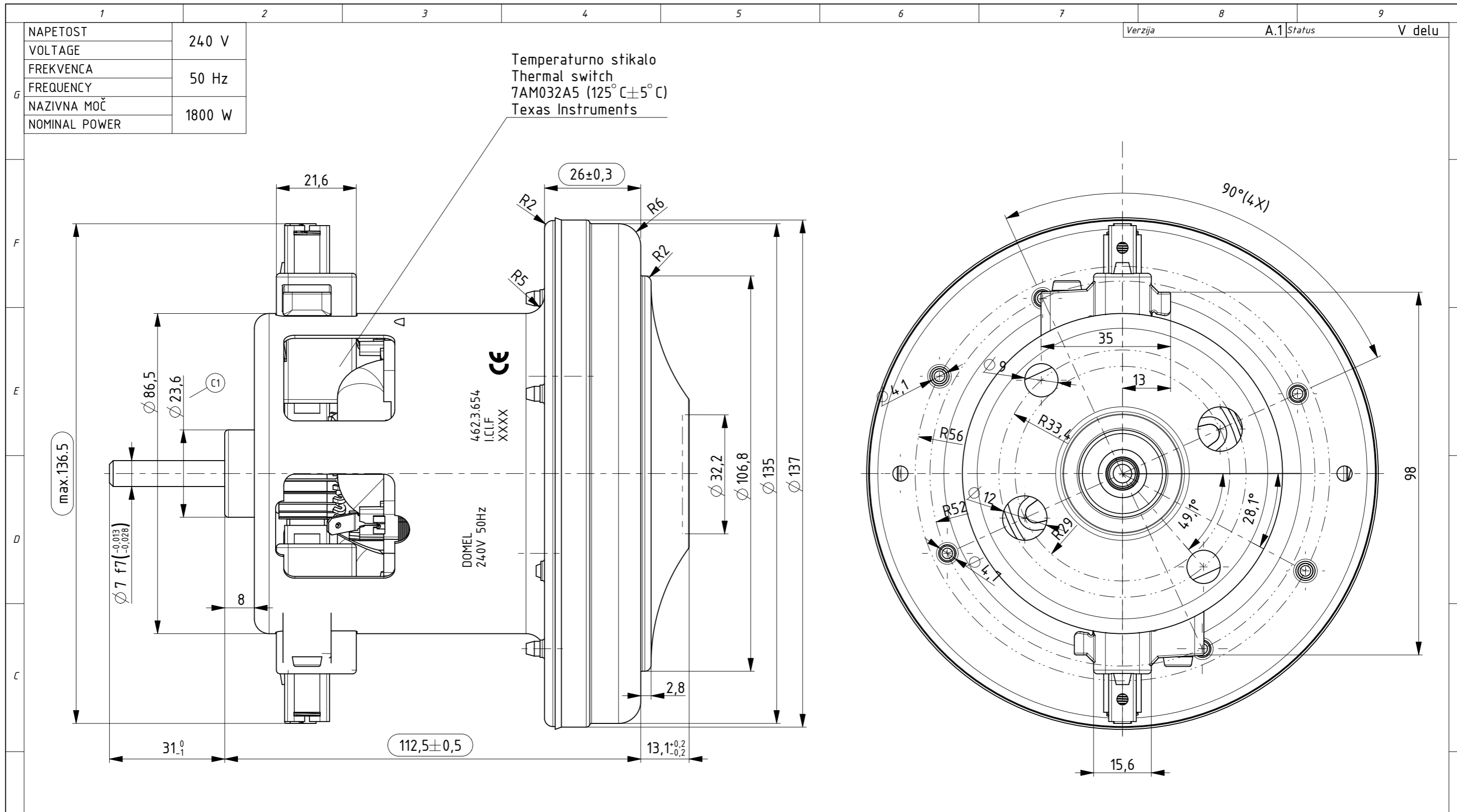


Izdelano s CAD/ProEngineer - ročno spreminjanje ni dovoljeno! Vsak prenos tretjim osebam ali uporaba v nedogovorjene namene ni dovoljena po zakonu o avtorskih pravicah. Made with CAD/ProEngineer - changing is not allowed! Any unauthorized copying of this drawing or unauthorized distribution of the information contained herein is prohibited.



Tolerance odprtih mer Tolerances without individual indications ISO 8015 ISO 2768 - mK		Površinska hrapavost Surface finishing		Merilo Scale 1:1	Original format ISO 5457 - A3
Datum/Date		Ime/Name		Gradivo / Material	
Izdelal Designed 03.02.05		Pogačnik		Naziv Title SESALNA ENOTA VACUUM CLEANER MOTOR	
Pregl. Verified 27.03.13		J. Rihtaršič		Koda Code 462.3.654	
C1	10676	27.03.13	D. Vrhunc	Otoki 21, 4228 Železniki, Slovenija	List Sheet 3+
B1	7575	28.11.05	Pogačnik		Stran Page 1
A0	7400	29.06.05	Pogačnik		
Ozn. Mark	Št. obvestila Nr. of notice	Datum Date	Ime Name		

OSNOVNE ZNAČILNOSTI		TYPICAL CHARACTERISTICS	
IZVEDBA	ENOSTOPENJSKA	FAN SYSTEM	SINGLE STAGE
VLEŽAJENJE	DVA KROGLIČNA LEŽAJA	BEARINGS	DUAL BALL
VRSTA PRETOKA	SKOZI MOTOR	DISCHARGE	THRU FLOW
SMER VRTENJA	DESNA	DIRECTION OF ROTATION	CW