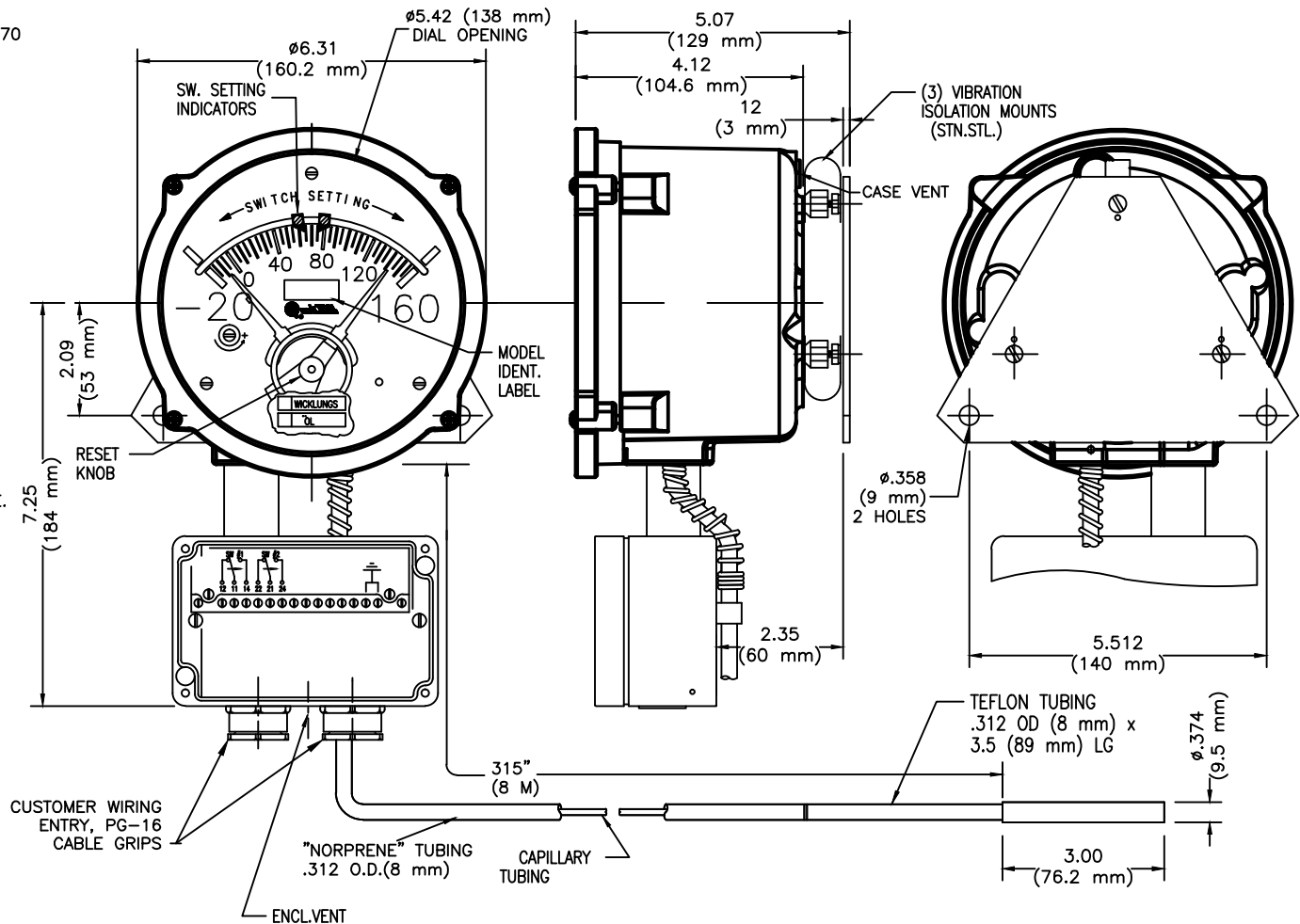


NOTICE
 THIS DRAWING IS THE PROPERTY OF QUALITROL COMPANY LLC AND IS LOANED ONLY ON THE CONDITION THAT IT WILL BE USED TO FACILITATE THE PURPOSE FOR WHICH INTENDED AND NOT BE REPRODUCED, COPIED OR OTHERWISE DISPOSED OF, AND IS NOT TO BE USED IN WHOLE OR PART FOR FURNISHING INFORMATION RELATIVE TO THE MAKING OF DRAWINGS, PARTS APPARATUS OR PARTS THEREOF, EXCEPT BY WRITTEN ORDER FROM QUALITROL COMPANY LLC.

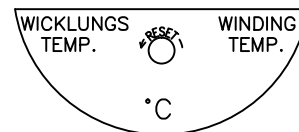
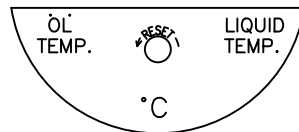
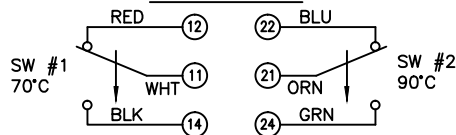
MODEL NO. 104-324-28

NOTES:

- 1) CASE & ENCLOSURE: CAST ALUMINUM WITH ASA #70 LIGHT GRAY FINISH (VENTILATED). MEETS REQUIREMENTS FOR IP65.
- 2) BEZEL: ALUMINUM - REMOVABLE.
- 3) DIAL COLORS: BACKGROUND - BLACK
 CHARACTERS - YELLOW
- 4) POINTER COLOR - YELLOW.
- 5) MAX. INDICATING POINTER COLOR - RED.
- 6) SWITCH SETTING INDICATOR COLOR - SILVER.
- 7) LENS: POLYCARBONATE.
- 8) SWITCH RATING: UL/CSA RATING:
 10 Amps AND 1/3 HP @ 125, 220 VAC
 1/2 Amp @ 125 VDC (NON-INDUCTIVE)
 1/4 Amp @ 250 VDC (NON-INDUCTIVE)
 4 Amps @ 125 VAC "L" (Lamp Load).
- 9) DIELECTRIC STRENGTH: 2,000 VAC FOR ONE MINUTE.
- 10) SWITCH DIFFERENTIAL: 7.5°C ± 2.5°C.
- 11) ACCURACY: ± 2% OF DIAL RANGE.
- 12) SWITCH SETTING ACCURACY: ± 2% OF DIAL RANGE.
- 13) TO ADJUST SWITCH INDICATOR (S):
 A) REMOVE BEZEL AND LENS ASSEMBLY.
 B) LOOSEN SCREWS AND MOVE SWITCH SETTING INDICATOR TO DESIRED SETTING. RE-TIGHTEN SCREWS.
 C) REPLACE BEZEL AND LENS ASSEMBLY.
- 14) TO CHECK SWITCHES OPERATION MANUALLY:
 A) REMOVE BEZEL & LENS ASSY.
 B) TURN POINTER CLOCKWISE PAST THE SWITCH SETTING INDICATOR.
 C) SLOWLY RETURN THE POINTER TO ITS ORIGINAL POSITION.
 D) REPLACE BEZEL AND LENS ASSY.
- 15) **CAUTION!** POINTER SHOULD NEVER BE TURNED COUNTERCLOCKWISE.
- 16) SWITCH SETTING ADJUSTABILITY: -11° TO 151°C.
- 17) CAPILLARY BENDING RADIUS: .784 (20 mm) MIN.
- 18) CASE CONFORMS TO IP65 REQUIREMENTS.



WIRING DIAGRAM



LET	DATE	ALTERATION	C.N.
-	1-28-16	UPDATED TO CASE/SCREW ON BEZEL DESIGN	34519
-	3-13-00	ADD (2) ADP-152-1 CABLE GRIP ADAPTORS	20988
-	3-27-98	UPDATED VIEW TO SHOW CAPPLUGS INSTALLED	19340

QUALITROL.

DIMENSIONS AND TOLERANCES IN ACCORDANCE WITH ASME Y14.5M-1994

PH. (585) 586-1515
 FAX (585) 377-0220

1385 FAIRPORT ROAD
 FAIRPORT, NY 14450
 FORM 0-473 REV. F 04/06/06

TITLE: 6" REMOTE MT. THERMO. (2 SWITCHES)

MODEL NO. 104-324-28