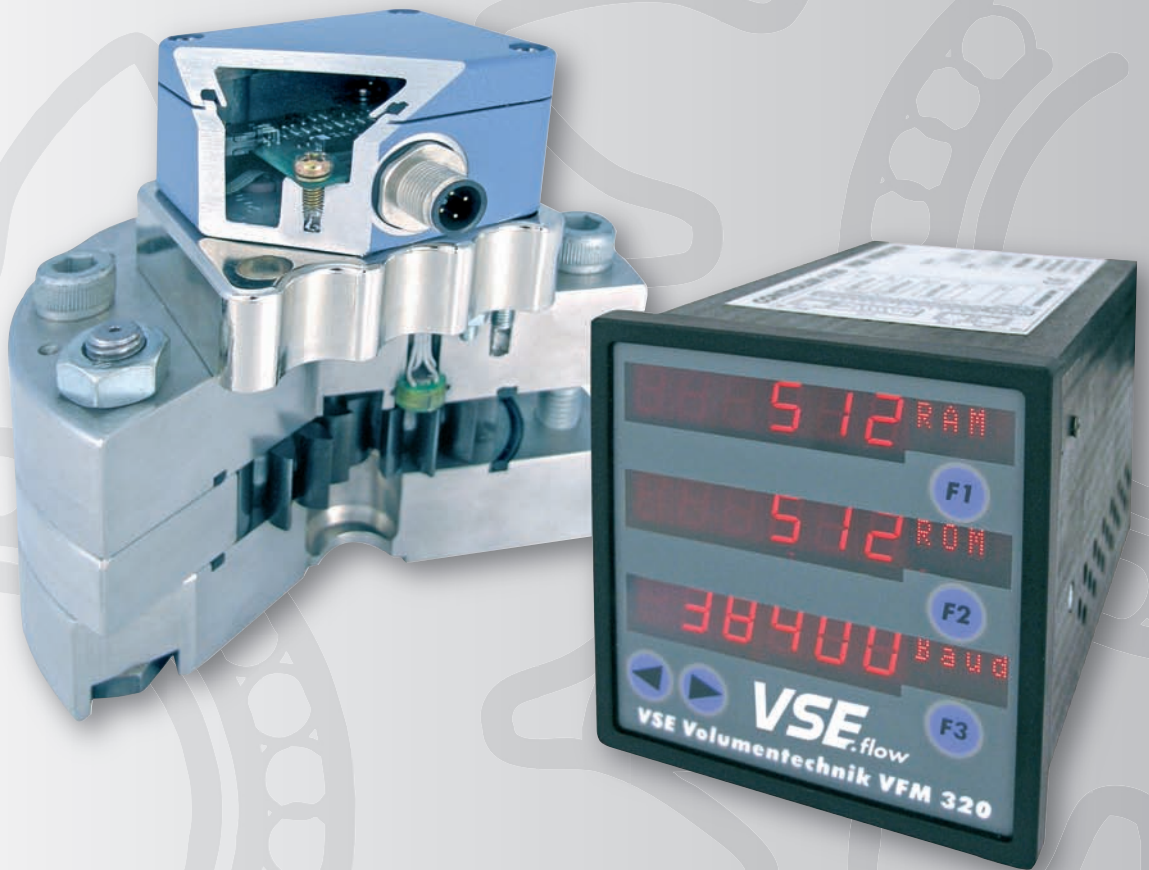
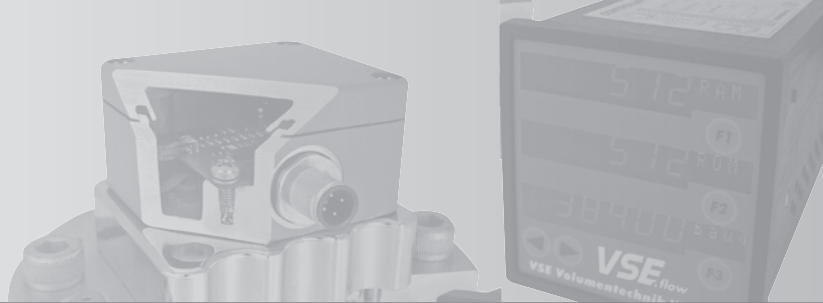


FLOW MEASUREMENT TECHNOLOGY



VS SERIES



► VS POSITIVE DISPLACEMENT FLOW METERS

VS FLOW METER

- VS positive displacement flow meters are volume rate measuring sensors based on the meshing gear principle and are designed for use with liquids. Two precisely matched gear wheels are enclosed in a very accurately machined housing. Gear rotation is sensed by a non-contacting signal pick-up system. Each tooth produces one impulse.

- The space between the gear teeth, when fully enclosed on both sides by the housing, constitute measuring chambers. Fluid flow causes the gears to rotate and the incoming flow is separated into discrete volumes within these chambers i. e. the volume of liquid passing through the unit will cause rotation of the gears by exactly one tooth pitch.

- This volume is known as the Volume/Impulse (Vm) and is stated in cc/Imp. It is used to define the size of a flow meter.

EXPLANATIONS TO PREAMPLIFIER OF SIGNAL PICK-UP SYSTEM

- The non-contact pick-up sensors consist of two differential magneto resistors which are circumferentially offset from one another by 1/4 of a tooth pitch. The signals of both pick-up sensors are digitized with two signal amplifiers and amplified via followed shortcircuit proof push-pull output stages.

The square wave output signals are bidirectional and may be simply processed by any external electronics, plc control or computer. The processing of the 90° phase angle between signals enables recognition of flow direction and impulse rate conversion with a factor of 1, 2 and 4.


- The signal frequency is proportional to the momentary flow rate (volume rate) dependent on the particular flow meter size. The frequency range extends from 0 - 2000 Hz. The preamplifier is protected against reverse polarity and incorrect connection. For medium temperatures between -30° C and 120° C (-22° F and 248° F) the unit is mounted directly on the flow meter cover.

- For liquid temperatures up to 210° C (410° F) a special pick up system is available.

VSI-HIGH DEFINITION PREAMPLIFIER

- The VSI High Definition Preamplifier supplies digital signals with a higher resolution of the measured value. The resolution can be programmed between 4 and 64 angle steps and it enables a frequency multiplication up to factor 16. The K-factor of the flow meter can be increased up to factor 64. The maximum frequency at full flow can be 26 kHz.

EX-TYPES

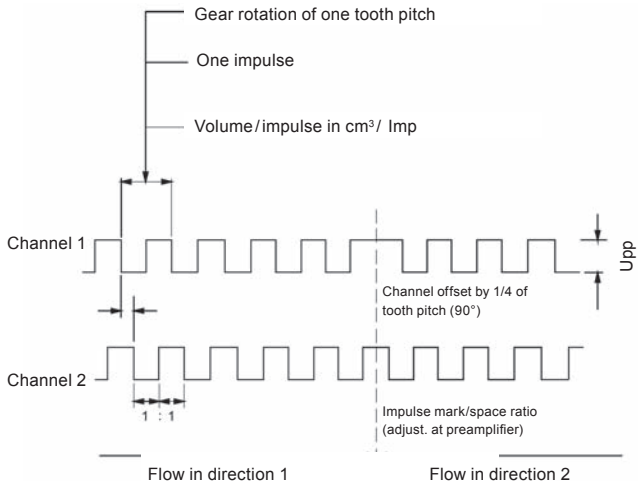
- Intrinsically safe models, with approval code  I 1G EEx ia IIC T4-T6, are supplied for applications in potentially hazardous areas. VSE delivers these types with isolation switch amplifier models MK 13 P Ex Ex0/21 VDC/K15.

VS FLOW METER SELECTION

- For trouble-free and safe operation of the flow meters the correct selection of type and size is decisive. Due to the great number of different applications and flow meter versions, the technical data in the VSE-catalogues are of general character. Certain characteristic of the devices depend on type, size and measuring range as well as on the medium to be measured. For exact flow meter selection please contact VSE.

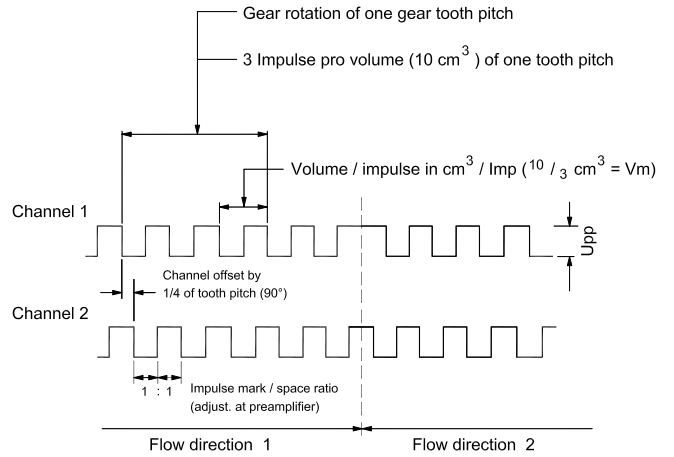
OUTPUT SIGNALS OF PREAMPLIFIER

FLOW METER VS 0,02... VS 4



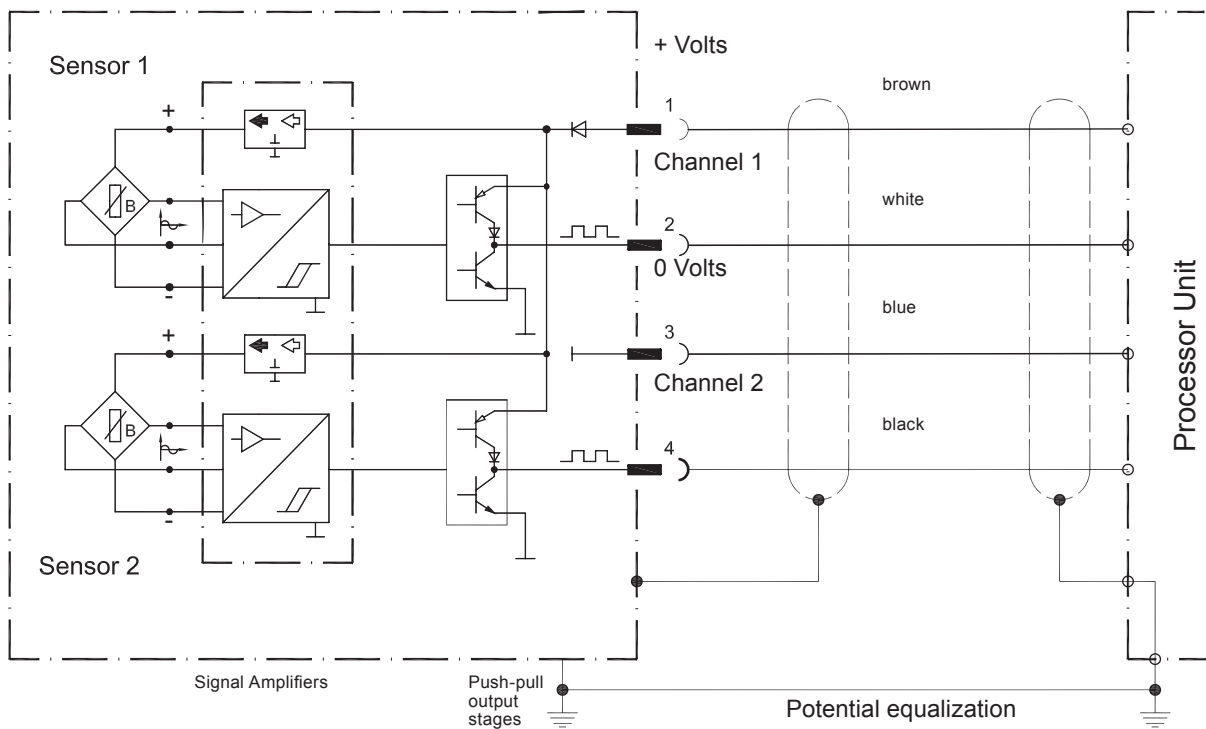
* VOLTAGE RANGES
 supply voltage: UV = 10 28 V DC
 impulse voltage: Upp= UV - 1V

FLOW METER VS 10



* VOLTAGE RANGES
 supply voltage: UV = 10 28 V DC
 impulse voltage: Upp= UV - 1V

BLOCK DIAGRAM



▶ RANGES OF APPLICATIONS

APPLICATIONS

• All liquids that can be pumped and have known lubrication properties can be measured, for example: Petrol, paraffin, kerosene, diesel; Skydrol, mineral oils, hydraulic oils including fire resistant fluids; inks, dyes and paints; greases; polyurethane, polyol and isocyanates; Araldite; glues, pastes and creams; resins; waxes ... and many others.

RANGES OF APPLICATIONS IN THE AUTOMOTIVE INDUSTRY

- Braking system test stands
- Fuel consumption measurement
- Polyurethane foams for steering wheels, fascia, seats etc.
- Paint spraying systems
- Steering systems
- Batching and filling of motor oils, brake fluids, anti-freeze, rust preventatives, waxes etc.
- Adhesive coatings for windscreens, headlights, engine housings etc.

HYDRAULICS

- Volume and flow rate measurement
- Leakage and rupture monitoring
- Cylinder speed and position measurement
- Positioning and step control
- Measurement, control and regulation of flow rates and volumes
- Test stands for pumps, motors, valves, proportionals and servo-valves
- Synchronised multi-cylinder monitoring
- Filling and additive blending

DYES AND PAINTS

- Paint spraying systems
- Batching and filling
- Volume, flow rate and consumption
- Monitoring of mixing ratios

PLASTICS TECHNOLOGY

- Mixing, moulding and batching systems for single and multicomponent fluidplastics
- Consumption measurement of e.g.: Epoxy adhesives and potting compounds (resins and hardeners) for transformers, coils, relays, condensers, armatures, initiators, auto-electronics
- Measuring, control and regulation of single components and mixing ratios
- Silicon potting compounds
- Polyurethane foams (polyol and isocyanate) for steering wheels, seals, shoes, soles, surf boards, furniture, computer casings, isolation etc.
- hot adhesive

CHEMICAL INDUSTRY

- Flow rate and volume measurement in process plant and plant systems
- Blending and filling chemical products such as liquid plastics adhesives, resins, hardeners, potting, compounds, solvents, fuels, foames plasticisers, dyes and paints, oils and synthetic products etc. application in laboratories and manufacturing plants (in normal and hazardous areas)
- Control and regulation of single components, mixing ratios and consumption of various components
- Leakage measurement and leakage monitor on plant
- Measurement, indication and logging of data for product quality assurance

SPECIAL DESIGNS ON REQUEST

- The issue of this catalogue invalidates all specifications in earlier publications. Changes and deviations are reserved by VSE. VSE will not accept liability for printing errors. Reproduction, including excerpts, is only permitted with written permission by VSE. Revision: 09/2007

► TECHNICAL DATA OVERVIEW

Size	Flow Range*		K-Factor	
	l/min	GPM	l/min	Imp./Gal.
VS 0.02	0.002 2	0.0005 0.53	50 000	189272
VS 0.04	0.004 4	0.0011 1.06	25 000	94636
VS 0.1	0.01 10	0.0026 2.64	10 000	37854.4
VS 0.2	0.02 18	0.0053 4.76	5 000	18927.2
VS 0.4	0.03 40	0.0079 10.57	2 500	9463.6
VS 1	0.05 80	0.0132 21.13	1 000	3785.44
VS 2	0.1 120	0.0264 31.70	500	1892.72
VS 4	1 250	0.2642 66.00	250	946.36
VS 10**	1.5 525	0.39 138.00	300	1135
	*at 21 cSt	*at 21 cSt		

CALCULATION FACTOR

- 1 litre = 0.26417 U.S.Gallon
- 1 U.S.Gallon = 3.78544 litre
- 1 bar = 14.503684 psi
- 1 psi = 0.068948 bar

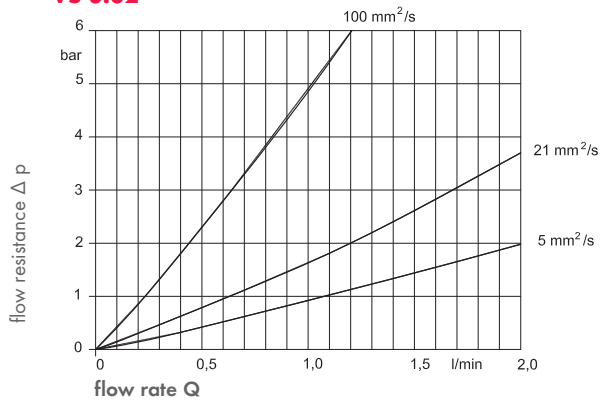
$$^{\circ}\text{C} = \frac{5 \times (^{\circ}\text{F} - 32)}{9} \quad \text{psi} = \text{pound-weight per square inch}$$

$$^{\circ}\text{F} = \frac{9 \times ^{\circ}\text{C}}{5} + 32 \quad \text{GPM} = \text{U.S.Gallon per minute}$$

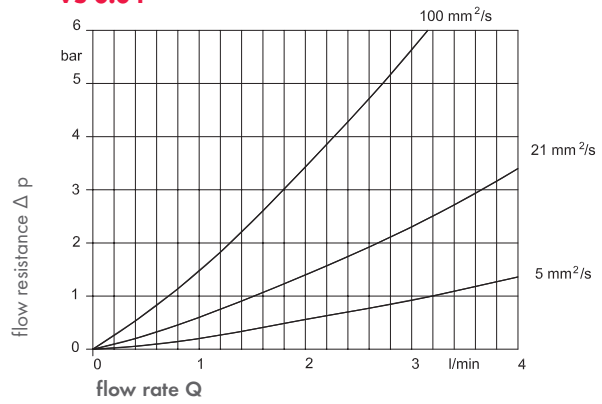
Accuracy	± 0.3 % of measured value at viscosity > 20 cSt (< 20 cSt reduced accuracy)		
Repeatability	± 0.05 % under same operating conditions		
Materials	Body EN-GJS-400-15 (EN 1563) Stainless Steel 1.4305	Bearings Ball / Plain / Plain (Copper-free) depend on liquid.	Seals FPM (Standard) NBR, PTFE, EPDM
Max. Operating Pressures	Cast Iron 315 bar/4568 psi	Stainless Steel 450 bar / 6526 psi	
Medium Temperature	Standard Ex-design High temperature	-30 ≤ ... 120° C -20 ≤ ... 100° C -40 ≤ ... 210° C	
Viscosity Ranges	1...100 000 cSt		
Mounting Positions	unrestricted, on subplate with side or bottom connections		
Filtering for ball bearing type	VS 0.02/0.04/0.1 10 µm VS 0.2/0.4 20 µm VS 1/2 50 µm VS 4 50 µm	Exceptions flow meter with special clearance on request.	
Noise Level	max. 72 dB(A)		
Preamplifier	10 to 28 Volt (DC)		

▶ FLOW RESPONSE CURVES

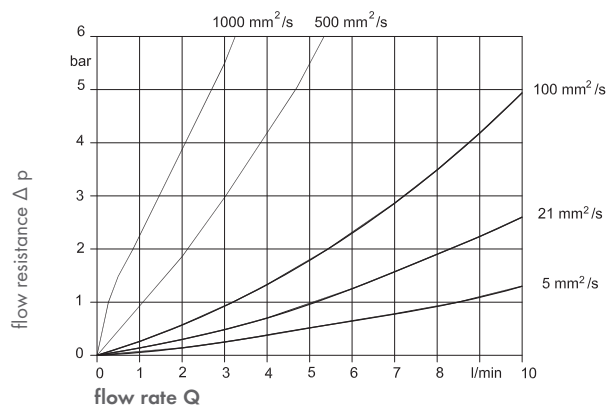
VS 0.02



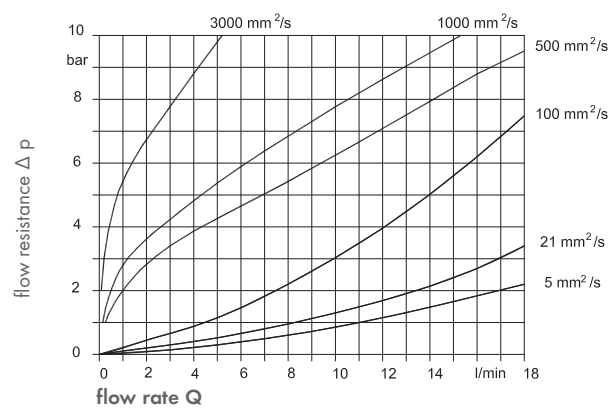
VS 0.04



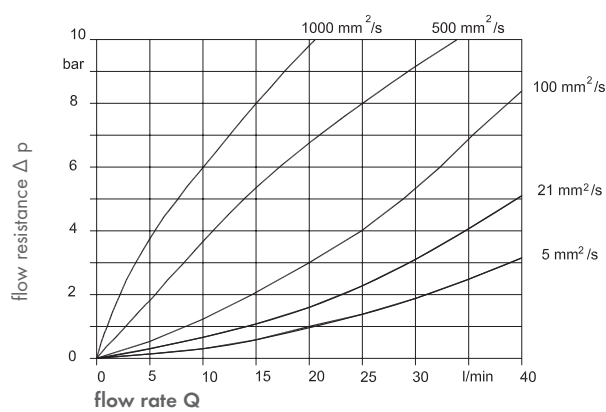
VS 0.1



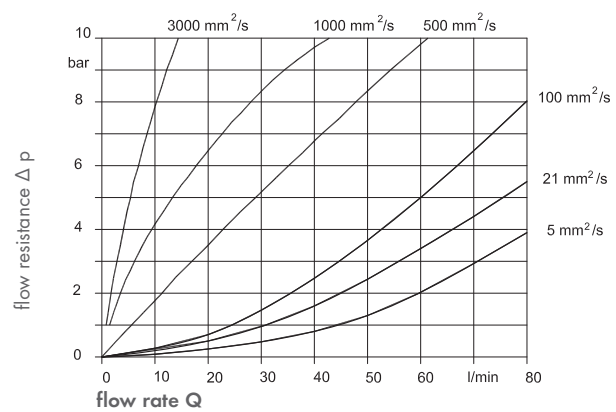
VS 0.2



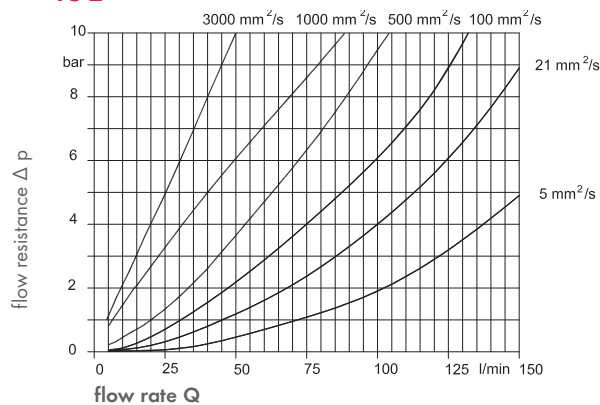
VS 0.4



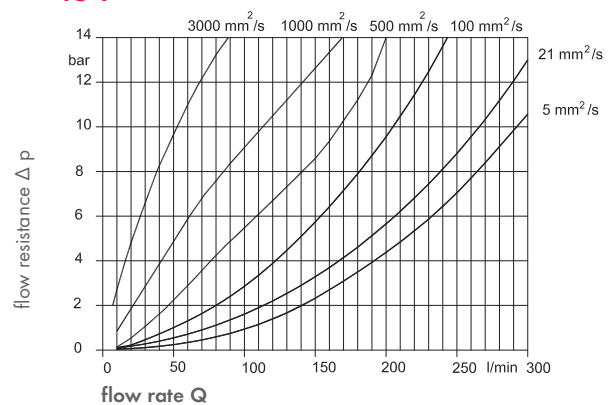
VS 1



VS 2



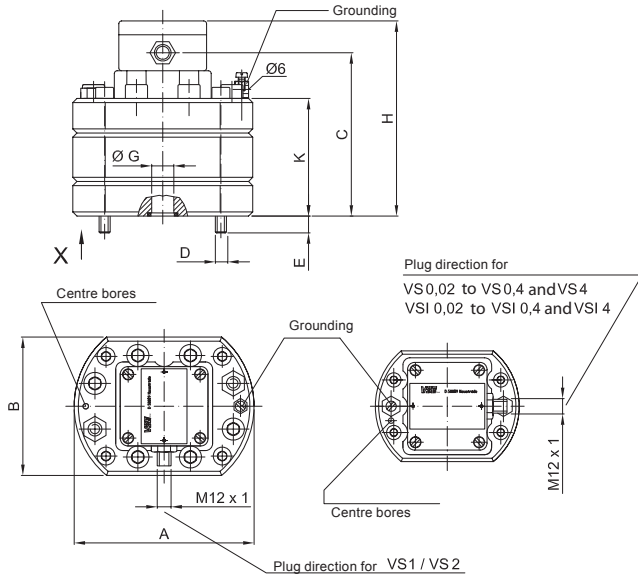
VS 4



▶ VS FLOW METER DIMENSIONS

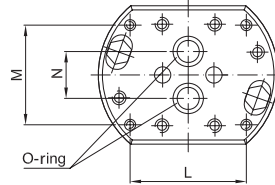
CAST IRON VERSION

- Housing curve mill cutted



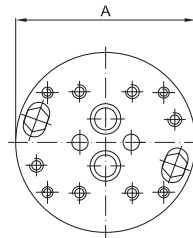
CAST IRON VERSION CONNECTION DRAWING

- View X



STAINLESS STEEL VERSION CONNECTION DRAWING

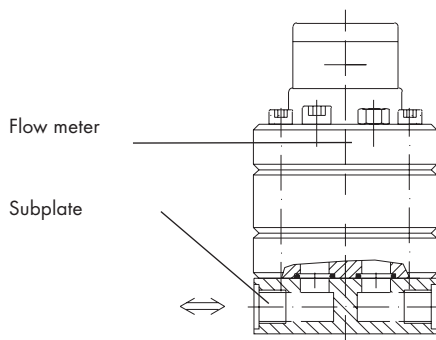
- Housing not mill cutted
- View X



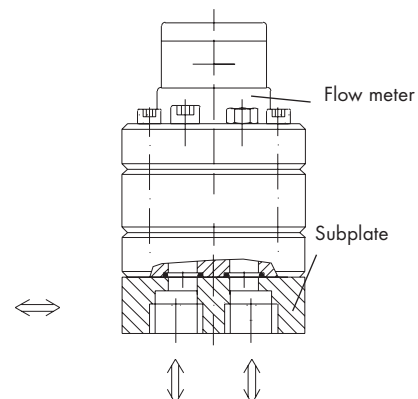
Size VS / VSI	A	B	C	D	E	ø G	H	K	L	M	N	O-ring	Weight GG kg
0.02	100	80	91	M 6	12.5	ø 9	114	58	70	40	20	11 x 2	2.8
0.04	100	80	91.5	M 6	11.5	ø 9	114.5	58.5	70	40	20	11 x 2	2.8
0.1	100	80	94	M 6	9	ø 9	117	61	70	40	20	11 x 2	2.8
0.2	100	80	93.5	M 6	9.5	ø 9	116.5	60.5	70	40	20	11 x 2	3.0
0.4	115	90	96.5	M 8	11.5	ø 16	119.5	63.5	80	38	34	17.96 x 2.62	4.0
1	130	100	101	M 8	12	ø 16	124	68	84	72	34	17.96 x 2.62	5.3
2	130	100	118	M 8	15	ø 16	141	85	84	72	34	17.96 x 2.62	6.7
4	180	140	143	M 12	20	ø 30	166	110	46	95	45	36.17 x 2.62	14.7

- GG = Cast Iron EN-GJS-400-15 (EN 1563)
- E = Stainless Steel 1.4305
- Dimensions are specified in mm

SIDE PORTS



BOTTOM PORTS



▶ AP SUBPLATE DIMENSIONS

SIDE PORTS

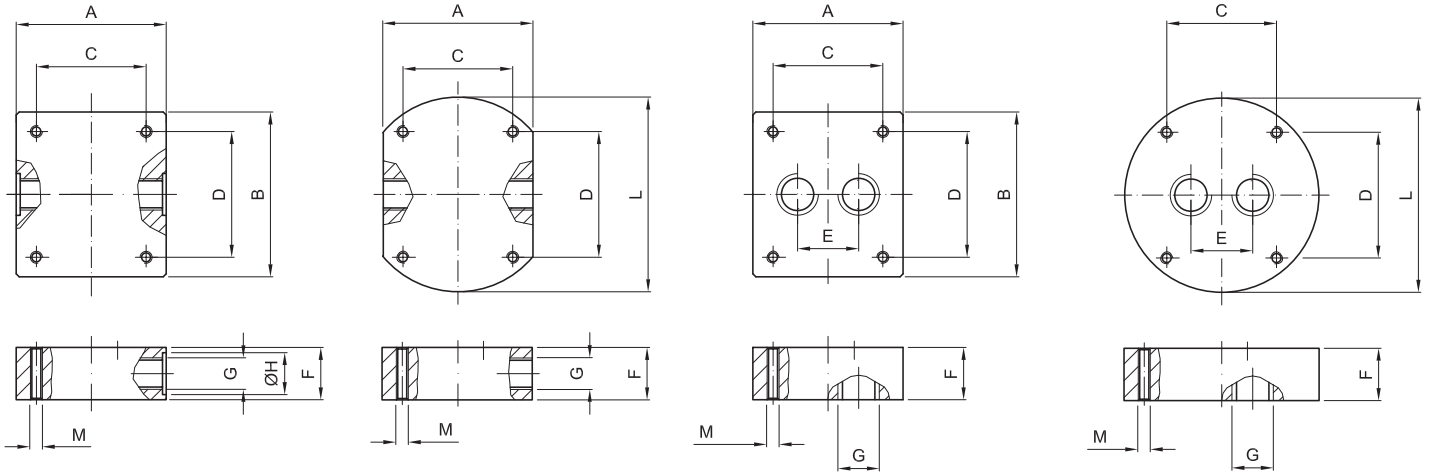
BOTTOM PORTS *

Cast Iron / APG.S.../.

Stainless Steel / APE.S.../.

Cast Iron / APG.U.../.

Stainless Steel / APE.U.../.



* Both bottom ports (G) for size APG 4 U and APE 4 U have a displacement of 90° to the shown drawings.

AFFILIATED SIZE	VS / VSI	G PIPE THREAD CLASSIFICATION	G	F	Ø H	E ①
	0.02 / 0.04		0.1 / 0.2	G 1 / 4	35	Ø 20
0.02 / 0.04	0.1 / 0.2	G 3 / 8	35	Ø 23	30	
0.02 / 0.04	0.1 / 0.2	G 1 / 2	35	Ø 28	38	
0.4 / 1 / 2	0.4 / 1 / 2	G 1 / 2	35	Ø 28	46	
1 / 2	4	G 3 / 4	40	Ø 33	52	
4	4	G 1"	55	Ø 41	55	
4	4	G 1 1 / 4	70	Ø 51	60	
4	4	G 1 1 / 2	AP.U=70	Ø 56	72	
4	4	G 1 1 / 2	AP.S=80	Ø 56	72	

Size							Depth	Weight
VS / VSI	AP	A	B	C	D	L ②	M	kg
0.02/0.04	AP.02	80	90	40	70	100	M6/12	1.8
0.1/0.2								
0.4	AP.04	90	100	38	80	115	M8/15	2.7
1/2	AP.1	100	110	72	84	130	M8/15	3.6
4	APG4	120	130	100	110	-	M8/15	7.4
	APG4 UG	140	120	120	100	-	M8/15	7.4
	APE.4	140	-	100	110	180	M8/15	12

① Only for APG.U .../ . ; APE.U .../ .

② Only for APE.S .../ . ; APE.U .../ .

Special designs on request

► VS 10 FLOW METER

TECHNICAL DATA

Size	Flow range l/min	GPM	K-Factor Imp./l	Imp./Gal.
VS 10	1.5 ... 525	0.3963 ... 138.69	300	1135.63

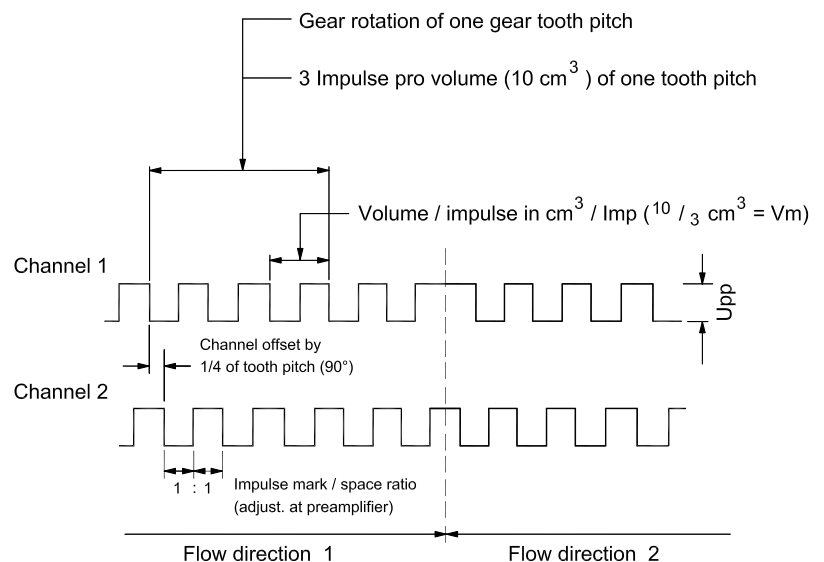
Accuracy	± 0.3 % of measured value at viscosity > 20 cSt (< 20 cSt reduced accuracy)		
Repeatability	± 0.05 % under same operating conditions		
Materials	Body	Bearings	Seals
	EN-GJS-600-3 EN 1563	Ball/Plain gearings depend on liquid.	FPM (Standard) NBR, PTFE, EPDM
Max. Operating Pressure	400 bar / 6000 psi		
Medium Temperature	Standard	-30 ≤ ... 120° C	
	Ex-design	-20 ≤ ... 100° C	
	High temperature	not available	
Viscosity Range	1 ... 100 000 mm ² /s		
Mounting Positions	unrestricted, on subplate with side or bottom connections		
Filtering	50 µm		
Preamplifier	short circuit proof and reverse polarity proof 10 ... 28 V DC / 45 mA, additional current on signal output max. 20 mA		

OUTPUT SIGNALS OF PREAMPLIFIER

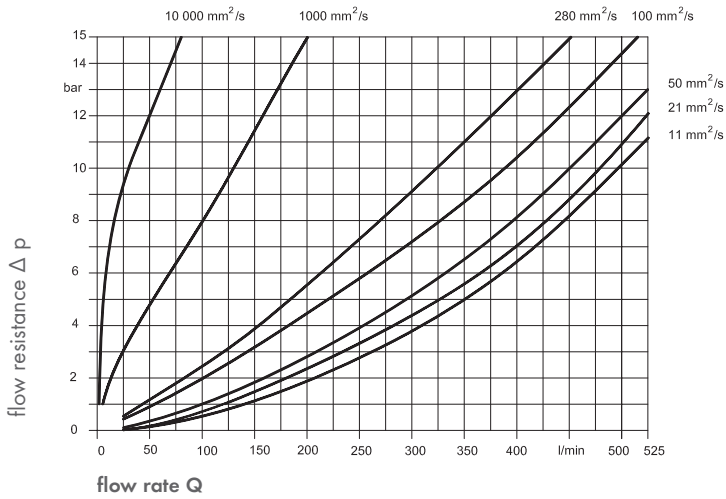
VOLTAGE RANGES

Supply voltages: $U_v = 10 \dots 28 \text{ V DC}$

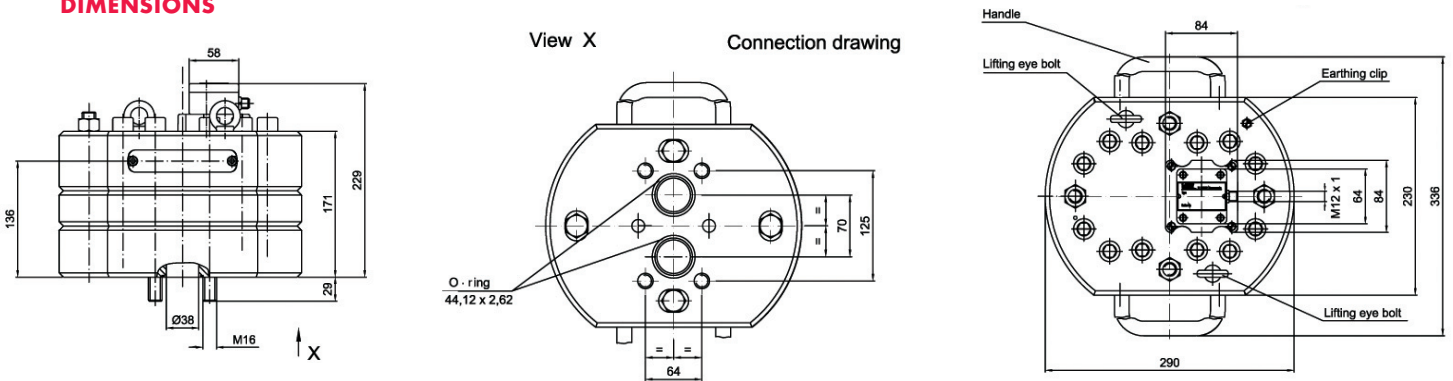
Impulse voltages: $U_{ss} = U_v - 1 \text{ V}$



FLOW RESPONSE CURVES



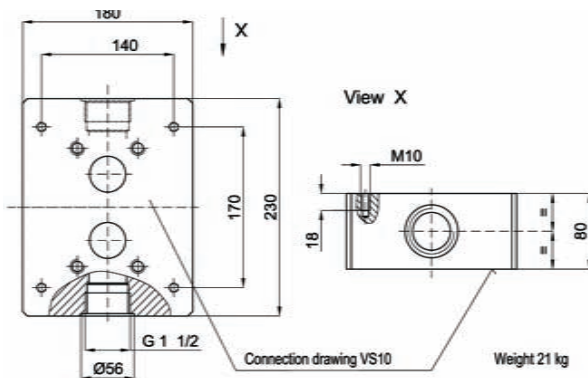
DIMENSIONS



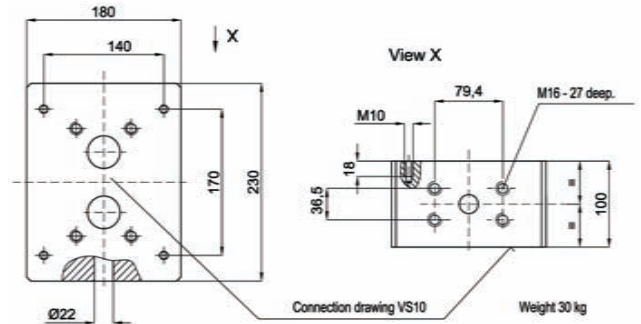
Dimensions are specified in mm

SUBPLATE DIMENSIONS

APG 10 S GON / 1

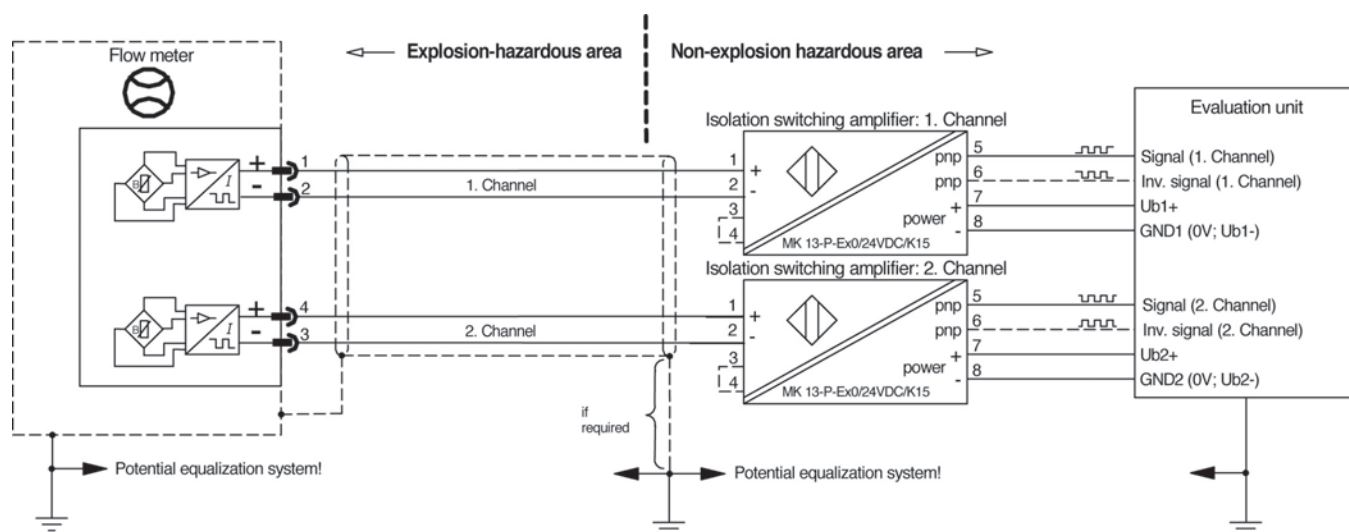


APG 10 S WON / 1



Dimensions are specified in mm

► VSE FLOW METERS IN EX-DESIGN / THE BARRIER AMPLIFIER



VSE FLOW METERS IN EX-DESIGN

The VSE flow meters of the VS-series in ex-design are approved for applications in potentially hazardous areas and are always operated in conjunction with one or two barrier amplifiers. They have blue markings and offer the necessary Ex-protection security. The type plate shows the necessary description according to DIN EN 50014, the type key and the safety-related and electric data. VSE can supply the flow meters with the barrier amplifiers type MK 13-P-Ex 0/24 VDC/K15.

THE BARRIER AMPLIFIER MK 13-P-EX 0/24 VDC/K15

The barrier amplifier MK 13-P-Ex 0/24 VDC/K15 makes a galvanic isolated transmission of binary switching status possible. It has an intrinsically safe control circuit and is certified according to II(1) GD (EExial) IIC.

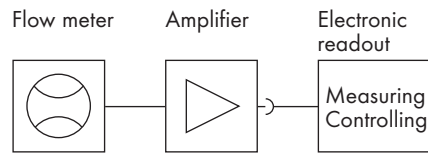
There is a galvanic separation from the control circuit to the output circuit and to the power supply. For the transmission of two channels, two barrier amplifiers of this version are necessary. The control circuit can be monitored concerning wire breaking and short circuit (the monitoring can be switched off via a wire jumper).

An error in the control circuit stops the signal output but is not displayed as an error message. Two plus-switching (PNP-outputs) short circuit proof transistor outputs display the digital signal of a channel antivalently.

Flow meter	VSE connection cable, blue, PUR,	Barrier amplifier																				
Typ VS****-32 Q1*/*	shielded; 4 x 0,34 mm ²	Typ MK 13-P-Ex 0/24 VDC/K15																				
BVS 05 ATEX E 071 X	PUR	PTB 06ATEX 2025																				
⊕ II 1G EEx ia II C T4-T6		⊕ II (1) G [EEx ia] II C																				
$U_i = 18,5 \text{ V}$	$R = 0,053 \Omega/\text{m}$	$U_o = 9,9 \text{ V}$																				
$I_i = 24 \text{ mA}$	$L = 0,85 \mu\text{H}/\text{m} \quad (\text{x})$	$I_o = 22 \text{ mA}$																				
$P_i = 100 \text{ mW}$	$C_{A-A} = 55 \text{ pF}/\text{m} \quad (\text{x})$	$P_o = 54 \text{ mW}$																				
$R_i = 0$	$C_{A-S} = 105 \text{ pF}/\text{m} \quad (\text{x})$																					
$L_i = 0$	[(x) = measured at 1000 Hz]																					
$C_i = 0,27 \mu\text{F}$																						
		<table border="1"> <thead> <tr> <th colspan="3">IIC</th> <th colspan="3">IIB</th> </tr> </thead> <tbody> <tr> <td>L_o/mH</td> <td>1</td> <td>5</td> <td>10</td> <td>2</td> <td>10</td> <td>20</td> </tr> <tr> <td>$C_o/\mu\text{F}$</td> <td>1,5</td> <td>0,75</td> <td>0,65</td> <td>5</td> <td>3,5</td> <td>3</td> </tr> </tbody> </table>	IIC			IIB			L_o/mH	1	5	10	2	10	20	$C_o/\mu\text{F}$	1,5	0,75	0,65	5	3,5	3
IIC			IIB																			
L_o/mH	1	5	10	2	10	20																
$C_o/\mu\text{F}$	1,5	0,75	0,65	5	3,5	3																

temperature class	T4	T5	T6
ambient temperature	$-20 \text{ }^\circ\text{C} \leq T_{\text{amb}} \leq 95 \text{ }^\circ\text{C}$	$-20 \text{ }^\circ\text{C} \leq T_{\text{amb}} \leq 70 \text{ }^\circ\text{C}$	$-20 \text{ }^\circ\text{C} \leq T_{\text{amb}} \leq 55 \text{ }^\circ\text{C}$
liquid temperature	$-20 \text{ }^\circ\text{C} \leq T_{\text{Med}} \leq 100 \text{ }^\circ\text{C}$	$-20 \text{ }^\circ\text{C} \leq T_{\text{Med}} \leq 75 \text{ }^\circ\text{C}$	$-20 \text{ }^\circ\text{C} \leq T_{\text{Med}} \leq 60 \text{ }^\circ\text{C}$

► PICK-UP SYSTEM FOR HIGH TEMPERATURE RANGES



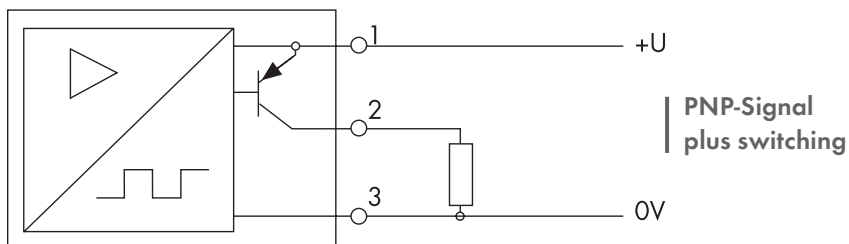
OPTION FOR STAINLESS-STEEL FLOW METERS VS 0,04 ... VS 4

- The pick-up system consists of one or two sensor units which are screwed into the cover of the VS flow meter and of a downstream switched amplifier. This amplifier is connected with the flow meter by means of a temperature resistant cable and has to be installed outside the high temperature area, where the ambient temperature should not exceed 50°C (122°F).

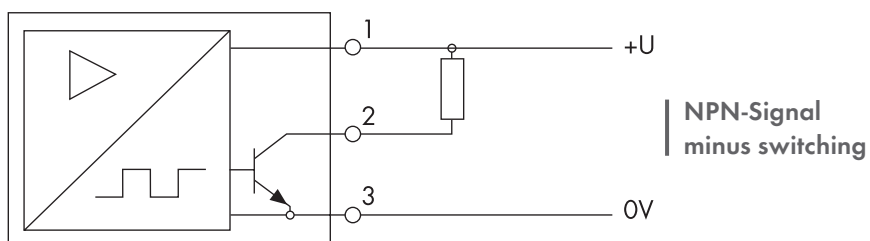
- Depending on the amplifier version, the digital signals are output as PNP or NPN switching signals. The following pictures show the respective connection of the electronic readout:

- For long cable lengths and high input impedance of the read out it is recommended to use shielded cables and a pull-down (PNP-signal) or a pull-up (NPN-signal) resistors.

CONNECTION: PNP-SWITCHING



CONNECTION: NPN-SWITCHING



► TECHNICAL DATA / FLOW METER DIMENSIONS

TECHNICAL DATA: SENSOR UNIT

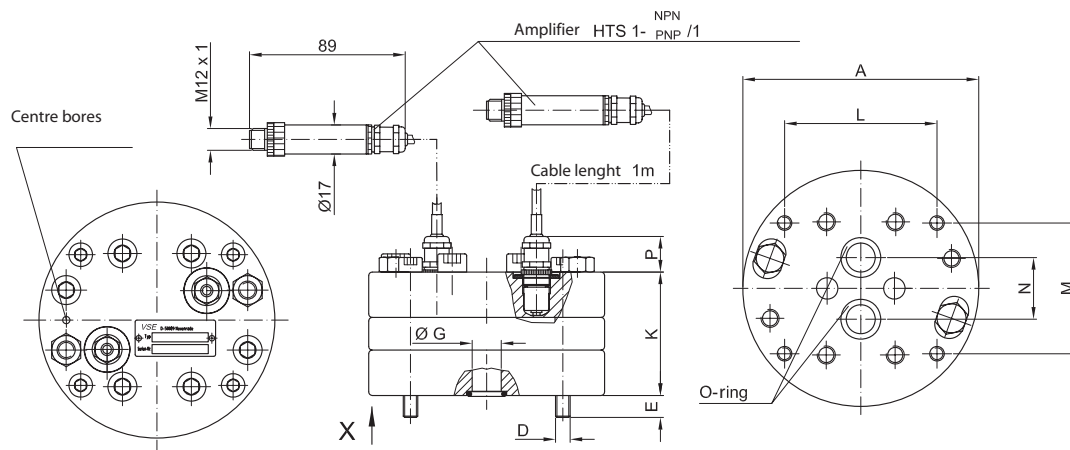
Medium Temperature	-40° C ... 210° C
Number of pick-ups	1 or 2 pick-ups
Pick-up	Magnetostrictive
Electrical Connection	PG- cable fitting
Isolation-Protection	IP 64

TECHNICAL DATA: AMPLIFIER

Supply Voltage	$U_b = 10 \dots 30 \text{ V}$ DC +/- 10-%
Current Consumption	$I_b = \text{ca. } 15 \text{ mA}$ (idle motion, without load)
Signal Output PNP	High Sign: $-U_s = U_b - 1 \text{ V}$, $I_s = 25 \text{ mA max.}$
Signal Output NPN	Low Sign: $-U_s = 0 \text{ V}$, $I_s = 25 \text{ mA max.}$
Electrical Connection	4-pole round plug M 12
Max. Ambient Temperature	50° C
Protection-class	IP 64
Pull-down Resistor	4.7 ... 10 K Ω
Pull-up Resistor	4.7 ... 10 K Ω

FLOW METER DIMENSIONS

VIEW X



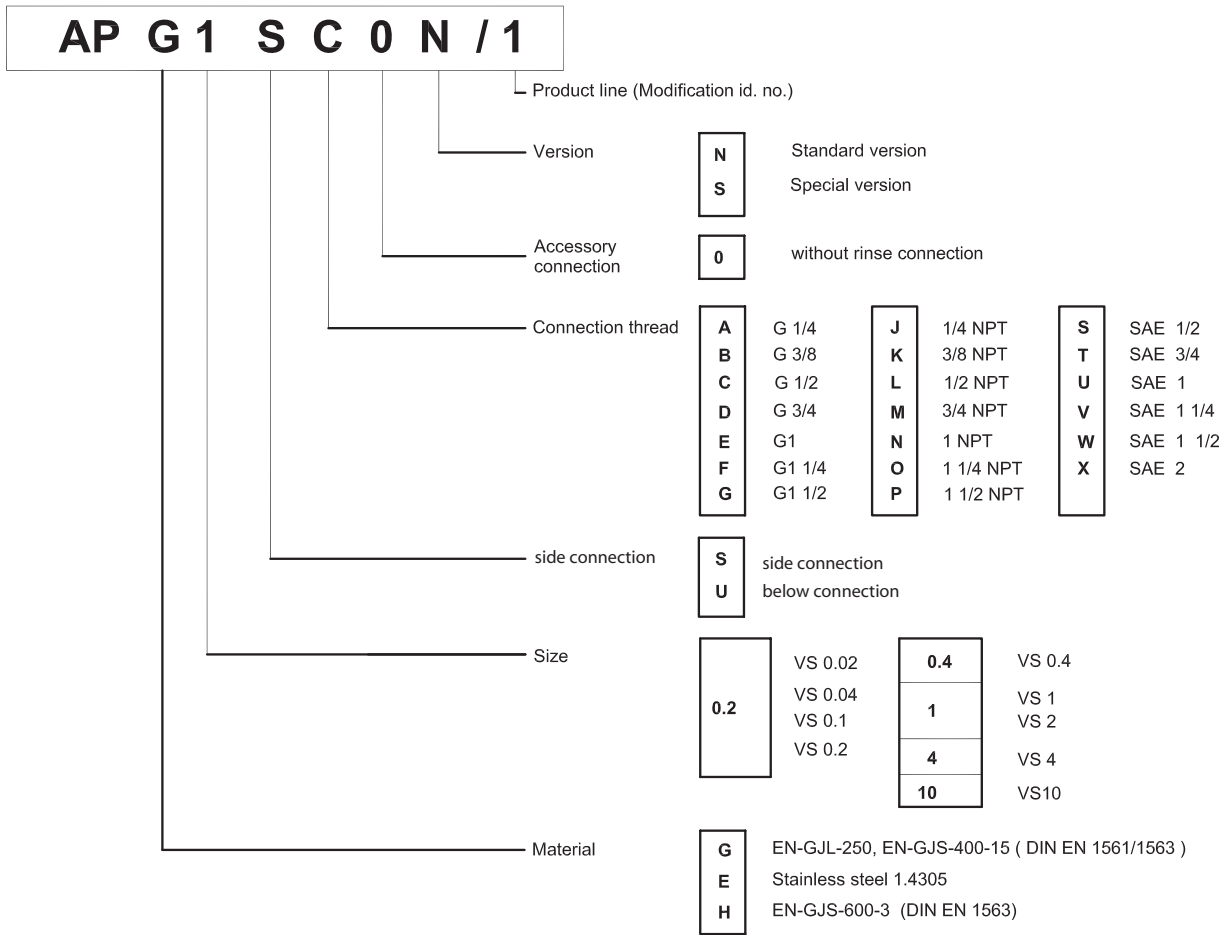
Size	A	D	E	ø G	K	L	M	N	P	O-ring	Weight kg
VS 0.04*	100	M 6	11.5	ø 9	58.5	70	40	20	22	11 x 2	3.5
VS 0.1	100	M 6	9	ø 9	61	70	40	20	22	11 x 2	3.3
VS 0.2	100	M 6	9	ø 9	60.5	70	40	20	22	11 x 2	3.6
VS 0.4	115	M 8	11.5	ø 16	63.5	80	38	34	22	17.96 x 2.62	4.9
VS 1	130	M 8	15	ø 16	68	84	72	34	22	17.96 x 2.62	6.7
VS 2	130	M 8	12	ø 16	85	84	72	34	22	17.96 x 2.62	8.3
VS 4	180	M 12	20	ø 30	110	46	95	45	12	36.17 x 2.62	18.3

*Attention: * 0.04 with one (1) channel only

► SUBPLATES AP

SUBPLATES AP

EXAMPLE



► FLOW METERS WITH HIGH DEFINITION PREAMPLIFIER

FLOW METERS WITH HIGH DEFINITION FLOW RATE

The preamplifiers of the standard version for flow meters of the "VS" product line output one pulse per tooth-gap volume V_Z , which corresponds to the volume measurement V_m ($V_m = V_Z / \text{pulse}$). This occurs in two channels, so that a maximum resolution of $1/4 V_Z$ for the evaluation of all flanks can be attained. A higher resolution is not possible with these preamplifiers.

But since as high a resolution as possible is necessary for precise and exact flow and volume measurements, the volume measurement V_m must be resolved even more than is the case with conventional preamplifiers. VSE has therefore developed the preamplifier with interpolation, with which a selectable resolution of up to 64 flanks (16 pulses) per period can be attained. This means that you can resolve the volume measurement V_m with this preamplifier to a maximum of $1/64 V_m$. For the evaluation, this means that a part volume of $1/64 V_m$ from pulse flank to pulse flank (for quadruple evaluation or flank count) is measured, or a full signal pulse is counted as part volume of $1/16 V_m$ (pulse count) (interpolation $V_m/16$).

This individually programmed high resolution enables you to set the volume measurement V_m optimally for each provided case of application. Furthermore, new applications can be availed of with the higher resolution

- Measuring, controlling and regulating in lower flow ranges
- Measuring, controlling and regulating in zero flow
- Measuring, controlling and regulating in both flow directions
- Measuring, controlling, dosing and filling of small volumes

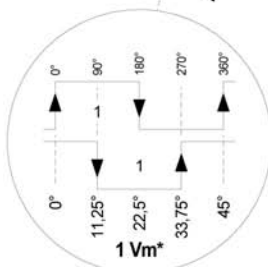
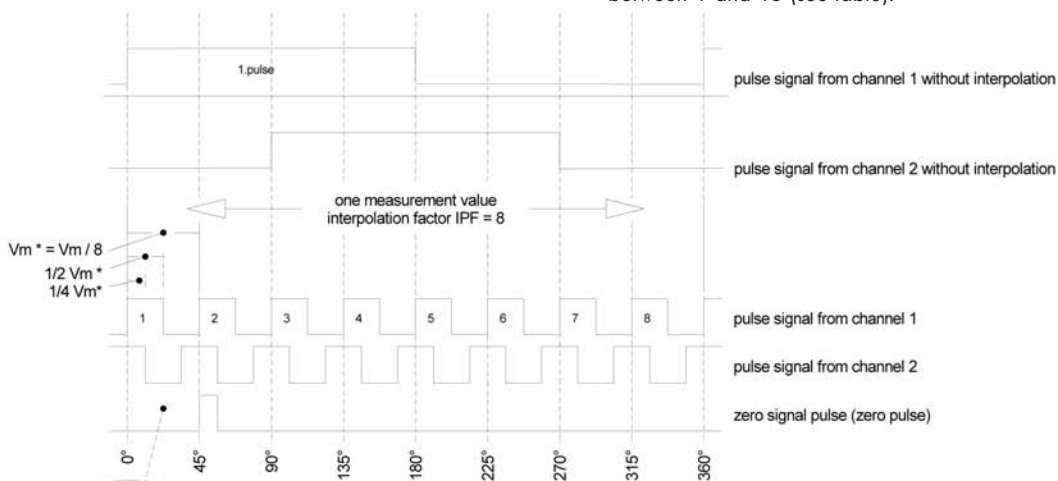
Flow meters with interpolation electronics (VSI) output two digital signals with programmable high resolution that are phase-offset 90° . In addition to the signal emission, a zero signal emission is provided which emits a zero signal at each fully registered volume measurement V_m .

FIGURE SIGNAL EMISSION OF THE PREAMPLIFIER WITH INTERPOLATION

Fig. shows the resolution of the volume measurement V_m with an interpolation factor of 8. This resolves each volume measurement into eight individual part volumes. A pulse on the signal output of channel 1 or channel 2 thus has a value of $V_m^* = V_m / 8 = 1/8 V_m$ per pulse. In double evaluation (flank evaluation of one channel) this results in a value of $1/2 V_m^* = V_m / 16 = 1/16 V_m$ and for quadruple evaluation (flank evaluation of both channels) the result is a value of

$1/4 V_m^* = V_m / 32 = 1/32 V_m$ per flank. Evaluation electronics can recognize flow direction from signals offset 90° .

The preamplifier of the "VSI" product line has a programmed interpolation factor (IPF) with which you can program new, different resolutions. Hence you can program a resolution of 4 to 64 angular steps (see Fig. 4) per volume measurement V_m . The frequency multiplication "f*" lies between 1 and 16 (see table).



Division of a single pulse into 360° .
All other signal pulses can be regarded in this way.
Evaluation electronics recognize flow direction from the channel offset of 90° .
Each individual pulse flank is offset 90° and has a value of $1/4 V_m^*$.

► INTERPOLATION FACTOR AND RESOLUTION

Interpolation factor	Imp/V _m	Max. resolution (evaluation of signal flanks)	Resolution V _m [*] (volume measurement V _m [*]) [ml]	Max. resolution (angle degrees)	Frequency f _{max} [*]
1	1	4 (quadrupling)	V _m / 4	90°	f _{max} × 1
2	2	8	V _m / 8	45°	f _{max} × 2
3	3	12	V _m / 12	30°	f _{max} × 3
4	4	16	V _m / 16	22.5°	f _{max} × 4
5	5	20	V _m / 20	18°	f _{max} × 5
8	8	32	V _m / 32	11.25°	f _{max} × 8
10	10	40	V _m / 40	9°	f _{max} × 10
12	12	48	V _m / 48	7.5°	f _{max} × 12
16	16	64	V _m / 64	5.625°	f _{max} × 16

Column 1: programmable interpolation factor IPF (programming is done in the factory)

Column 2: Pulses per volume measurement V_m

Column 3: maximum resolution of the signal flanks. The signal flanks channels 1 and 2 are evaluated.

Column 4: Volume measurement V_m^{*} resulting from the maximum resolution of the signal flanks.

Column 5: maximum resolution in angle degrees at resolution of signal flanks.

Column 6: maximum frequency f_{max}^{*} at maximum flow Q_{max} and programmed interpolation factor IPF

In practice, the maximum flow Q_{max} of the flow meter is seldom run, so that a lower frequency can be calculated. The maximum frequency is then calculated according to the following formula:

$$f_{\max}^* = \frac{(Q_{\max}^{\circ}) \cdot \text{IPF}}{V_m} \quad \text{Formel 1}$$

f_{max}^{*} Maximum frequency of the flow meter signals

Q_{max}[°] Maximum flow attained in the case of application described here

IPF Programmed interpolation factor

V_m Volume measurement of the flow meter

Example: Flow meter **VSI 1/10**... max. flow rate of the system at maximum capacity

Q_{max}[°] = 40 l/min = 666.667 ml/sec; IPF = 10;

V_m = 1 ml/pulse; f_{max}[°] = 6666.67 Hz = 6.66667 kHz

At max. flow_{max}^{*} = 40 l/min, the flow meter **VSI 1/10**... outputs a frequency of

f_{max}^{*} = 6666.67 Hz.

▶ TYPE KEY

TYPE KEY FLOW METERS VSI

EXAMPLE

VSI 1	/	4		G	P	O	1	2	V	-	3	2	W	1	5	/	X	.	.
Size	Interpolation																		
	Material																		
	Type of connection																		
	Measuring wheel coating																		
	gear bearing																		
	gear tolerance																		
	Seal type																		
	Sensor pick-up system																		
	Quantity of pick-up sensors																		
	Signal output																		
Preamplifier																			
Connection																			
Product line																			
Power supply voltage																			
Modification id. no.																			
VSE- norm connection (4-pole)																			
5 pole plug connection																			
integrated (standard design)																			
VV int. WE (power supply volt. 10 ...30V DC)																			
2 Sensors																			
GMR- Sensor																			
FPM (Viton) standard																			
NBR (Perbunan)																			
PTFE																			
EPDM																			
1 diminished range																			
2 normal range (standard)																			
3 enlarged range																			
4 Range steel plain bearings																			
1 Ball bearings																			
2 Spindle-bearings																			
3 Bronze bearings																			
4 Carbon bearings																			
5 Steel bearings																			
O No coating (standard)																			
C Dynamat- coating (C- coating)																			
T Titanium coating																			
P Plate construction																			
R Pipe-line connections																			
G EN-GJS-400-15 (VSI10 = EN-GJS-600-3) EN 1563																			
E Stainless steel 1.4305 (V2A)																			
H EN-GJS-600-3 EN1563 (high pressure)																			
1 1 Imp. pro Vz Vm = Vz pro Imp																			
2 2 Imp. pro Vz Vm = Vz / 2 pro Imp.																			
3 3 Imp. pro Vz Vm = Vz / 3 pro Imp.																			
4 4 Imp. pro Vz Vm = Vz / 4 pro Imp.																			
5 5 Imp. pro Vz Vm = Vz / 5 pro Imp.																			
8 8 Imp. pro Vz Vm = Vz / 8 pro Imp.																			
10 10 Imp. pro Vz Vm = Vz / 10 pro Imp.																			
12 12 Imp. pro Vz Vm = Vz / 12 pro Imp.																			
16 16 Imp. pro Vz Vm = Vz / 16 pro Imp.																			
1 3 Imp. pro Vz Vm = 10/ 3 pro Imp																			
2 6 Imp. pro Vz Vm = 10/ 6 pro Imp.																			
3 9 Imp. pro Vz Vm = 10/ 9 pro Imp.																			
4 12 Imp. pro Vz Vm = 10/ 12 pro Imp.																			
5 15 Imp. pro Vz Vm = 10/ 15 pro Imp.																			
8 24 Imp. pro Vz Vm = 10/ 24 pro Imp.																			
10 30 Imp. pro Vz Vm = 10/ 30 pro Imp.																			
12 36 Imp. pro Vz Vm = 10/ 36 pro Imp.																			
16 48 Imp. pro Vz Vm = 10/ 48 pro Imp.																			
VSI 0.02	Vz = 0.02ml																		
VSI 0.04	Vz = 0.04ml																		
VSI 0.1	Vz = 0.1 ml																		
VSI 0.2	Vz = 0.2 ml																		
VSI 0.4	Vz = 0.4 ml																		
VSI 1	Vz = 1 ml																		
VSI 2	Vz = 2 ml																		
VSI 4	Vz = 4 ml																		
VSI 10	Vz = 10 ml																		
																	Vm = Volume (cm ³)		
																	Vz = the volume between the gear teeth		

► **ELECTRONIC DISPLAYS WITH ANALOGUE OUTPUT**

FLOW RATE MEASURING INSTRUMENT MF1 FOR 2-CHANNEL FLOW SENSOR



- Flow direction indication with switching output (0 V / 5 V)
- 2 optocoupler limit value outputs, limit value are individually programmable
- Analogue output with flow rate direction dependent voltage-/current-polarity is available
0 ... (±) 10 V
0 ... (±) 20 mA
4 ... 20 mA
- A power supply for flow sensor is integrated 24 V DC/50 mA

FLOW RATE MEASURING INSTRUMENT DPZ-F FOR 2- OR 1-CHANNEL FLOW SENSOR



- Flow meter type selectable by menu
- Flow meter direction indicator
- 16 Bit-analogue output
0 ... ± 10 V
0 ... ± 20 mA
0/4 ...20 mA
- 2 limit value outputs
- Semiconductor
- PC-Interface RS 232 or RS 485
- A power supply for flow sensor is integrated 24 Volt DC/100mA

FLOW RATE AND VOLUME MEASURING INSTRUMENT PAXI FOR 1- OR 2- CHANNEL FLOW SENSOR



- Flow rate- or volumedisplay programmable, with linearizer function
- 12 Bit-analogue output
0 ... 10 V
0 ... 20 mA
4 ... 20 mA
- 2 limit value-relay outputs
- PC-Interface RS 232
- A power supply for flow sensor is integrated 12 Volt/100mA

DPZ-IMP



FLOW MEASUREMENT DPZ-IMP FOR 1- OR 2-CHANNEL FLOW SENSOR

- Flow meter type selectable by menu
- 16 bit-analogue output
0 ... ± 10 V
0 ... ± 20 mA
0/4 ...20 mA
- 2 limit value outputs
- Semiconductor
- PC-Interface RS 232 oder RS 485
- A power supply for flow sensor is integrated 24 Volt DC / 100mA

VFM 320



UNIVERSAL MEASURING INSTRUMENT VFM 320 FOR DYNAMIC PROCESS MEASUREMENTS AND CLOSED LOOP CONTROLS

- Flow rate, volume and ratio measurements as well as measurement and control of volume-shots or mass-shots in 2-component mixing systems
- Signal processing of 2 flow sensors with 2-channel signal outputs
- 2 independent dynamic analogue outputs with 16 Bit digital-analogue converter D/A-converter: <3ms (0 Hz → 2 kHz → 0 Hz)

The flow rate and volume values are direction dependent

(0 V ← Flow in direction 2 5 V → Flow in direction 1 10 V)

or direction independent

(10 V ← Flow in direction 2 0 V → Flow in direction 1 10 V)

- Real time output of analogue and digital measurement values
- PC-Interface 1 x RS 232, 2 x RS 485
- Special designs on request

▶ ELECTRONIC DISPLAYS WITHOUT ANALOGUE OUTPUT

GEL 103



VOLUMEN-PRESETCOUNTER AND BATCH-COUNTER GEL 103 FOR 2-OR 1-CHANNEL FLOW SENSOR

- Display values for actual volume value and 2 volume preset values will be displayed simultaneously
- 2 limited value relay and transistor outputs, 1 transistor output for batch preset control
- Phase discriminator for 2-channel flow rate sensor with single, double or quadruple volume impulse edge evaluation programmable
- A power supply for flow sensor is integrated 24 V DC \pm 10%, max. 60 mA

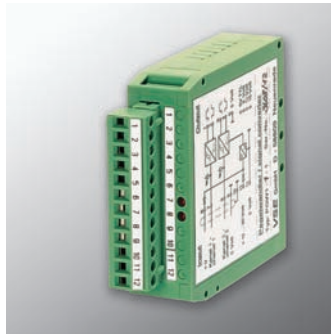
INSTRUMENTS FOR IMPULSE CONDITIONING

FREQUENCY-/ANALOGUE CONVERTER DIGFU 1



- Converter output signal for operation with 1-channel flow sensor
0 ... 10 V
0 ... 20 mA
4 ... 20 mA
- Converter output signal with flow direction polarity for operation with 2-channel flow sensor
0 ... \pm 10 V
0 ... \pm 20 mA
- Evaluation of flow direction via digital output signal possible if a 2-channel flow sensor is connected
- Proportional to flow frequency a digital output frequency signal with multiplier factor is adjustable

SIGNAL CONVERTER PGW-1 FOR 2- OR 1- CHANNEL FLOW SENSORS TO CONVERT FLOW SENSOR OUTPUT SIGNALS INTO OTHER VOLTAGES LEVELS



- For example: chart recorder with impulse input, Forward-/Reversecounter, computer, PC- and PLC controls
- Available output voltages: TTL 5 V, 8 V, 12 V, CMOS 15 V
- Power supply/current consumption: 10 ... 30 V DC, 20 mA without flow sensor
- Inverted and non inverted output signal for both channels integrated among other things for connection on differential count inputs to achieve a distortion free signal transmission over long cable distances

BARRIER AMPLIFIER MK-13



- Economical interfaces without galvanic isolation between intrinsically safe and nonintrinsically safe circuits
- They must be installed in the safe area
- They are used to limit the electrical power into an intrinsically safe circuit in such a way that neither sparks nor thermal effects (hot surfaces) can cause an ignition
- Connection diagram and exact order nos. see page 11.

► ACCESSORIES / CUSTOMER SPECIFIC SOLUTIONS

CUSTOMER SPECIFIC SOLUTIONS

CUSTOMER SPECIFIC



- Customer specific solutions can be realized for prices in line with market requirements in the shortest time. We develop your solutions in all current materials such as steel, stainless steel, titanium and aluminium as well as bronze materials.

PROCESS CONTROL



- Dyes, paints, (hot-) adhesives or epoxy or PUR-materials also with fillers can be reliably measured. Pressures up to 700 bar and temperatures up to 210° C are included in our standard product range.

AUTOMOBILE INDUSTRY



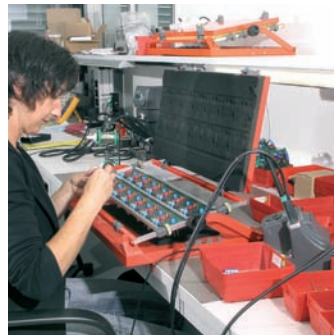
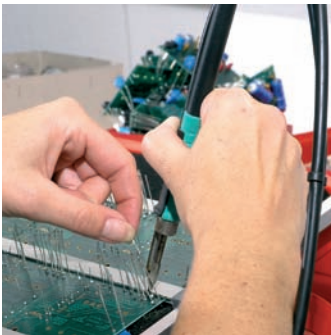
- Whether for installation in vehicles or in climatic exposure test cabinets; we have a solution for almost every measuring application. High reliability, low space requirements and highest measurement accuracy, also difficult media or aggressive atmospheres distinguish our products.

ACCESSORIES



- Connection blocks also heatable, sandwich plates with integrated ball valves and heating jackets for all current flow meters. Additional measuring connections for pressure and temperature **MCS** Micro Control System can be supplied from stock.

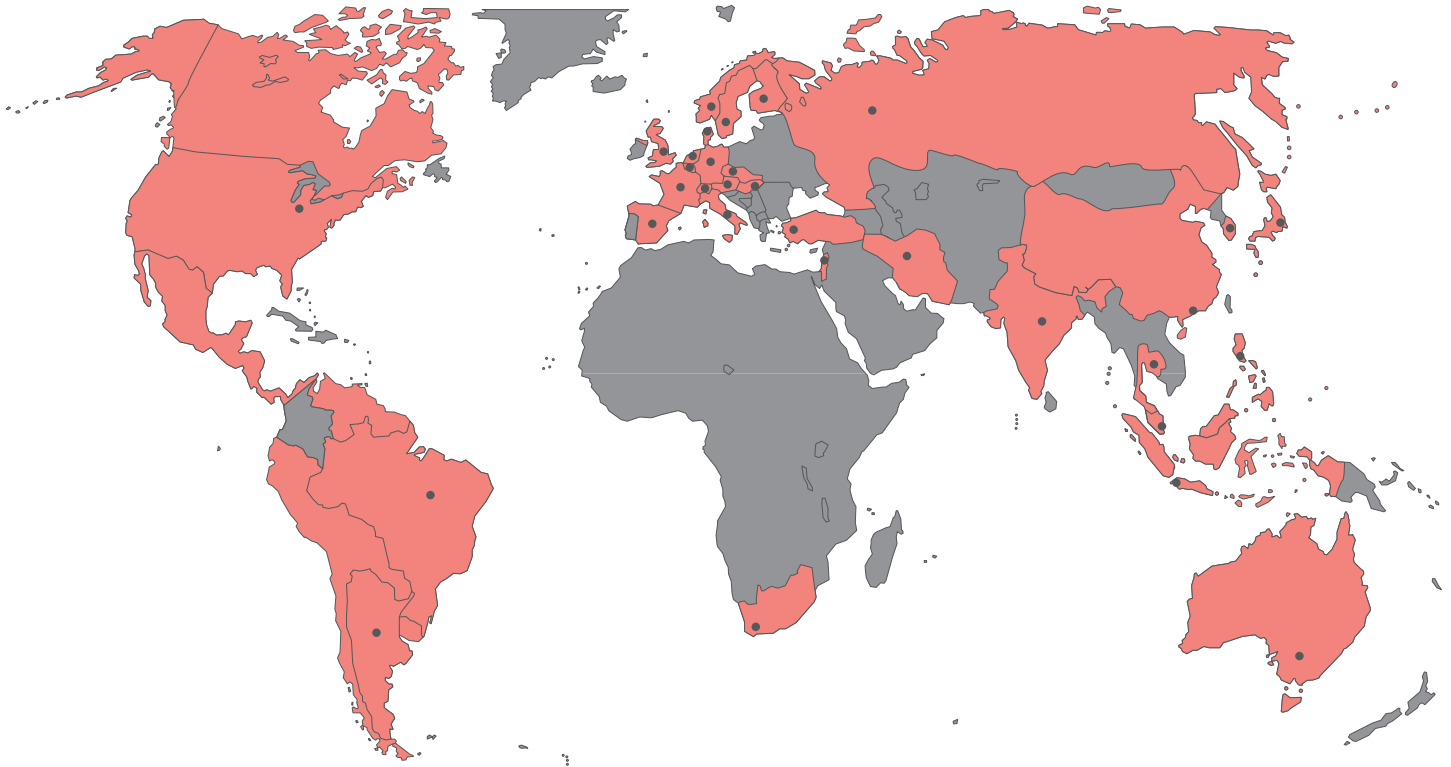
REPAIR / CALIBRATION SERVICE



- Inhouse calibrations from 0.002 l/min ... 600 l/min, traceable to a DKD normal. We are pleased to provide you with loan units for the time of repair/calibration. Repair and calibration also of external brands as well as electronics displays.



WORLDWIDE SERVICE / PRODUCTS



WORLDWIDE SERVICE QUALIFIED ADVICE THROUGH LONGSTANDING COOPERATION PARTNERS

- personal
- competent
- efficient

PRODUCTS

- Precision gear type flow meters for general industrial applications
- Stainless steel gear type flow meters for special applications
- Turbine flow meters
- Standardized and individual electronic readouts
- Electronic devices for special solutions in measurement, control and regulation technology
- Repair / calibration service

distributed by

VSE Volumentechnik GmbH
Hönnestraße 49
58809 Neuenrade / Germany

Phone +49 (0) 23 94 / 6 16-30
Fax +49 (0) 23 94 / 6 16-33

VSE Volumentechnik GmbH
Postfach/P.O.Box 1229
58804 Neuenrade / Germany

info@vse-flow.com
www.vse-flow.com

VSE^{.flow}
measurement

 **e.holding**
FLUID TECHNOLOGY GROUP www.e-holding.de