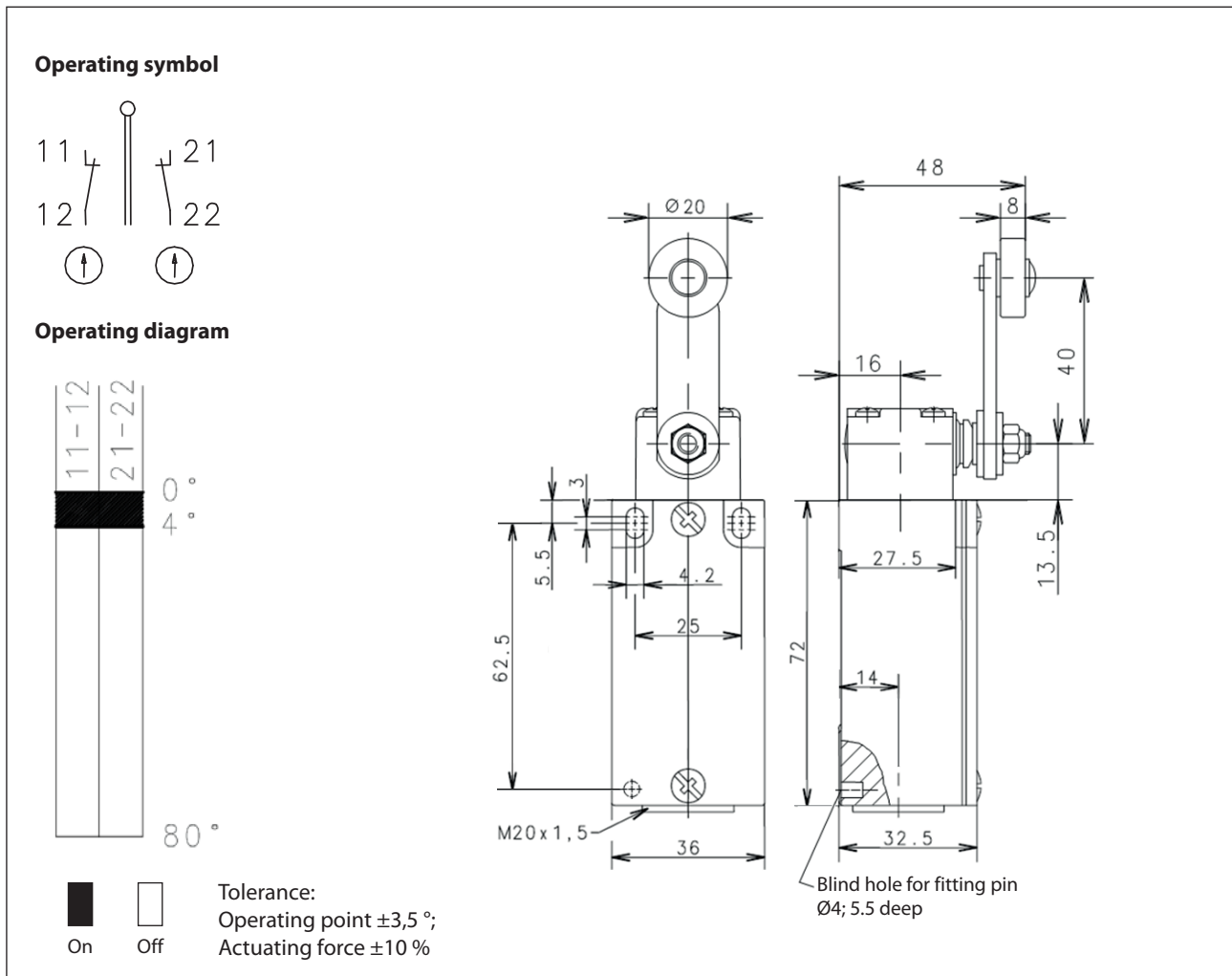


Metal bodied limit switch Series GC

Description **GC-A2Z AHS**

Article number **6121835833**



Electrical Data		
Rated insulation voltage	U_i	400 V AC
Conv. thermal current	I_{the}	6 A
Rated operational voltage	U_e	240 V
Utilization category		AC-15, U_e/I_e 240 V / 1,5 A
Positive opening operation	\ominus	acc. to IEC/EN 60947-5-1, Annex K
Short-circuit protective device		Fuse 6 A gG
Protection class		I

Mechanical data	
Enclosure	Die-cast aluminium
Cover	Sheet aluminium
Actuator	Turret head (zinc die cast), roller (thermoplastic)
Ambient air temperature	-30 °C ... +80 °C
Contact type	2 NC (Form B)
Mechanical life	3 x 10 ⁶ operating cycles
Switching frequency	≤ 100 / min.
Assembly	2 x M4
Connection	4 screw connections (M3)
Conductor cross-sections	Solid: 0,5 ... 1,5 mm ² or Litz wire with ferrules: 0,5 ... 1,5 mm ²
Cable entrance	1 x M20 x 1,5
Weight	≈ 0,2 kg
Installation position	operator definable
Protection type	IP65 acc. to IEC/EN 60529

Actuation
<p>The actuating device is preferably started from 2 sides. By loosening the 4 screws the actuation assembly can be rotated in 90 degree increments such that 4 actuation directions are possible. The actuation assembly is to be again fastened to the housing using the 4 screws.</p>

Standards
VDE 0660 T100, DIN EN 60947-1, IEC 60947-1
VDE 0660 T200, DIN EN 60947-5-1, IEC 60947-5-1

EU Conformity
acc. to directive 2014/35/EU (Low-Voltage-Directive)

Approvals
CCC

Notes
<p>The switch must not be used as a stop. The degree of protection (IP code) specified applies solely to a property closed cover and the use of an equivalent cable gland with adequate cable.</p>