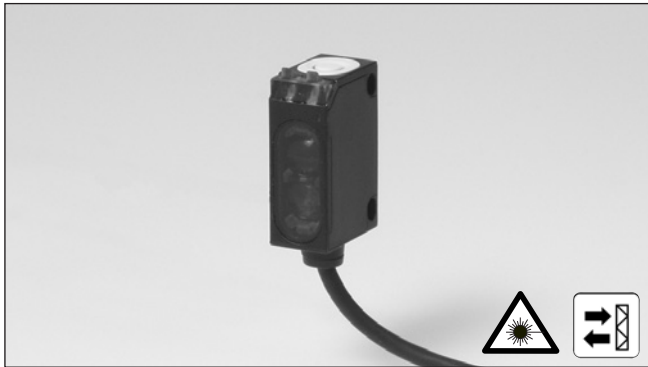


# Photoelectrics Laser, Retro-reflective, Polarized Type LD32CNP10

CARLO GAVAZZI



- Miniature sensor range
- Range: 0.1-1 m, with reflector
- Sensitivity adjustment by Teach-In programming
- Modulated, red laser light 650 nm, polarized (class 2)
- Supply voltage: 10 to 30 VDC
- Output: 100 mA, NPN or PNP preset
- Make and break switching function programmable
- LED for output indication and power ON
- Protection: reverse polarity, short circuit and transients
- Cable and plug versions
- Excellent EMC performance



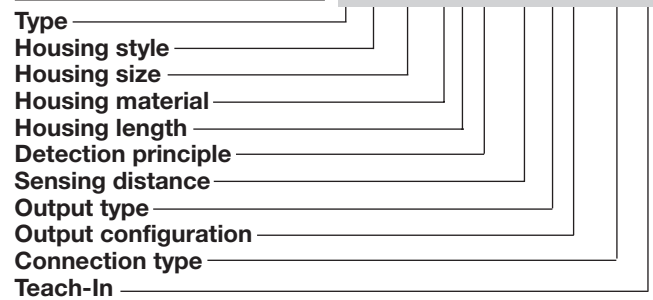
## Product Description

The LD32CNP10 sensor family comes in a compact 12 x 32 x 20 mm reinforced PMMA/ABS-housing. The sensors are useful in applications where high-accuracy detection as well as small size is required. The Teach-In function for

adjustment of the sensitivity makes the sensors highly flexible. The output type is preset (NPN or PNP), and the output switching function is programmable (NO or NC). The small laser spot makes it possible to detect small objects very precisely.

## Ordering Key

**LD32CNP10PPM5T**



## Type Selection

Housing W x H x D	Range S <sub>n</sub>	Ordering no. NPN & PNP cable Make & break switching	Ordering no. NPN & PNP plug Make & break switching
12 x 32 x 20 mm	1.0 m	LD 32 CNP 10 NPT LD 32 CNP 10 PPT	LD 32 CNP 10 NPM5T LD 32 CNP 10 PPM5T

## Specifications

<b>Rated operating distance (S<sub>n</sub>)</b>	Up to 1.0 m, with reflector 51 x 51 mm (ER5060)	<b>Protection</b>	Short-circuit, reverse polarity and transients
<b>Blind zone</b>	100 mm	<b>Laser protection class</b>	Class 2 - according to EN60825-1-3/97
<b>Sensitivity</b>	Adjustable by Teach-In (push button or wire)	<b>Average power</b>	< 1 mW
<b>Temperature drift</b>	≤ 1%/°C	<b>Pulse width</b>	t = 3 μs
<b>Hysteresis (H) (differential travel)</b>	≤ 10%	<b>Pulse repetition time</b>	f = 5 kHz
<b>Rated operational volt. (U<sub>B</sub>)</b>	10 to 30 VDC (ripple included)	<b>MTBF</b>	> 50'000 h @ T <sub>a</sub> = 40°C
<b>Ripple (U<sub>rpp</sub>)</b>	≤ 10%	<b>Light source</b>	Red laser light, 650 nm
<b>Output current</b> Continuous (I <sub>a</sub> ) Short-time (I)	≤ 100 mA ≤ 100 mA (max. load capacity 100 nF)	<b>Light type</b>	Red, modulated
<b>No load supply current (I<sub>o</sub>)</b>	≤ 25 mA @ 24 VDC	<b>Sensing angle</b>	< 0.8°
<b>Minimum operational current (I<sub>m</sub>)</b>	0.5 mA	<b>Ambient light</b>	5,000 lux
<b>OFF-state current (I<sub>r</sub>)</b>	≤ 100 μA	<b>Light spot</b>	< 1 mm @ 300 mm
<b>Voltage drop (U<sub>d</sub>)</b>	≤ 2.4 VDC @ 100 mA	<b>Operating frequency</b>	1000 Hz
		<b>Response time</b> OFF-ON (t <sub>ON</sub> ) ON-OFF (t <sub>OFF</sub> )	≤ 0.5 ms ≤ 0.5 ms
		<b>Power ON delay (t<sub>v</sub>)</b>	≤ 300 ms
		<b>Output function</b> NPN and PNP NO/NC switching function	Preset Set up by button

## Specifications (cont.)

<b>External Teach (ET)</b> Same function as button Locked (disable teach button) Operating mode	10 to 30 VDC 0 to 2.5 VDC Not connected	<b>Vibration</b>  <b>Shock</b>	10 to 55 Hz, 0.5 mm/7.5 g (IEC 60068-2-6) 30 g / 11ms, 3 pos, 3 neg per axis (IEC 60068-2-6, 60068-2-32)
<b>Indication</b> Output ON Signal stability ON and power ON	LED, yellow LED, green	<b>Rated insulation voltage</b>  <b>Housing material</b> Body Front material	500 VAC (rms)  ABS, black PMMA, red
<b>Environment</b> Installation category  Pollution degree  Degree of protection	II (IEC 60664/60664A; 60947-1)  3 (IEC 60664/60664A; 60947-1)  IP 67 (IEC 60529; 60947-1)	<b>Connection</b> Cable  Plug	PUR, black, 2 m 4 x 0.14 mm <sup>2</sup> , Ø = 3.6 mm M8, 4-pin
<b>Ambient temperature</b> Operating Storage	-20 to +60° C (-4 to +140° F) -20 to +80° C (-4 to +176° F)	<b>Weight</b>  <b>CE-marking</b>	Cable type: 40 g Plug type: 10 g  Yes

## Operation Diagram

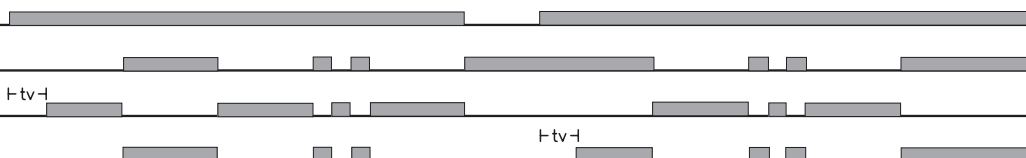
tv = Power ON delay

Power supply

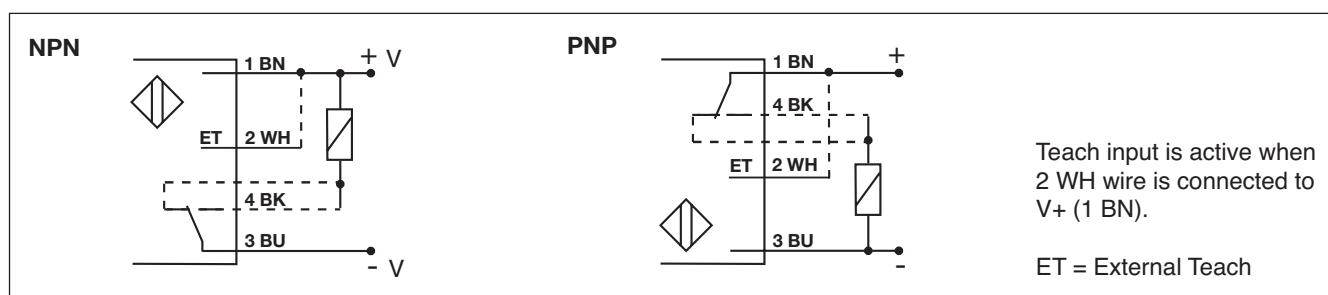
Object/target present

Break (NC) Output ON

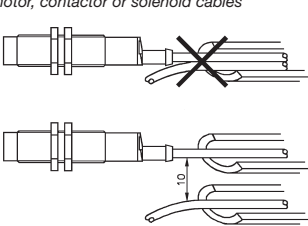
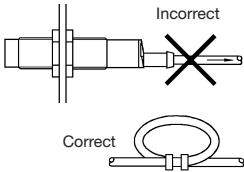
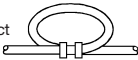
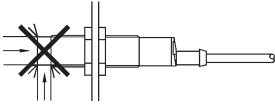
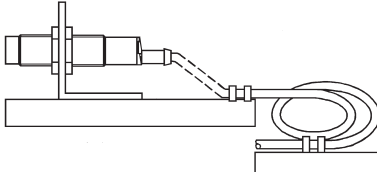
Make (NO) Output ON



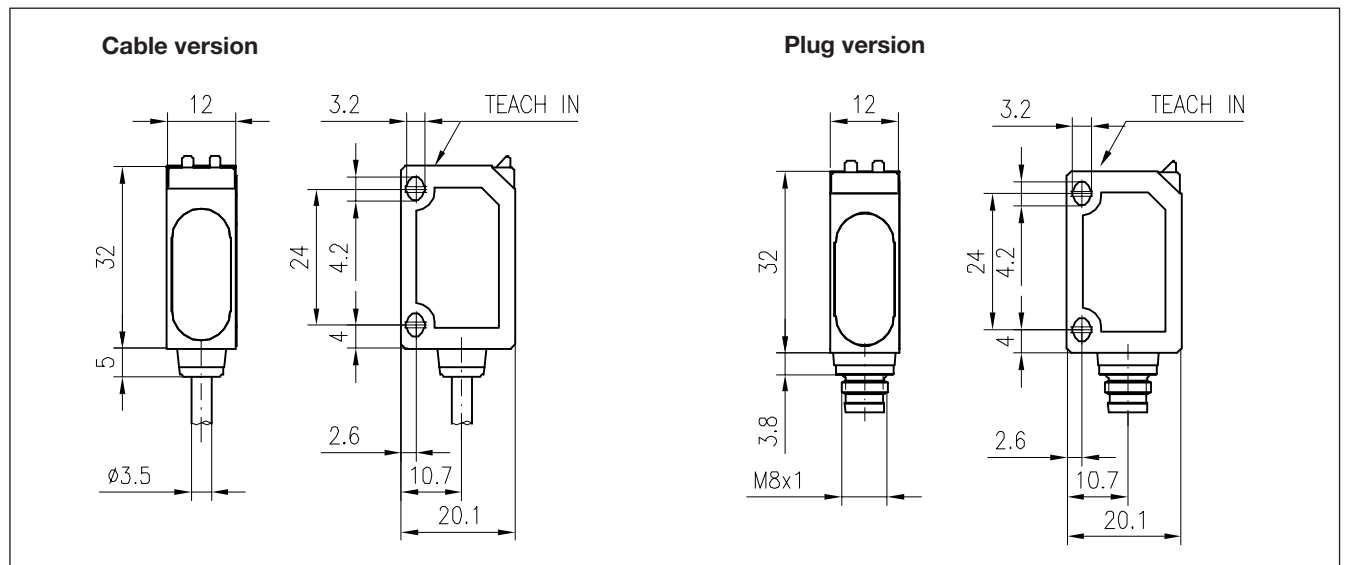
## Wiring Diagrams



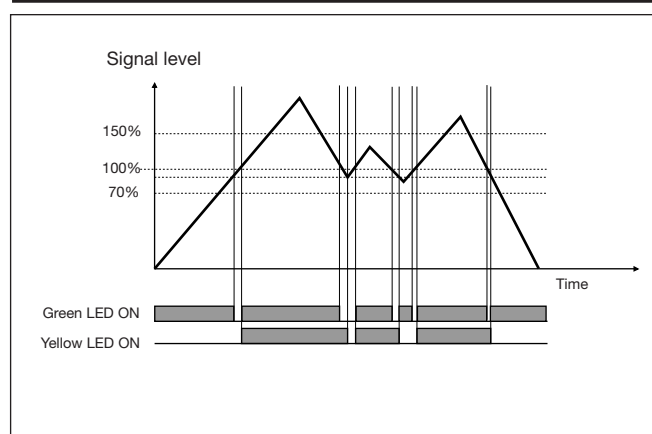
## Installation Hints

<p>To avoid interference from inductive voltage/current peaks, separate the prox. switch power cables from any other power cables, e.g. motor, contactor or solenoid cables</p> 	<p>Relief of cable strain</p> <p>Incorrect</p>  <p>Correct</p>  <p>The cable should not be pulled</p>	<p>Protection of the sensing face</p>  <p>A proximity switch should not serve as mechanical stop</p>	<p>Switch mounted on mobile carrier</p>  <p>Any repetitive flexing of the cable should be avoided</p>
---	---	---	--

## Dimensions

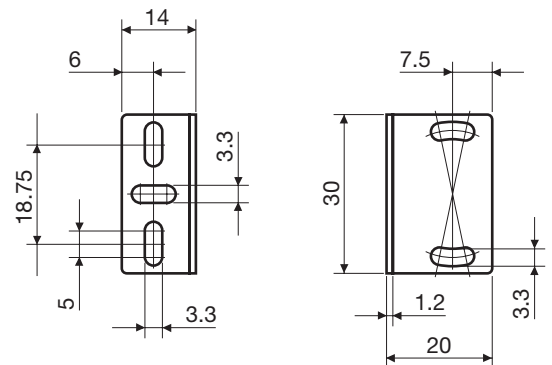


## Signal Stability Indication



## Accessories

### Mounting bracket APD32-MB3



For further information refer to "Accessories"

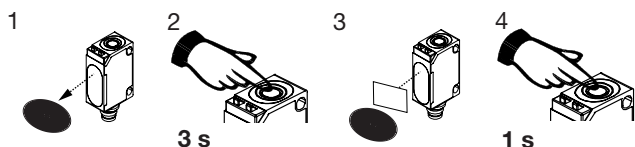
## Delivery Contents

- Photoelectric switch: LD 32 CNP 10
- Installation instruction
- **Packaging:** Cardboard box

## Adjustment

### Sensitivity adjustment, with static object (needed for transparent objects only)

1. Line up the sensor with the reflector. Yellow LED and green LED are ON.
2. Press the button for 3 s until both LED's flash simultaneously (the first switching point is stored).
3. Place the object in the detection area.
4. Press the button for 1 s.
  - a) The green LED flashes and stays ON: the second switching point is stored, and the sensor is ready to operate.
  - b) Both LED's flash simultaneously: the sensor cannot detect the object, no switching points are stored.





### Adjustment to maximum sensitivity

1. Line up the sensor with the reflector. Press the button for 3 s until both LED's flash simultaneously.
2. Press the button again for 1 s (without object). The sensor is set to maximum sensitivity.

### Sensitivity adjustment, with a running process (needed for transparent objects only)


1. Line up the sensor with the reflector. Green LED is ON. At this stage the status of the yellow LED can be ignored.
2. The running process must be the only "object" within the detection area. Press the button for 3 s until both LED's flash simultaneously.
 

 3 s
3. Press the button for at least the duration of one process cycle.
 



 1 cycle

  - a) The green LED flashes and stays ON: both switching points have been stored, and the sensor is ready to operate.
  - b) Both LED's flash simultaneously: the sensor cannot detect the object, no switching points are stored.

### Programming of make and break switching function

1. Press the button for 13 s.  13 s  
Both LED's flash alternately.
2. Release the button: the green LED flashes.
3. While the green LED flashes, the output is inverted each time the button is pressed. This is indicated by the yellow LED.  
When the button is not pressed for 10 s, the current output function is stored.  
The sensor is now ready for operation.

### Default setting

1. Cover light emitter and receiver: Press the button for 3 s, until both LED's flash simultaneously.  3 s
2. Keep light emitter and receiver covered: Press the button for 1 s.  1 s  
The sensor is set to maximum sensitivity.

**NB!** The Teach Input (2 WH) will work similarly to the push button, active High.