

1) Product:

ball screw actuator
prod. code: CUSTOM/5267 Rev.1
CUSTOM HSA 50 BS 40×10 R4 C165 BA FL AR
MF (IEC 100-112 B5)
HORIZONTAL mounting position

2) Transport and handling:

The product shall be transported and handled in order with care, in order to avoid damages on the product itself and to prevent any risk for the personnel in charge such operations.

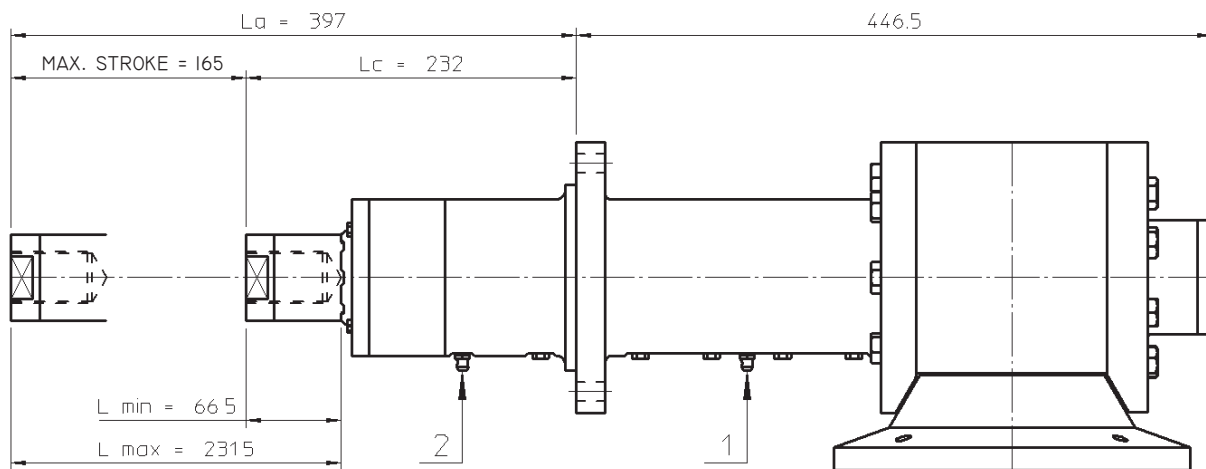
3) Storage:

During storage, the product shall be protected against atmospheric agents in order to prevent dust and/or other contaminants to settle on moving parts.

In case of storage periods longer than 6 months, it is necessary to move input shaft to avoid damaging of lubricant seals.

All not painted surfaces shall be kept properly greased to prevent oxidation.

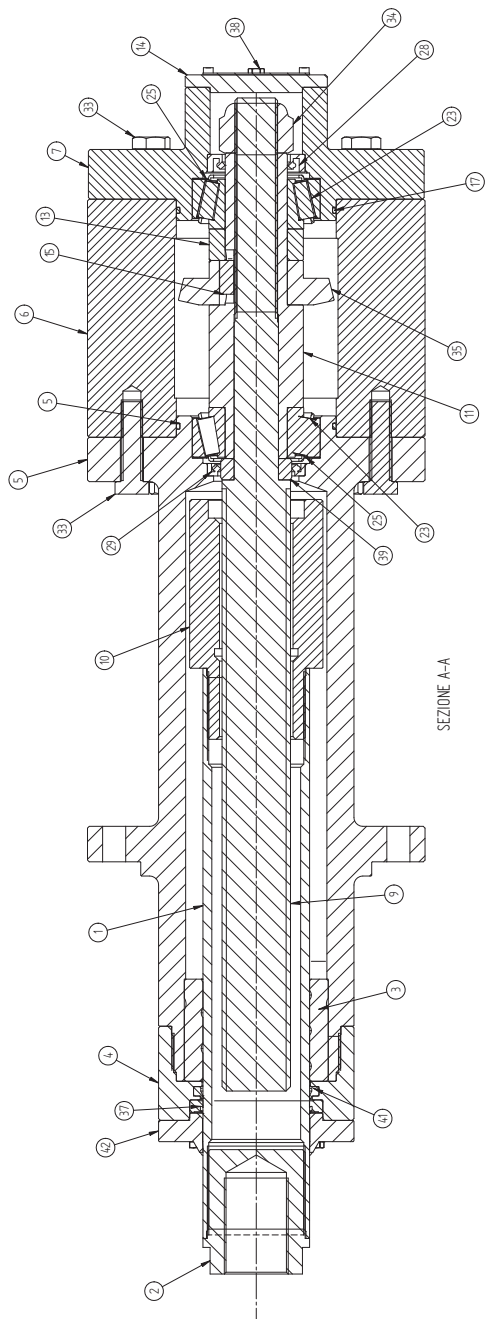
4) Installation:



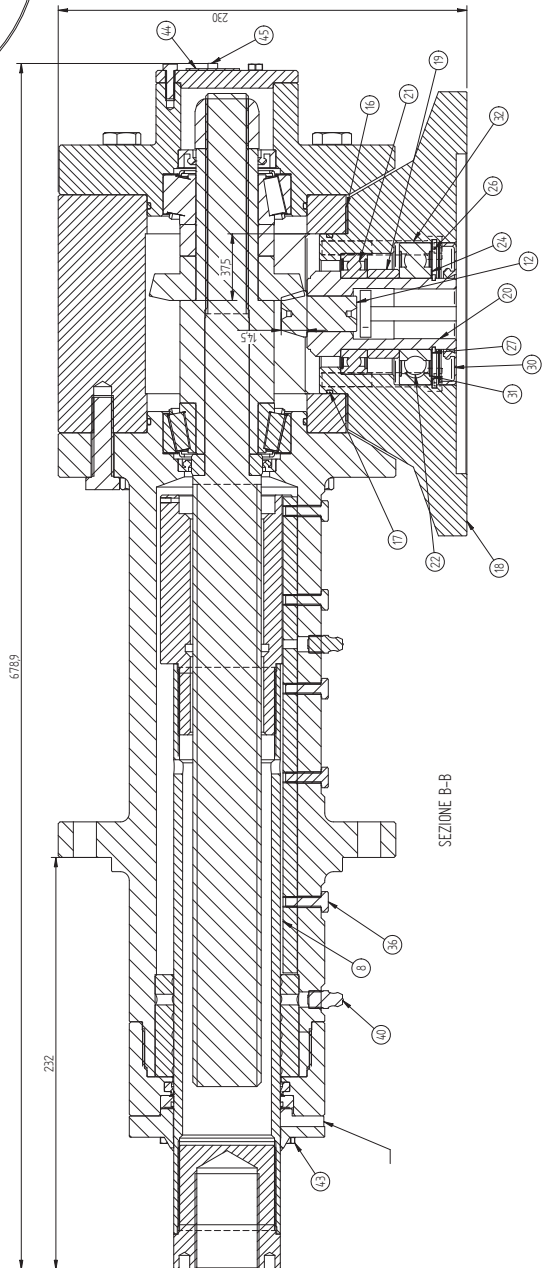
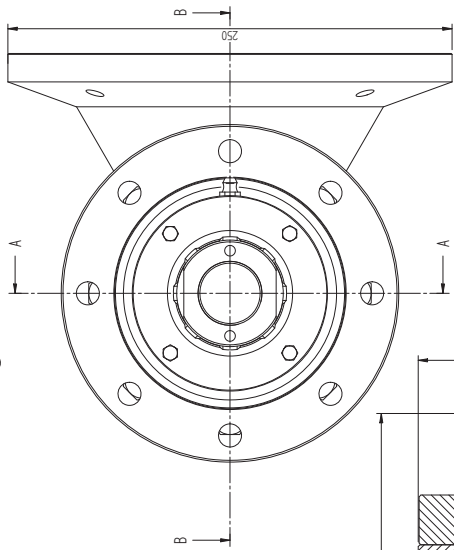
- Values **L_c** (**RETRACTED ACTUATOR** length), **L_a** (**EXTENDED ACTUATOR** length) and **MAX. STROKE** are the extreme limit values. Working out of the indicated length range ($L_c \dots L_a$), the actuator could reach internal mechanical stops and be damaged!
- **Alignment:** the load must be in line with the actuator; no off-set or radial load is allowed!

5) Lubrication and maintenance:

- **bevel gear:** grease MOBIL Mobilgrease 28 lubricated in SERVOMECH (q.ty: 0.18 kg) and ready-to-use long-life lubricated
- **ball screw:** grease MOBIL Mobilgrease 28 lubricated in SERVOMECH (q.ty: 0.08 kg) and ready-to-use to be re-lubricated every 500 hour of effective work, with 0.1 kg of grease, through the **grease nipple 1**
- **push rod guides:** grease MOBIL Mobilgrease 28 lubricated (greased with brush) in SERVOMECH and ready-to-use to be re-lubricated together with ball screw, through the **grease nipple 2**
- periodically, check for lubricant leakage; if the lubricant leakage is verified, fix the leakage reason, restoring the required lubricant quantity in the actuator.



SEZIONE A-A



SEZIONE B-B

ATTENZIONE ALLA POSIZIONE ANGOLARE
 DELLE CAVITÀ PER
 RASSEMBLARE I RORPI GHIAIO

Item	Part name	Qty.
1	push rod	1
2	threaded end BA	1
3	guide bush	1
4	wiper seals holder	1
5	flanged outer tube	1
6	housing	1
7	rear bevel gearbox cover	1
8	anti-turn krey	1
9	ball screw - threaded shaft	1
10	ball screw - nut	1
11	output hollow shaft	1
12	bevel gear pinion	1
13	spacer	1
14	cover	1
15	bevel gearbox output shaft key	1
16	laminated peelable shim	1
17	o-ring	3
18	motor mounting flange	1
19	spacer	1
20	input hollow shaft	1
21	deep groove ball bearing	1
22	deep groove ball bearing	1
23	tapered roller bearing	2
24	shim washer	1
25	shim washer	2
26	retaining ring for bores	1
27	retaining ring for shafts	1
28	radial oil seal	1
29	radial oil seal	1
30	radial oil seal	1
31	shim washer	1
32	hexagon socket head cap screw	4
33	hexagon head bolt	15
34	prevailing torque type hexagon regular nut	1
35	bevel gear wheel	1
36	hexagon head bolt	5
37	metallic lip wiper seal	1
38	hexagon head bolt	3
39	spacer	1
40	grease nipple	2
41	wiper seal	1
42	icebreaker	1
43	hexagon head bolt	4
44	product label	1
45	hexagon socket head cap screw	2