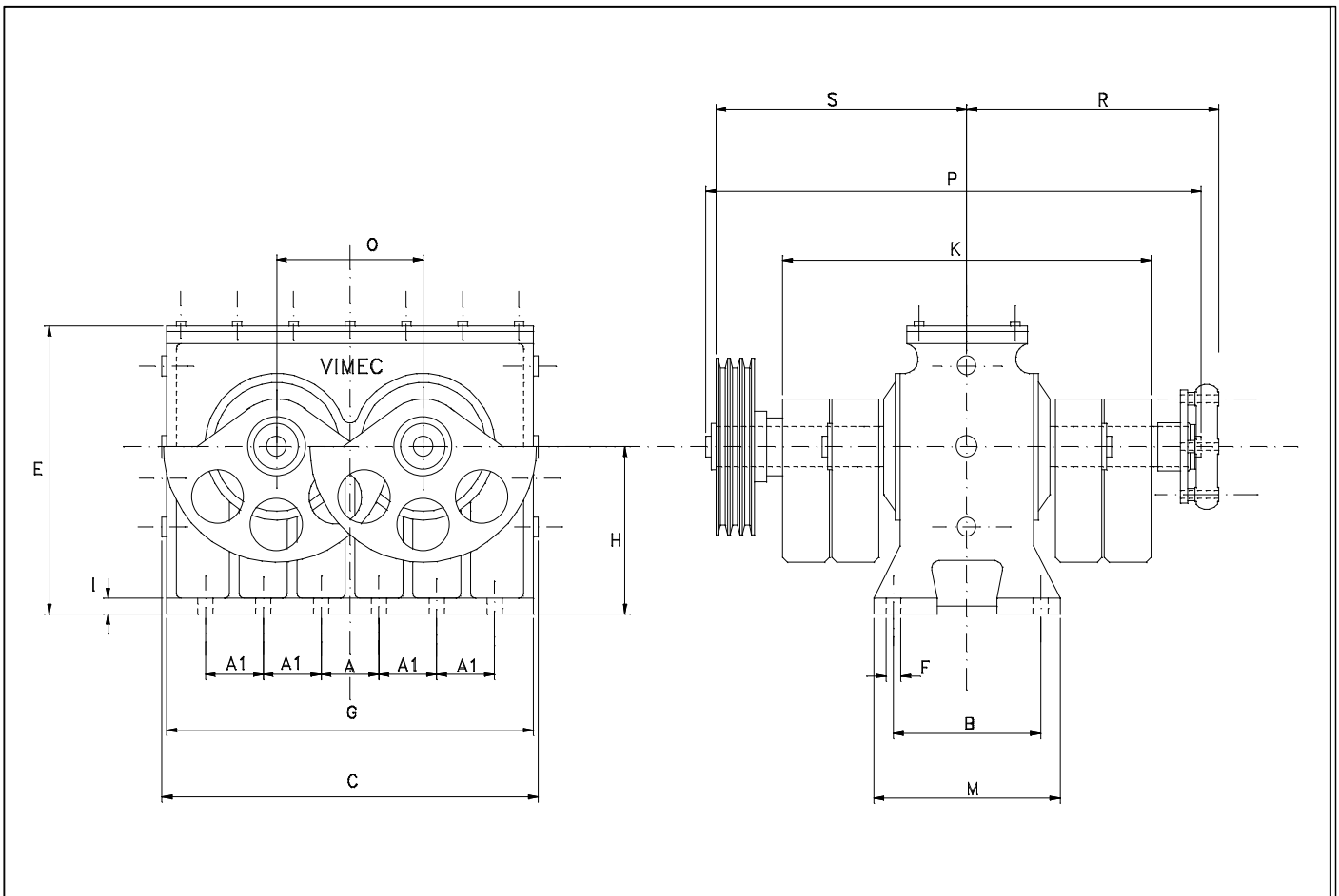


# MECHANICAL LINEAR MOTION VIBRATORS Type MU



TECHNICAL DATA	M.U.	MU 10	MU 40	MU 90	MU 150	MU 260	MU 400	MU 600
Normal speed	R.p.m.	1.000	1.000	1.000	1.000	750	750	750
Maximum speed	R.p.m.	1.800	1.450	1.200	1.100	1.000	850	800
Maximum static moment	Kgmm.	1.235	4.625	11.130	18.000	32.000	65.000	86.000
Maximum Excentric Force	Kg.	3.000	7.000	12.000	20.000	29.000	41.000	54.000
Maximum Excentric Force	KN.	29	68	118	196	284	402	530
Motor rating	Kw.	1,5	4	7,5	11	18,5	22	45
Maximum weight	Kg.	100	270	400	570	840	1.400	1.900
Pd <sup>2</sup> max	Kgm <sup>2</sup>	2	3,6	10	19	36	65	135
<b>A</b>	mm.	1 x 310	1 x 455	1 x 280	1 x 280	1 x 120	1 x 200 *	1 x 150
<b>A1</b>	mm.	-----	-----	2 x 120	2 x 130	4 x 120	4 x 130 *	4 x 150
<b>B</b>	mm.	122	156	200	252	300	360 *	550
<b>C</b>	mm.	475	696	802	910	980	1.060	1.220
<b>E</b>	mm.	270	367	490	556	605	700	828
<b>F</b>	mm.	20,5	31	28	31	31	31	34
<b>G</b>	mm.	400	549	640	700	780	920	940
<b>H</b>	mm.	132	187	267	310	350	380	470
<b>L</b>	mm.	16	32	30	35	40	34	45
<b>K</b>	mm.	334	432	554	646	774	953	1.146
<b>M</b>	mm.	172	230	260	332	380	470	630
<b>O</b>	mm.	140	201	240	260	306	360	380
<b>P</b>	mm.	461	620	742	851	1.066	1.275	1.533
<b>R</b>	mm.	-----	356	417	474	594	694	861
<b>S</b>	mm.	231	300	376	402	506	611,5	741
<b>Bearing type</b>		22308-C4	22313-C4	22315-C4	22319-C4	22322-C4	22326-C4	22330-C4

\* On demand, the oscillator type MU 400 can be supplied with: A = 4 x 120 - A1 = 2 x 150 - B = 380 / 390.