

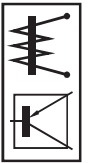
## EQC96n



### Moving iron instrument with electronic limit control

#### Backside adjustment

- With moving iron movement
- For AC current and AC voltage
- Class 1,5

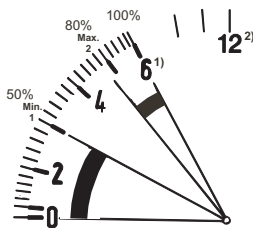


#### Description

The technical features of the movements are same as the features of the moving iron instruments. Only this has an additionally electronic limit control. (Type EQ see page 4/5)

- Electronic:
- Auxiliary supply: 230 V ~ ± 10 % (50-60 Hz) other voltages on request
- Output relays: 2 changeover relays, potential free
- Hysteresis: 2 % of the full scale
- Repeatability: 1 % of the full scale
- Adjustment with potentiometer: from 0 to 100 % of the nominal range of scale<sup>1)</sup> Tolerance ± 5 %
- Time delay: 0 to 20 sec. ± 3 sec.

<sup>1)</sup> Nominal current input range  
<sup>2)</sup> Nominal 100 % for voltage inputs or ammeter without overload.



#### Technical Features

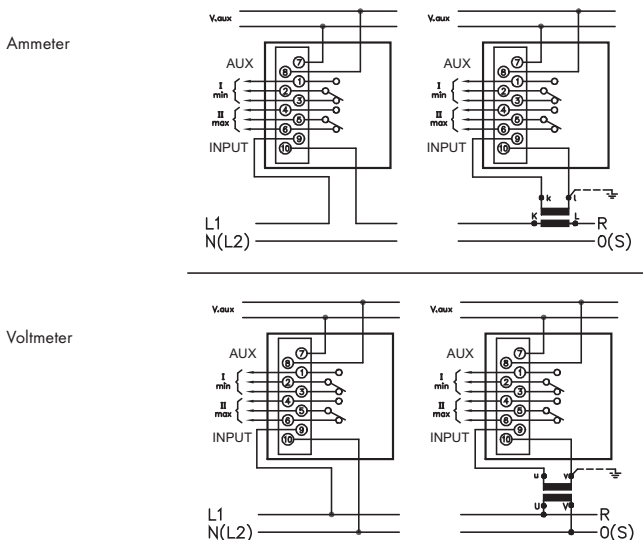
Type	EQC 96n/1	EQC 96n/2 max. EQC 96n/2min.
Front frame (mm)	96 x 96	96 x 96
Scale length (mm)	94	94
Weight (g)	540	540
Relay output	1 max. + 1 min.	2 max. (or 2 min)
Burden auxiliary supply (VA)	3	3

Burden of the movements see EQ-instruments on page 4/5

#### Standard Measuring Ranges

AC Voltage	AC Current
6 V	
10 V	
15 V	100 mA
25 V	150 mA
40 V	250 mA
60 V	400 mA
100 V	600 mA
150 V	1 A
250 V	1,5 A
300 V	2,5 A
400 V	4 A
500 V	6 A
600 V	
For voltage transformers .../ 100 V secondary .../ 110 V secondary	For current transformers .../ 1 A .../ 5 A

#### Connection diagrams



#### Dimensions

Dimensions in mm							
Type	a	c	d	e	g	h	Terminals
EQC 96n	96	99	-	92 ±0,8	26	5,5	screw terminals

