

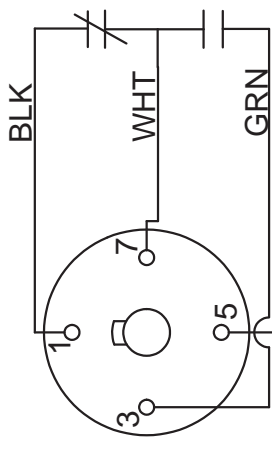
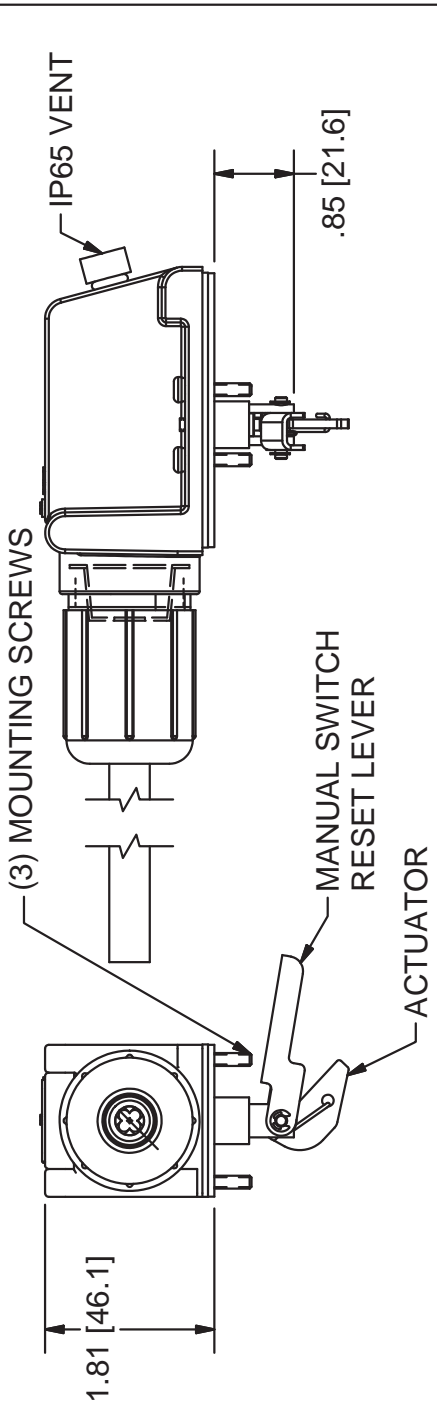
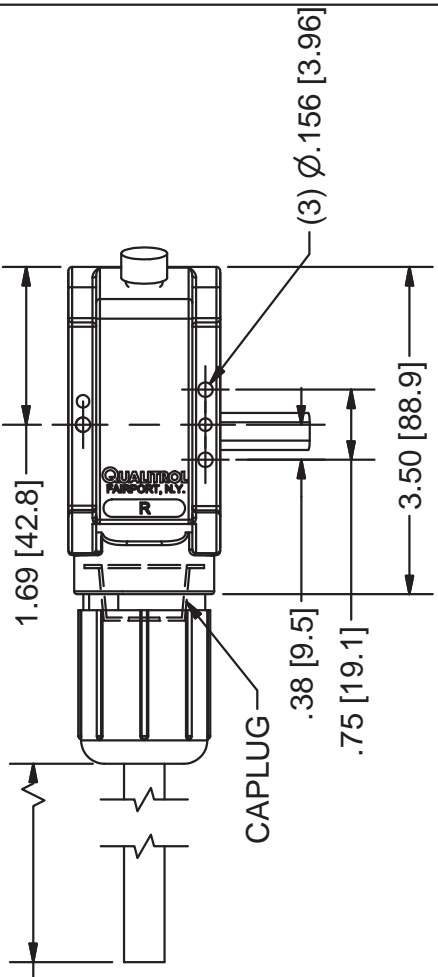
NOTICE
THIS DRAWING IS THE PROPERTY OF QUALITROL CORPORATION AND IS LOANED ONLY ON THE CONDITION THAT IT WILL BE RETURNED TO QUALITROL CORPORATION. IT IS NOT TO BE REPRODUCED, COPIED OR OTHERWISE DISPOSED OF, AND IS NOT TO BE USED IN WHOLE OR IN PART FOR ANY OTHER PROJECT WITHOUT THE WRITTEN PERMISSION OF QUALITROL CORPORATION. APPLICABLE SDR PARTS THEREOF, EXCEPT AS WRITTEN OTHERWISE FROM QUALITROL CORPORATION.

MODEL NO.
SWT-612

NOTE:
1.) UNIT PASSES HI-POT TEST;
2000 VOLTS BETWEEN CONNECTOR #16 GA, 4 COND. TERMINALS AND GROUND FOR 60 SECONDS. TYPE 'SOW-A/SOW' CABLE

SWITCH OPERATION:
-WHEN ALARM SWITCH IS MOUNTED ON PRESSURE RELIEF DEVICE, BLACK AND WHITE ARE CLOSED.
-SHOULD THE MECHANICAL RELIEF DEVICE BE CALLED UPON TO OPERATE; WHITE OPENS ON BLACK AND CLOSSES ON GREEN.
-BLACK AND WHITE WILL REMAIN OPENED UNTIL SWITCH RESET LEVER IS MANUALLY DEPRESSED.

SWITCH RATINGS FOR SWT-612-1 THRU 4
ENEC/CQC: 11(3) A, 125/250 VAC
UL/gUL: 11(3)A, 125/250 VAC
UL CARD FILE: E 12252



DEV-WIR-4Q01
SHOWN IN NON-ALARM STATE

31508	7-3-13	SWT-612-4	-	11A @ 125/250 VAC	CAPLUG ONLY
30809	12-4-12	SWT-612-3	80.00	11A @ 125/250 VAC	
30809	12-4-12	SWT-612-2	48.00	11A @ 125/250 VAC	
30809	12-4-12	SWT-612-1	0.00	11A @ 125/250 VAC	CONN. W/O CABLE
REVISION	PART NO.	"L"	SWITCH RATING	REMARKS	

SHEET 1 OF 2, SHEET 2 AND HIGHER FOR INTERNAL REF ONLY!

-	7-3-13	PT.-4: ADDED IP65 VENT TO ALARM SWITCH	31508
-	12-4-12	SH.2: LED-600-25 WAS LED-602-25	30809
-	7-26-12	SH.2: LED-602-25 WAS LED-623-223	30400
LET	DATE	ALTERATION	C.N.

QUALITROL
DIMENSIONS AND TOLERANCES IN ACCORDANCE WITH ASME Y14.5M-1994

PH. (585) 586-1515
FAX (585) 377-0220
1385 FAIRPORT ROAD
FAIRPORT, NY 14450
FORM 0-473 REV.D 10/22/02

TITLE: ALARM SWITCH
MODEL NO. SWT-612