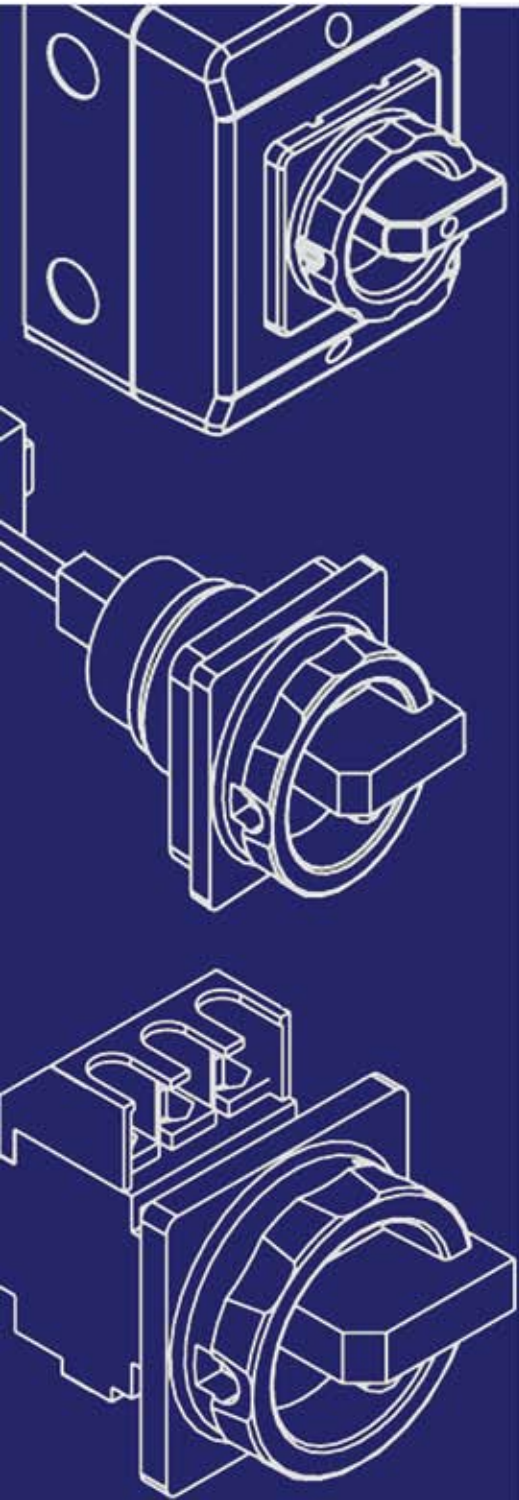




Electrical Components



Disconnect Switches 16A to 250A

Enclosed, Door Mount and Panel Mount Disconnects •
3, 4, and 6 Pole Models • 3 Padlockable Handle
Styles • Add-on Power Contacts • Auxiliary
Contacts • Shaft Extensions • Spare Handles



Disconnect Switches

All the disconnect switches are suitable for use as a motor disconnect.

In the 63A size disconnect switches there is the option of newer Sontheimer NLO/RLO compact switches or the larger more powerful traditional Sontheimer line of NLT/RLT switches.

NLO & RLO Disconnect Switches

Size	General Use		Motor Rating (UL, CSA)					
	1 Phase 0 - 240V	3 Phase 0 - 600V	HP 1 Phase		HP 3 Phase			
			120V	240V	120V	240V	480V	600V
16	16A	16A	0.5	1.5	1	3	7.5	10
25	25A	25A	2	3	3	7.5	10	15
32	32A	32A	2	3	3	10	20	22
40	40A	32A	2	4	5	10	20	20
63	50A	32A	3	10	5	15	25	30

Wire gauge for all above is 14-6 AWG. Tightening torque for all the above is 3.0 Nm. Short circuit rating for all the above is 5kA.

Information subject to change without notice

NLT & RLT Disconnect Switches

Size	General Use 3 Phase 600A	Motor Rating (UL, CSA)				Short Circuit Rating
		HP 3 Phase				
		240V	480V	600V		
63	63A	15	40	50	◇	
100	100A	30	60	75	□	
125	125A	40	75	100	□	
180	180A	40	75	50	□	
250	250A	50	100	75	□	

◇ 5 kA short circuit rating at 600V, when protected by 175A RK5 fuse or by a combination motor controller rated max. 50hp at 600Vac

□ 10KA short circuit rating at 600V, when protected by 200A class RK5 fuse

Information subject to change without notice

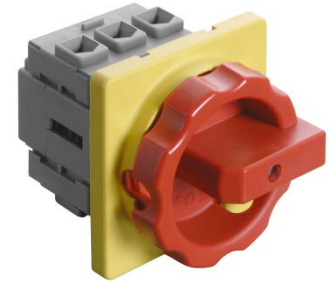
Index

- Door mount disconnect switches 4 hole mounting type "E" 3
- Door mount disconnect switches central hole mounting type "ZM" 4
- Door mount disconnect switches 4 Hole mounting type "T" 5
- Panel mount disconnect switches type "V" 6
- Enclosed disconnect switches types RLO/RLT 8
- MINI25 - Compact Enclosed Disconnect Switch 25A 9
- Accessories for disconnect switches 10

Door Mount Disconnect Switches 4 Hole Mounting Type "E"

Features and specifications:

- Switches mount directly to door or wall of enclosure with 4 screws
- Red/yellow padlockable handles to prevent unauthorized use
- 3, 4, and 6 pole versions available (6 upon special request)
- Auxiliary and Neutral contact blocks available from stock
- Ingress protection: IP54, IP65 with Z1 gasket (front), IP20 20 back



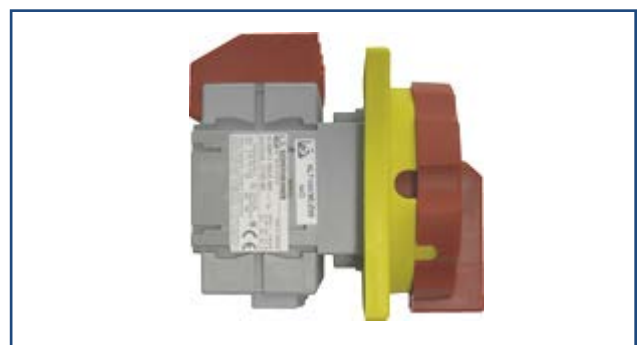
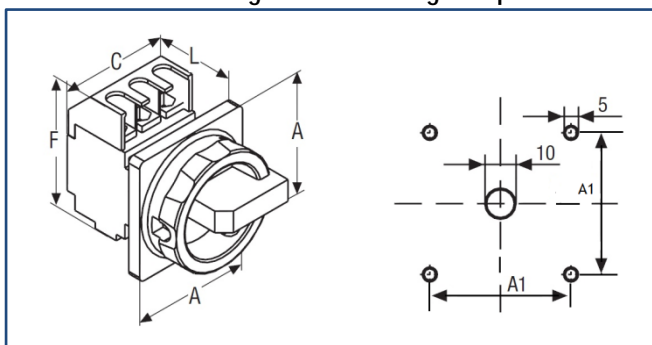
Note: Grey/black padlockable handle available. Change code from "NLO" or "NLT" to "ALO" or "ALT".

Door Mount Disconnect Switches (Order by Part No.)

Switch Size	3 Pole Part No.	4 Pole Part No.	6 Pole * Part No.
16	LBS-NLO16/3E/Z33	LBS-NLO16/4E/Z33	LBS-NLO16/6E/Z33*
25	LBS-NLO25/3E/Z33	LBS-NLO25/4E/Z33	LBS-NLO25/6E/Z33*
32	LBS-NLO32/3E/Z33	LBS-NLO32/4E/Z33	LBS-NLO32/6E/Z33*
40	LBS-NLO40/3E/Z33	LBS-NLO40/4E/Z33	LBS-NLO40/6E/Z33*
63 (NLO)	LBS-NLO63/3E/Z33	LBS-NLO63/4E/Z33	LBS-NLO63/6E/Z33*
63 (NLT)	LBS-NLT63/3E/Z33	LBS-NLT63/4E/Z33	LBS-NLT63/6E/Z33*
80	LBS-NLT80/3E/Z33	LBS-NLT80/4E/Z33	LBS-NLT80/6E/Z33*
100	LBS-NLT100/3E/Z33	LBS-NLT100/4E/Z33	LBS-NLT100/6E/Z33*
125	LBS-NLT125/3E/Z33	LBS-NLT125/4E/Z33	LBS-NLT125/6E/Z33*
180	LBS-NLT180/3E/Z33	LBS-NLT180/4E/Z33	—
250	LBS-NLT250/3E/Z33	LBS-NLT250/4E/Z33	—

Information subject to change without notice
* Special order

Dimensional drawing and mounting template



Dimensions

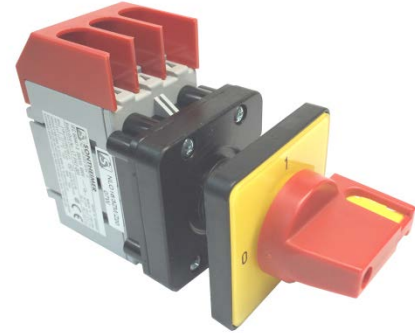
Model	A	A1	C	C	C	F	L
				3 Pole	4 Pole	6 Pole	
LBS-NLO16-63	66	48	36.4	49.5	—	73	53.5
LBS-NLO16-63	66	48	—	—	72.1	73	63.7
LBS-NLT63-80	66	48	60	80	121	73	59
LBS-NLT100-125	66	48	70	93	141	96	75
LBS-NLT180-250	94	68	112	150	224	169	93

Information subject to change without notice - All dimensions in mm

Door Mount Disconnect Switches Central Hole Mounting Type "ZM"

Features and specifications:

- Switches mount directly to door of enclosure through a single 22.5mm diameter, notched hole
- Available for 16, 32 and 63A thermal rated current, 25 and 40A upon request
- Red/yellow padlockable handles to prevent unauthorized use
- 3 pole versions available from stock. 4 and 6 pole upon request
- Auxiliary and neutral contact blocks available
- Ingress protection:** IP54, IP65 with gasket Z1 (front), IP20 back



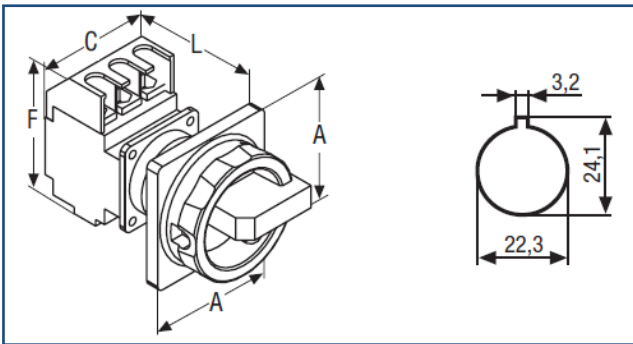
Note: Grey/black padlockable handle available. Change code from "NLO" or "NLT" to "ALO" or "ALT".

"ZM" Door Mount Disconnect Switches (Order by Part No.)

Switch Size	3 Pole Z20 Part No.	4 Pole Z20 Part No.*	3 Pole Z33 Part No.	4 Pole Z33 Part No.*
16	LBS-NLO16/3ZM/Z20	LBS-NLO16/4ZM/Z20*	LBS-NLO16/3ZM/Z33	LBS-NLO16/4ZM/Z33*
25	LBS-NLO25/3ZM/Z20	LBS-NLO25/4ZM/Z20*	LBS-NLO25/3ZM/Z33	LBS-NLO25/4ZM/Z33*
32	LBS-NLO32/3ZM/Z20	LBS-NLO32/4ZM/Z20*	LBS-NLO32/3ZM/Z33	LBS-NLO32/4ZM/Z33*
40	LBS-NLO40/3ZM/Z20	LBS-NLO40/4ZM/Z20*	LBS-NLO40/3ZM/Z33	LBS-NLO40/4ZM/Z33*
63 (NLO)	LBS-NLO63/3ZM/Z20	LBS-NLO63/4ZM/Z20*	LBS-NLO63/3ZM/Z33	LBS-NLO63/4ZM/Z33*
63 (NLT)	LBS-NLT63/3ZM/Z20	LBS-NLT63/4ZM/Z20*	LBS-NLT63/3ZM/Z33	LBS-NLT63/4ZM/Z33*
80	LBS-NLT80/3ZM/Z20	LBS-NLT80/4ZM/Z20*	LBS-NLT80/3ZM/Z33	LBS-NLT80/4ZM/Z33*

Information subject to change without notice
* Special order

Dimensional drawing and mounting template



Dimensions

Model	Z33 Handle					Z20 Handle				
	A	C	C	F	L	A	C	C	F	L
		3 Pole	4 Pole				3 Pole	4 Pole		
LBS-NLO16-63	66	36	49.5	73	76	48.5	36	49.5	73	77
LBS-NLT63-80	66	60	80	83	84	—	—	—	—	—

Information subject to change without notice - All dimensions in mm

DIN Rail Mount Disconnect Switches 4 Hole Mounting Type "T"

Features and specifications:

- Switches mount directly on DIN Rail
- Red/yellow padlockable handles to prevent unauthorized use
- 3, 4, and 6 pole versions available (6 upon special request)
- Auxiliary and additional contact blocks available from stock
- Face plate hinged to allow access to screws without removing handle and face plate
- Ingress protection: IP20

DIN Rail Mount Disconnect Switches Direct Mount Handle - Type T (Order by Part No.)

Switch Size	3 Pole Part No.	4 Pole Part No.	6 Pole Part No.*
16	LBS-NLO16/3T/Z20	LBS-NLO16/4T/Z20	LBS-NLO16/6T/Z20*
25	LBS-NLO25/3T/Z20	LBS-NLO25/4T/Z20	LBS-NLO25/6T/Z20*
32	LBS-NLO32/3T/Z20	LBS-NLO32/4T/Z20	LBS-NLO32/6T/Z20*
40	LBS-NLO40/3T/Z20	LBS-NLO40/4T/Z20	LBS-NLO40/6T/Z20*
63 (NLO)	LBS-NLO63/3T/Z20	LBS-NLO63/4T/Z20	LBS-NLO63/6T/Z20*
63 (NLT)	LBS-NLT63/3T/Z20	LBS-NLT63/4T/Z20	LBS-NLT63/6T/Z20*
80	LBS-NLT80/3T/Z20	LBS-NLT80/4T/Z20	LBS-NLT80/6T/Z20*
100	LBS-NLT100/3T/Z20	LBS-NLT100/4T/Z20	LBS-NLT100/6T/Z20*
125	LBS-NLT125/3T/Z20	LBS-NLT125/4T/Z20	LBS-NLT125/6T/Z20*

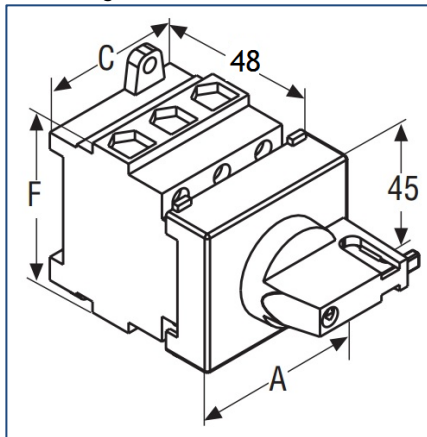
Information subject to change without notice
* Special order

Dimensions

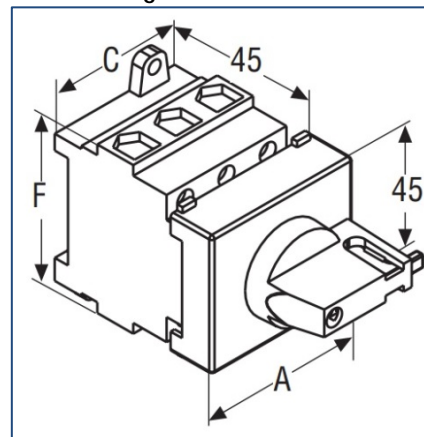
Model	A	A	A	C	C	C	F
	3 Pole	4 Pole	6 Pole	3 Pole	4 Pole	6 Pole	
LBS-NLO16-63	36	36	79	36	49	72	60
LBS-NLT63-80	63	83	125	60	82	121	64
LBS-NLT100-125	70	93	140	70	93	141	83

Information subject to change without notice - All dimensions in mm

NLO Diagram



NLT Diagram



Panel Mount Disconnect Switches Type "V"

Features and specifications:

- Switches mount to panel or DIN rail
- Door Interlock Function (door opens in 'off' position only)
- Red/yellow padlockable handle to prevent unauthorized use
- Front plate with clutch handle mounted by central hole and 4 screws
- Steel shaft (300mm) for reliable operation. Special lengths available on request
- 3 and 4 pole versions available from stock. 6 pole version available upon request
- Auxiliary and additional contact blocks available
- Ingress protection:** IP54, IP65 with gasket Z1 (front), IP20 back



The following types of handle/clutch/front plate are available:

- Standard type, Red/Yellow padlockable handle [code 71]
- Self-centering Clutch, Red/Yellow padlockable handle [code 45]
- Self-centering Clutch and defeatable Red/Yellow padlockable handle [code 39]

Note: Grey/black padlockable handle available. Change code from "NLO" or "NLT" to "ALO" or "ALT".

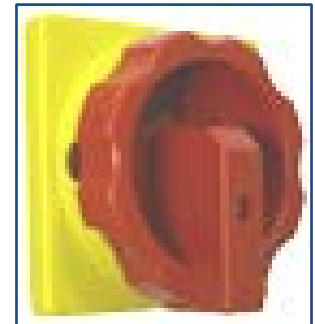
Panel Mount Disconnect Switch with 300mm Shaft and Standard Red/Yellow Rotary Handle "code 71"

"Code 71" Door Mount Disconnect Switches (Order by Part No.)

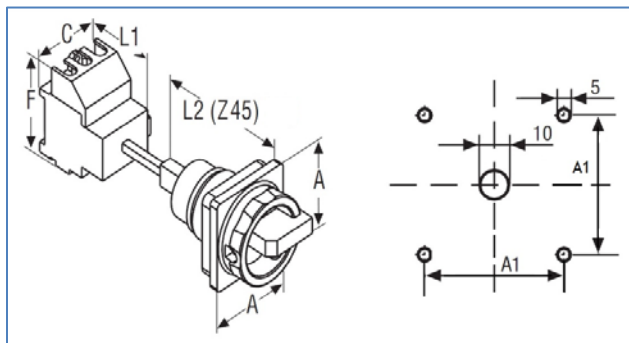
Switch Size	3 Pole Part No.	4 Pole Part No.	6 Pole Part No.*
16	LBS-NLO16/3V/Z33/71	LBS-NLO16/4V/Z33/71	LBS-NLO16/6V/Z33/71*
25	LBS-NLO25/3V/Z33/71	LBS-NLO25/4V/Z33/71	LBS-NLO25/6V/Z33/71*
32	LBS-NLO32/3V/Z33/71	LBS-NLO32/4V/Z33/71	LBS-NLO32/6V/Z33/71*
40	LBS-NLO40/3V/Z33/71	LBS-NLO40/4V/Z33/71	LBS-NLO40/6V/Z33/71*
63	LBS-NLO63/3V/Z33/71	LBS-NLO63/4V/Z33/71	LBS-NLO63/6V/Z33/71*
63	LBS-NLT63/3V/Z33/71	LBS-NLT63/4V/Z33/71	LBS-NLT63/6V/Z33/71*
80	LBS-NLT80/3V/Z33/71	LBS-NLT80/4V/Z33/71	LBS-NLT80/6V/Z33/71*
100	LBS-NLT100/3V/Z33/71	LBS-NLT100/4V/Z33/71	LBS-NLT100/6V/Z33/71*
125	LBS-NLT125/3V/Z33/71	LBS-NLT125/4V/Z33/71	LBS-NLT125/6V/Z33/71*

Information subject to change without notice

* Special order



Dimensions drawing and mounting template (Self-Centering Clutch Handle "code 45" shown)



Panel Mount switch with standard handle



Panel Mount Disconnect Switches with 300mm Shaft & Red/Yellow Rotary Handle with Self-centering Clutch "code 45"

"Code 45" Door Mount Disconnect Switches (Order by Part No.)

Switch Size	3 Pole Part No.	4 Pole Part No.*	6 Pole Part No.*
16	LBS-NLO16/3V/Z33/45	LBS-NLO16/4V/Z33/45*	LBS-NLO16/6V/Z33/45*
25	LBS-NLO25/3V/Z33/45	LBS-NLO25/4V/Z33/45*	LBS-NLO25/6V/Z33/45*
32	LBS-NLO32/3V/Z33/45	LBS-NLO32/4V/Z33/45*	LBS-NLO32/6V/Z33/45*
40	LBS-NLO40/3V/Z33/45	LBS-NLO40/4V/Z33/45*	LBS-NLO40/6V/Z33/45*
63 (NLO)	LBS-NLO63/3V/Z33/45	LBS-NLO63/4V/Z33/45*	LBS-NLO63/6V/Z33/45*
63 (NLT)	LBS-NLT63/3V/Z33/45	LBS-NLT63/4V/Z33/45*	LBS-NLT63/6V/Z33/45*
80	LBS-NLT80/3V/Z33/45	LBS-NLT80/4V/Z33/45*	LBS-NLT80/6V/Z33/45*
100	LBS-NLT100/3V/Z33/45	LBS-NLT100/4V/Z33/45*	LBS-NLT100/6V/Z33/45*
125	LBS-NLT125/3V/Z33/45	LBS-NLT125/4V/Z33/45*	LBS-NLT125/6V/Z33/45*
180	LBS-NLT180/3V/Z20/65/x83	LBS-NLT180/4V/Z20/65/x83*	—
250	LBS-NLT250/3V/Z20/65/x83	LBS-NLT250/4V/Z20/65/x83*	—

NOTE: 180 & 250A switches "code 65": handle is interlocking in position "ON". Information subject to change without notice
* Special order



Panel Mount Disconnect Switches with 300mm Shaft & Defeatable Red/Yellow Rotary Handle with Self-centering Clutch "code 39"

"Code 39" Door Mount Disconnect Switches (Order by Part No.)

Switch Size	3 Pole Part No.	4 Pole Part No.*	6 Pole Part No.*
16	LBS-NLO16/3V/Z33/39	LBS-NLO16/4V/Z33/39*	LBS-NLO16/6V/Z33/39*
25	LBS-NLO25/3V/Z33/39	LBS-NLO25/4V/Z33/39*	LBS-NLO25/6V/Z33/39*
32	LBS-NLO32/3V/Z33/39	LBS-NLO32/4V/Z33/39*	LBS-NLO32/6V/Z33/39*
40	LBS-NLO40/3V/Z33/39	LBS-NLO40/4V/Z33/39*	LBS-NLO40/6V/Z33/39*
63 (NLO)	LBS-NLO63/3V/Z33/39	LBS-NLO63/4V/Z33/39*	LBS-NLO63/6V/Z33/39*
63 (NLT)	LBS-NLT63/3V/Z33/39	LBS-NLT63/4V/Z33/39*	LBS-NLT63/6V/Z33/39*
80	LBS-NLT80/3V/Z33/39	LBS-NLT80/4V/Z33/39*	LBS-NLT80/6V/Z33/39*
100	LBS-NLT100/3V/Z33/39	LBS-NLT100/4V/Z33/39*	LBS-NLT100/6V/Z33/39*
125	LBS-NLT125/3V/Z33/39	LBS-NLT125/4V/Z33/39*	LBS-NLT125/6V/Z33/39*
180	LBS-NLT180/3V/Z20/64/x83	LBS-NLT180/4V/Z20/64/x83*	—
250	LBS-NLT250/3V/Z20/64/x83	LBS-NLT250/4V/Z20/64/x83*	—

NOTE: 180 & 250A switches "code 64": handle is not interlocking. Information subject to change without notice
* Special order



Dimensions for Panel Mount Disconnect Switches Type "V" (codes 71, 65, 64, 45, 39)

Model	A	A1	C	C	C	F	L1	L2
			3 Pole	4 Pole	6 Pole			Z45
LBS-NLO16-63	66	48	36	49	—	73	66.5	77
LBS-NLT16-25	66	48	48	48	—	62	50	80
LBS-NLT32-40	66	48	45	61	91	72	50	80
LBS-NLT63-80	66	48	60	80	121	83	59	80
LBS-NLT100-125	66	48	70	93	141	96	75	80
LBS-NLT180-250	94	68	112	150	224	169	93	47

Information subject to change without notice - All dimensions in mm

Enclosed Disconnect Switches Types RLO/RLT

Features and specifications:

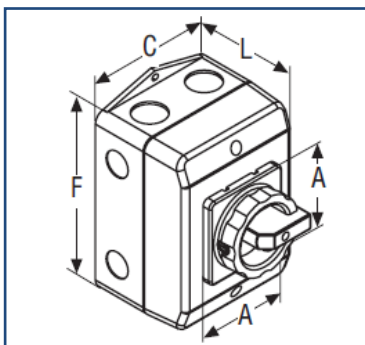
- Padlockable to prevent unauthorized use
- 3 Enclosure sizes depending on size of switch (D1, D2, D3)
- 3, 4, and 6 pole versions available
- Auxiliary and neutral contact blocks available
- Ingress protection: IP65, Type1, 4X and 12
- Approvals: Switches mounted in CSA approved non-metallic enclosures



RLT Enclosed Disconnect Switches (Order by Part No.)

Switch Size	3 Pole Part No.	4 Pole Part No.	6 Pole Part No.*
16	LBS-RLO16/3PM-D1/Z33	LBS-RLO16/4PM-D1/Z33	LBS-RLO16/6PM-D1/Z33*
25	LBS-RLO25/3PM-D1/Z33	LBS-RLO25/4PM-D1/Z33	LBS-RLO25/6PM-D1/Z33*
32	LBS-RLO32/3PM-D1/Z33	LBS-RLO32/4PM-D1/Z33	LBS-RLO32/6PM-D1/Z33*
40	LBS-RLO40/3PM-D1/Z33	LBS-RLO40/4PM-D1/Z33	LBS-RLO40/6PM-D1/Z33*
63 (RLO)	LBS-RLO63/3PM-D1/Z33	LBS-RLO63/4PM-D1/Z33	LBS-RLO63/6PM-D1/Z33*
63 (RLT)	LBS-RLT63/3PM-D2/Z33	LBS-RLT63/4PM-D2/Z33	LBS-RLT63/6PM-D3/Z33*
80	LBS-RLT80/3PM-D2/Z33	LBS-RLT80/4PM-D2/Z33	LBS-RLT80/6PM-D3/Z33*
100	LBS-RLT100/3PM-D3/Z33	LBS-RLT100/4PM-D3/Z33	LBS-RLT100/6PM-D3/Z33*
125	LBS-RLT125/3PM-D3/Z33	LBS-RLT125/4PM-D3/Z33	LBS-RLT125/6PM-D3/Z33*
180	LBS-RLT180/3PM-D3/Z33	—	—
250	LBS-RLT250/3PM-D3/Z33	—	—

Information subject to change without notice
* Special order



Dimensions and Knockouts

Model	Enclosure Size	A	C	F	L	Knockouts
LBS-RLO16-63	D1	66	100	140	81	4xM25, 2xM20
LBS-RLT63-125	D2	66	146	176	104	4xM32/40, 2xM20
LBS-RLT180-250	D3	125	373	373	230	2xM40/63, 2xM32/50, 4xM25/40

Information subject to change without notice - All dimensions in mm

MINI25 - Compact Enclosed Disconnect Switch 25A

The most cost-effective model of enclosed 25A disconnect switch from SONTHEIMER. Specially designed to control small/medium automation products, single-phase and three-phase electric motors, heating and lighting control panels, etc. Auxiliary contacts cannot be added.

Features and Specifications:

- Small footprint
- Easy to install, wire and maintain
- Conforms to current requirements for use as a motor disconnect
- 2 screw ground/neutral terminals inside the enclosure
- Mounting via 2 external screw slots or 4 internal knock-outs
- Maximum wire section: 4mm², 10AWG
- Cable entry: 4 pre-threaded M20x1.5
- Dimensions: 57.5x64x74mm, 3¼ x 2½ x 3" (HxWxD)
- Operating temperature: -20 to 50°C (max 80°C)
- Ingress protection: IP67
- Voltage rating (CSA/UL): 600Vac
- Current rating (CSA/UL): 25A
- 3-ph HP rating (CSA/UL): 240V-1HP / 480V-5HP / 600V-5HP
- Approvals: CSA, UL, CE-marked, RoHS

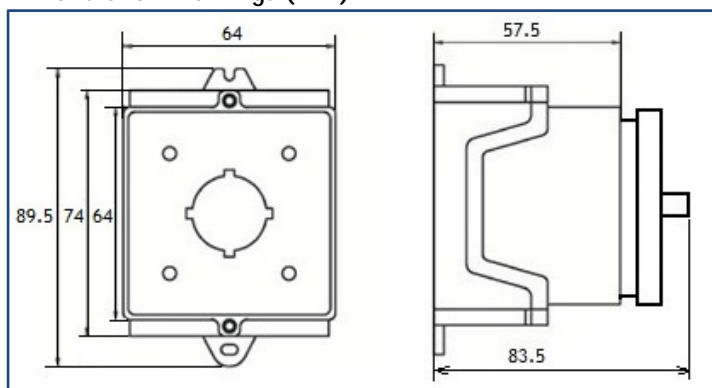


Compact enclosed disconnect switches 25A and accessories (Order by Part No.)

Part No.	Description
LBS-WAI184/R3/25A	25A compact enclosed 3-ph disconnect switch, 3 pole, red/yellow lockable handle Z33
LBS-WAI185/R3/25A	25A compact enclosed 3-ph disconnect switch, 3 pole, black/grey lockable handle Z33
LBS-WAI184/R4/25A	25A compact enclosed 3-ph disconnect switch, 4 pole, red/yellow lockable handle Z33
LBS-WAI185/R4/25A	25A compact enclosed 3-ph disconnect switch, 4 pole, black/grey lockable handle Z33
180.020	M20x1.5 cable gland, polyamide 6 light grey, range 6-12mm, 0.236-0.472 inches
181.020	M20x1.5 cable gland - reduced seal, polyamide 6 light grey, range 5-9mm, 0.197-0.354 inches
182.020	M20x1.5 cable gland, polyamide 6 light grey, range 10-14mm, 0.394-0.551 inches
193.622	Thread adapter, polyamide, M20(M) to 1/2in NPT(F)

Information subject to change without notice


Dimensional Drawings (mm):



Accessories for Disconnect Switches

Auxiliary Contact Blocks (1 NO + 1 NC)



- Side mount auxiliary contacts for switching power/signal of 10A or less

Contact Diagram	Switch Size	Door Mount Part No.	Panel/Enclosed Mount Part No.
	16A to 125A	LBS-HE11	LBS-HV11



Add-on Neutral (Power) Blocks

- Add poles to your disconnect with these side mount and stackable neutral blocks

Contact Diagram - Early Make	Switch Size	Door Mount Part No.	Panel/Enclosed Mount Part No.
	16A - 25A 25A - 40A 63A - 80A 100A - 125A	LBS-NVG-20E LBS-NVG-40E LBS-NVG-80E LBS-NVG-125E	LBS-NVG-20V LBS-NVG-40V LBS-NVG-80V LBS-NVG-125V
Contact Diagram - Simultaneous Make	Switch Size	Door Mount Part No.	Panel/Enclosed Mount Part No.
	16A - 25A 25A - 40A 63A - 80A 100A - 125A	LBS-NGG-20E LBS-NGG-40E LBS-NGG-80E LBS-NGG-125E	LBS-NGG-20V LBS-NGG-40V LBS-NGG-80V LBS-NGG-125V



Extension Shaft with Coupler

- Doubles the length of the panel mount disconnect shaft

Extension Shaft Part No:	LBS-Z40
--------------------------	---------

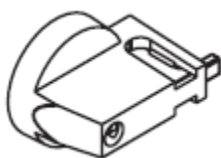

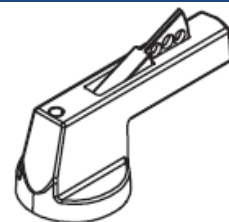


Replacement Handles

Padlockable handle Z20

Available in three sizes:

- Small for up to two padlocks, medium and large for up to three padlocks each, hasp thickness: 6mm

LBS-Z20S (Small)	LBS-Z20M (Medium)	LBS-Z20L (Large)	Availability for switch type and size					
				16-25A	32-40A	63-80A	100-125A	180-250A
			Small	E, ZM, V	E, ZM, V	E, ZM, V	—	—
			Medium	E, ZM, V	E, ZM, V	E, ZM, V	E, V	—
			Large	—	—	—	—	E, V

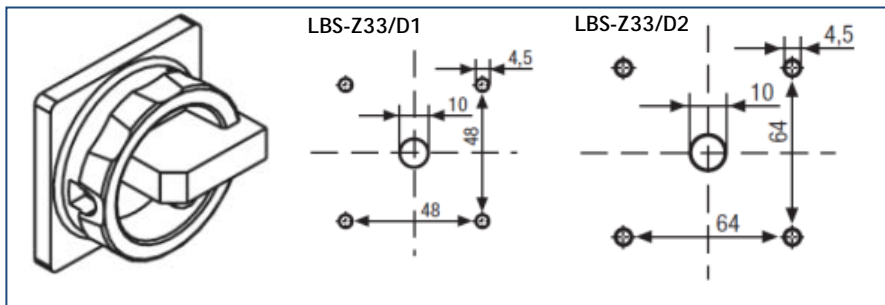
Round Padlockable handle Z33

For locking with up to three padlocks, hasp thickness: 6mm (Small) or 8mm (Large). Available for:

Disconnect Switch Type	16-25A	32-40A	63-80A	100-125A	180-250A
4 Hole Mount Type E	✓	✓	✓	✓	✓
Central Hole Mount Type ZM	✓	✓	✓	–	–
Panel Mount Type V Style 71/45/39	✓	✓	✓	✓	✓
Enclosed (RLT)	✓	✓	✓	✓	–


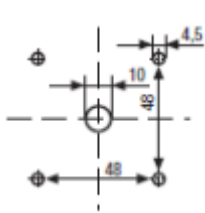
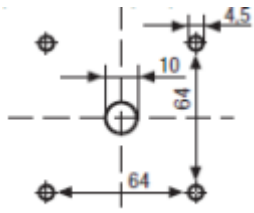
How to Order (Order by Part No.)

Handle Model/Size	Red/Yellow Handle for Door Mount & Enclosed Switches	Standard		Handles for Panel Mount Switches	
		Red/Yellow	Grey/Black	Red/Yellow with Self-Adjusting Clutch	Defeatable with Self-Adjusting Clutch
Small 66x66mm	LBS-Z33/D1	LBS-Z33	LBS-Z33/Z71B	LBS-Z33/Z45	LBS-Z39
Large 90x90mm	LBS-Z33/D2	–	–	–	–



Rectangular Padlockable handle Z35

For locking with up to three padlocks, hasp thickness: 6mm (small) or 8mm (medium).

LBS-Z35	Small	Medium	Availability for switch type and size					
			16-25A	32-40A	63-80A	100-125A	180-250A	
			Small	E, V	E, V	E, V	E, V	–
			Medium	E, V	E, V	E, V	E, V	–

Shaft Assembly (replacement Parts, Order by Part No.)

Part No.	Description
LBS-Z33/Z71	Shaft and clutch for standard handle Z71, 16-125A
LBS-Z33/Z45	Shaft and self-adjusting clutch for handle Z45, 16-125A
LBS-WA1109	Shaft and plastic inserts for door-mount switches "E", 16-80A

Since 1994, ITC is a trusted resource for industrial electrical and automation components. With over 9000 different parts available from its warehouse in the GTA, ITC can provide its customers the perfect blend of dependable stock, quality products, fair pricing, and friendly, knowledgeable service.

Here are some of our manufacturing partners:



TEL: 416-663-7223
 FAX: 416-663-7224
 sales@itcproducts.com
 www.itcproducts.com



DIN Rail



DIN Rail Accessories



Spelsberg TK Series



Spelsberg TG Enclosures



Hinged Enclosures



Aluminum Enclosures



Suspension Systems



Terminal Blocks



Terminal Strips



ILME Connectors



Coded Connectors



Sauro PCB Blocks & Connectors



Push Buttons



LED Indicators



Midget and CC Fuse Holders



Limit Switches



Micro Limit Switches



Safety Switches



Power Supplies



Foot Switches



IEC Contactors



Tower Lights



Disconnect Switches



Sensor Systems



Termination Kits



Ferrules



Crimp Terminals



Colour Coded Lugs



Cable Glands



Thread Adapters



Wire Duct



DIN Rail Cutters



Crimping Tools



Hole Cutting & Punching Tools



Cutting & Stripping Tools - Wire & Cable