



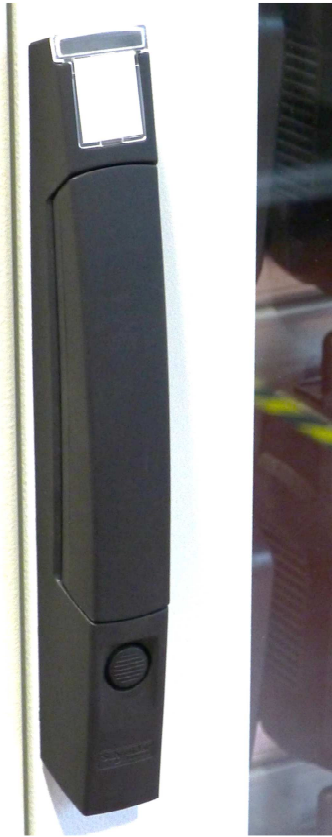
# ***Battery Chargers Cabinets***

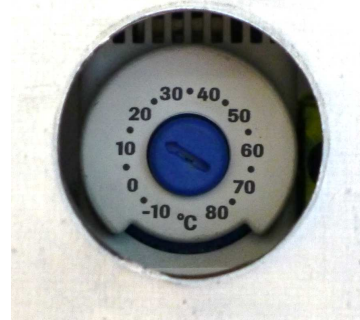
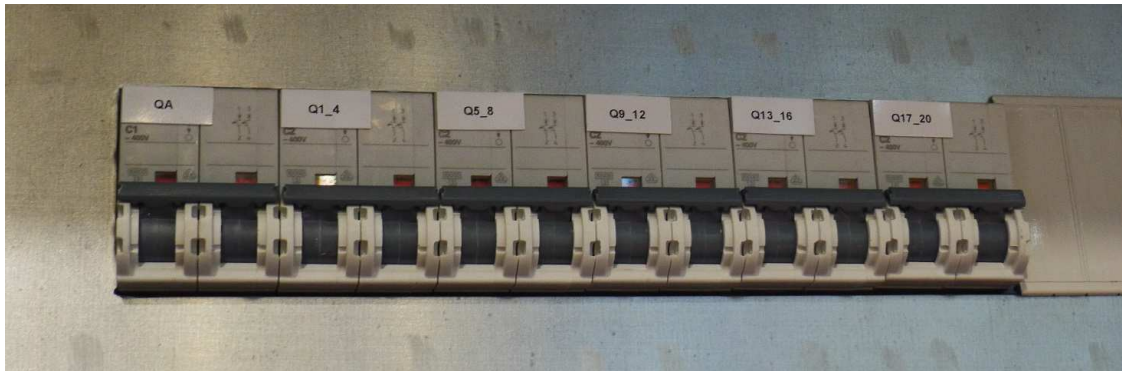
## ***Customer Presentation***

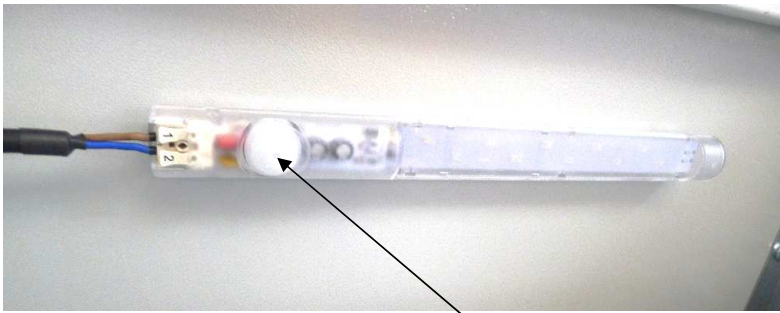












Internal Light activated by a movement sensor.



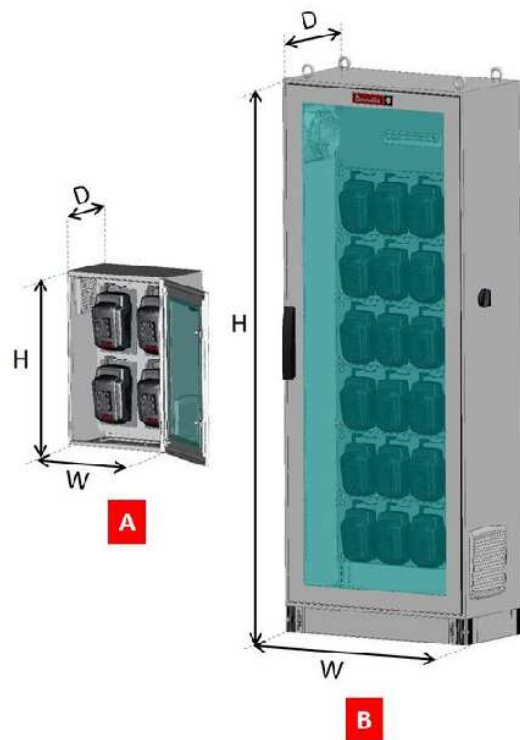


# Battery Chargers Cabinets – Range Overview



Home > By Solutions > [Battery charger Cabinet](#)

## Battery charger Cabinet



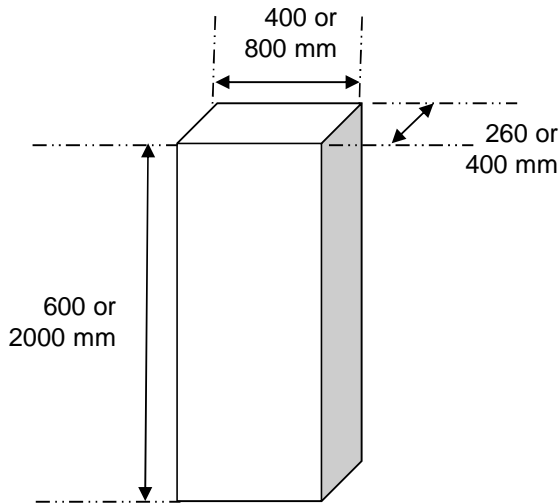
Characteristics	Unit	DSM0111100	DSM0111300
Charger capacity	Nb	up to 4	up to 24
Type form	Type	A	B
Dimension (H x W x D)	mm	600 x 400 x 260	2000 x 800 x 400
Approximate weight	Kg	22	145
DSE reference	Ref.	DSE0008XYY	DSE0009XYY
PDMLink	PDM Link	<a href="https://...656&amp;u8=1">https://...656&amp;u8=1</a>	<a href="https://...714&amp;u8=1">https://...714&amp;u8=1</a>



# Characteristics



DSM0111100  
4 chargers capacity



DSM0111300  
Up to 24 chargers capacity



Feature 1

Feature 1

Feature 1

Feature 1

Feature 1

Feature 1

Feature 1





**More Than Productivity**

