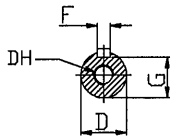
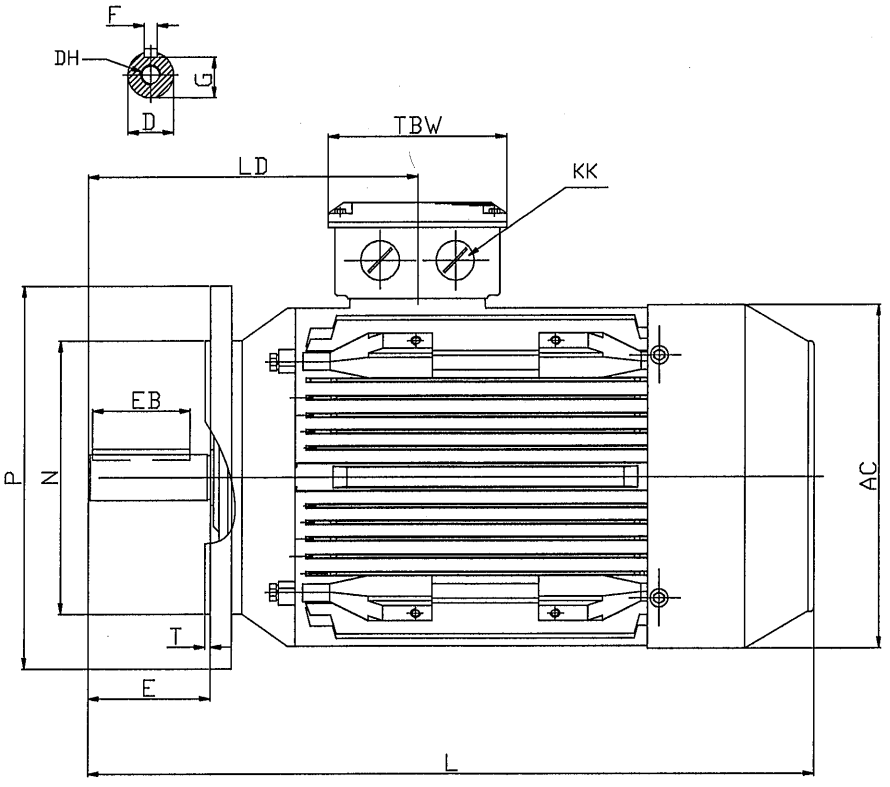
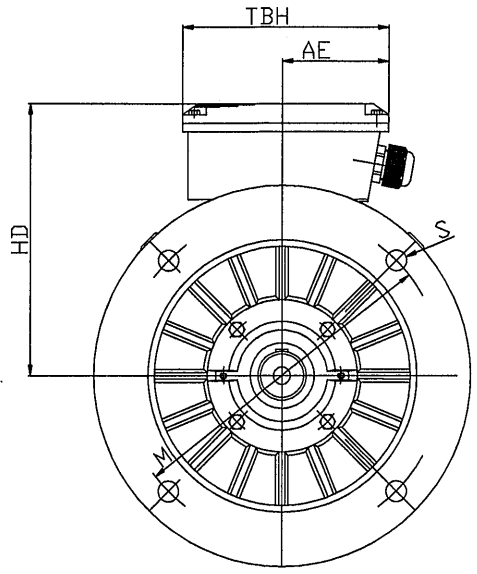


DIMENSIONS

AC	399
AE	116.5
HD	300
TBH	233
TBW	186
LD	395
KK	2-M40
L	768
E	110 ⁰ _{-0.043}
EB	90
F	16 ±0.43
DH	M20 X42
G	49 ⁰ _{-0.20}
D	55 ^{+0.030} _{+0.011}
M	350
S	4XØ19
T	5
N	300
P	400
BRG DE	6312 C3
BRG NDE	6312 C3
WEIGHT	



THIS IS TO CERTIFY THAT THIS DRAWING & DIMENSIONS ARE CORRECT FOR:
 DESCRIPTION _____
 SIGNATURE _____ DATE _____

DIMENSION OUTLINE	DRAWN	DWG #
200L B5	DATE	
	CHK	
	APPD	
	REV	