

08099100 & 08099500 BATTERY DISCONNECT SWITCHES

250A/350A • SPST • IP65 • M10/M12 Studs



08099500 Description

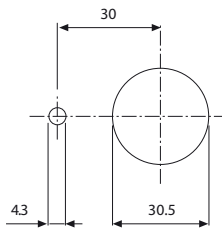
250A/350A Manual battery master switch with removable or fixed handle. Available with weather protective boots.

- 08099100** is interchangeable with IVECO 4822229
- 08099170** is interchangeable with IVECO 500362400
- 08099500** (change-over contact) is interchangeable with IVECO 99458665, supplementary contact 1A and high load supplementary contact 5A

Features/Benefits

- 250-350A continuous current rating
- With aluminum fixed handle or removable key
- Robust body in thermoplastic material
- Waterproof to IP65

Mounting Diagram



Specifications

Max Operating Voltage:	24V DC
Max Continuous Current:	250A & 350A
Intermittent Current:	2500A at 3 sec
Operating Temp:	-40 °C to +85 °C
Ingress Protection:	IP65
Contacts:	Silver-plated Copper
Terminals:	M10 (brass nuts) M12 (inox nuts)

Applications

- Heavy Truck
- Off-Road
- Emergency Vehicles
- Mining
- Agricultural
- Material Handling

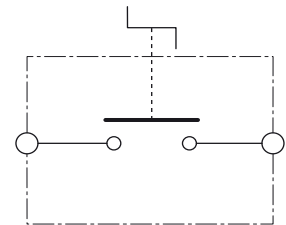
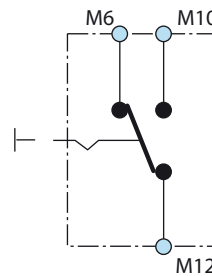
Web Resources

Download 2D print and technical resources at:
littelfuse.com/ManualBatterySwitches

Electrical Diagram

With supplementary contacts (08099500)

Standard contacts



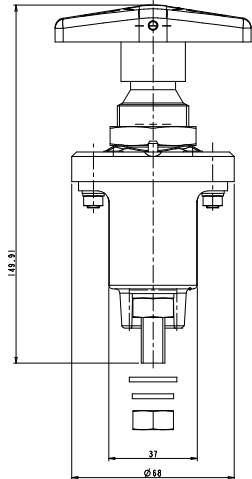
Ordering Information

PART NUMBER	VOLTAGE	AMPERAGE	CIRCUITRY	MOUNTING	INGRESS	TERMINAL NUTS	NOTES
08099100	12-24V DC	250A	SPST	Through-Hole	IP65	M10 Brass	Fixed handle
08098300	12-24V DC	250A	SPST	Through-Hole	IP65	M10 Brass	Removable key
08099170	12-24V DC	250A	SPST	Through-Hole	IP65	M10 Brass	Fixed handle
08099500	12-24V DC	250A	SPST	Through-Hole	IP65	M10 Brass	Fixed handle (change-over contact)
08099200	12-24V DC	350A	SPST	Through-Hole	IP65	M12 Inox	Fixed handle

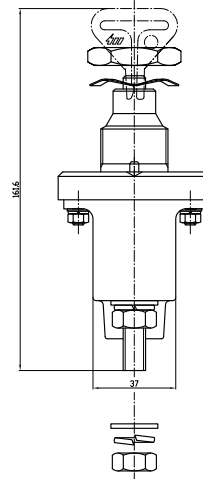
08099100 & 08099500 BATTERY DISCONNECT SWITCHES

Dimensions in millimeters

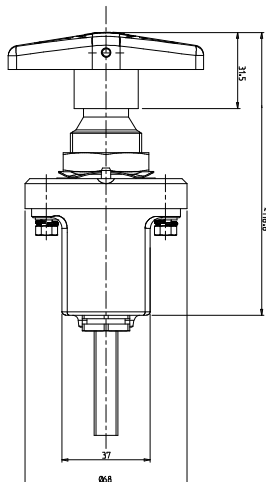
08099100



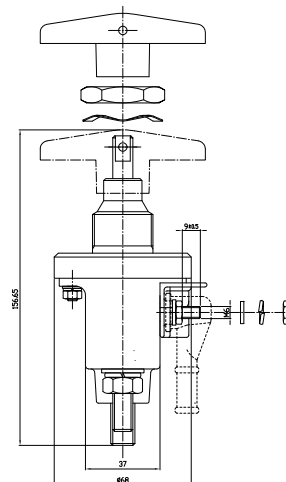
08098300



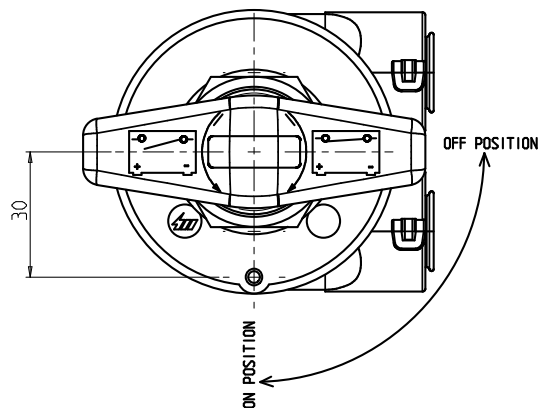
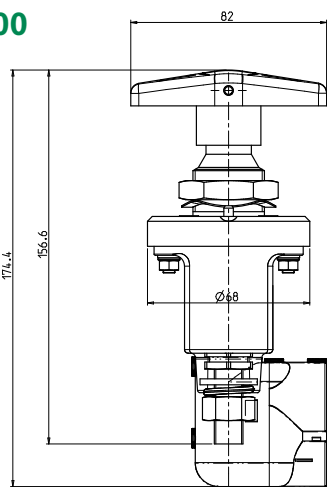
08099170



08099500



08099200



Visit Littelfuse.com for the most up-to-date product information. Littelfuse reserves the right to make product changes, without notice. Material in this document is as accurate as known at the time of publication.