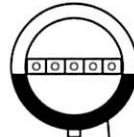
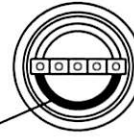


PINS' LAYOUT OF PROBE SIDE

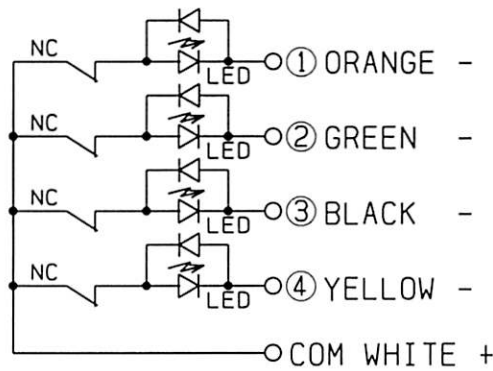
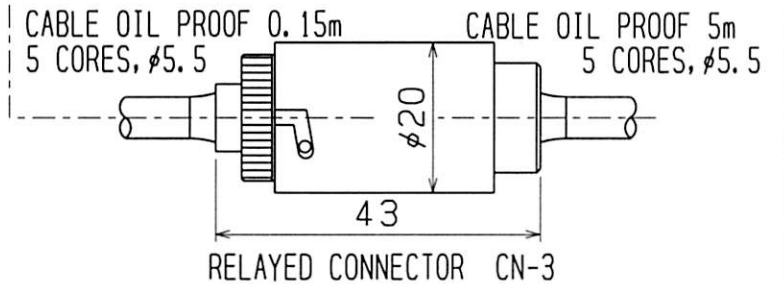


PINS' LAYOUT OF MACHINE SIDE



RED PAINTED
(SEEN FROM JOINT SURFACE)
PLEASE JOINT RED PARTS OF EACH CONNECTOR

SENSOR HEAD H4A-12-06H | SOCKET CABLE 5m CN3-5-5



SET NUMBER : H4A-12-06S

COMPOSITION [SENSOR HEAD H4A-12-06H
SOCKET CABLE CN3-5-5

	NAME	TOOL SETTING PROBE
A 4	DRAWING NUMBER	H4A-12-06S
1 : 1	METROL TOOLSSENSOR.COM	