

REV.	DATE	DESCRIPTION	BY	CHK
1	15.11.17	INITIAL DESIGN	Y. YAMAGUCHI	
2	15.11.17	REVISION FOR PARTS LIST	Y. YAMAGUCHI	
3	15.11.17	REVISION FOR PARTS LIST	Y. YAMAGUCHI	
4	15.11.17	REVISION FOR PARTS LIST	Y. YAMAGUCHI	
5	15.11.17	REVISION FOR PARTS LIST	Y. YAMAGUCHI	
6	15.11.17	REVISION FOR PARTS LIST	Y. YAMAGUCHI	
7	15.11.17	REVISION FOR PARTS LIST	Y. YAMAGUCHI	
8	15.11.17	REVISION FOR PARTS LIST	Y. YAMAGUCHI	
9	15.11.17	REVISION FOR PARTS LIST	Y. YAMAGUCHI	
10	15.11.17	REVISION FOR PARTS LIST	Y. YAMAGUCHI	
11	15.11.17	REVISION FOR PARTS LIST	Y. YAMAGUCHI	
12	15.11.17	REVISION FOR PARTS LIST	Y. YAMAGUCHI	
13	15.11.17	REVISION FOR PARTS LIST	Y. YAMAGUCHI	
14	15.11.17	REVISION FOR PARTS LIST	Y. YAMAGUCHI	
15	15.11.17	REVISION FOR PARTS LIST	Y. YAMAGUCHI	
16	15.11.17	REVISION FOR PARTS LIST	Y. YAMAGUCHI	
17	15.11.17	REVISION FOR PARTS LIST	Y. YAMAGUCHI	
18	15.11.17	REVISION FOR PARTS LIST	Y. YAMAGUCHI	
19	15.11.17	REVISION FOR PARTS LIST	Y. YAMAGUCHI	
20	15.11.17	REVISION FOR PARTS LIST	Y. YAMAGUCHI	
21	15.11.17	REVISION FOR PARTS LIST	Y. YAMAGUCHI	
22	15.11.17	REVISION FOR PARTS LIST	Y. YAMAGUCHI	
23	15.11.17	REVISION FOR PARTS LIST	Y. YAMAGUCHI	

**仕様 SPECIFICATIONS**

- 1. 適用 APPLICATION**  
 本装置は「ブレーキ用ソレノイド」の「カム」である  
 BRAKE FOR SOLENOID VALVE
- 1-1. 適用流体 圧縮空気**  
 FLUID APPLIED COMPRESSED AIR
- 1-2. 回路および負荷**  
 CIRCUIT AND LOAD
- 図-1  
 FIG-1
- 
- 1-3. 動作圧力範囲** 0.2~1.0MPa  
 OPERATING PRESSURE
- 1-4. 使用温度範囲** -5℃~60℃(本機のみ)  
 OPERATING TEMPERATURE
- 1-5. 電気定格 (ソレノイド: SLA1D-DU1-D2-005)**  
 ELECTRIC RATING (SOLENOID VALVE)  
 DC24V  
 保持電流 0.89A  
 AMPERE HOLDING  
 電力 21.3W  
 ELECTRIC POWER

- 2. 検査 EXTERNAL INSPECTION**
- 2-1. 外形検査 EXTERNAL INSPECTION**  
 疵を有する部、箇所がない。  
 FREE FROM DEFECT (CRACK OR RUST ETC.)  
 CAUSE DETERIORATION OF PERFORMANCE.
- 2-2. 外形寸法 OUTSIDE DIMENSION**  
 検査を受ける。  
 DRAWING PASSAGE
- 2-3. 接続口径 PIPING SIZE**  
 1BP: M20x1.5 2(A): φ21 3(E): Rc1
- 2-4. 有効断面積 EFFECTIVE SECTIONAL AREA**  
 1(P)→2(A): 55mm<sup>2</sup> 2(A)→3(E): 280 mm<sup>2</sup>

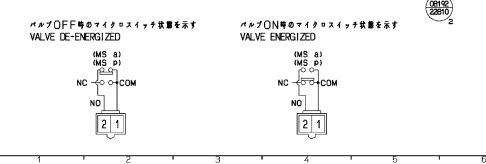
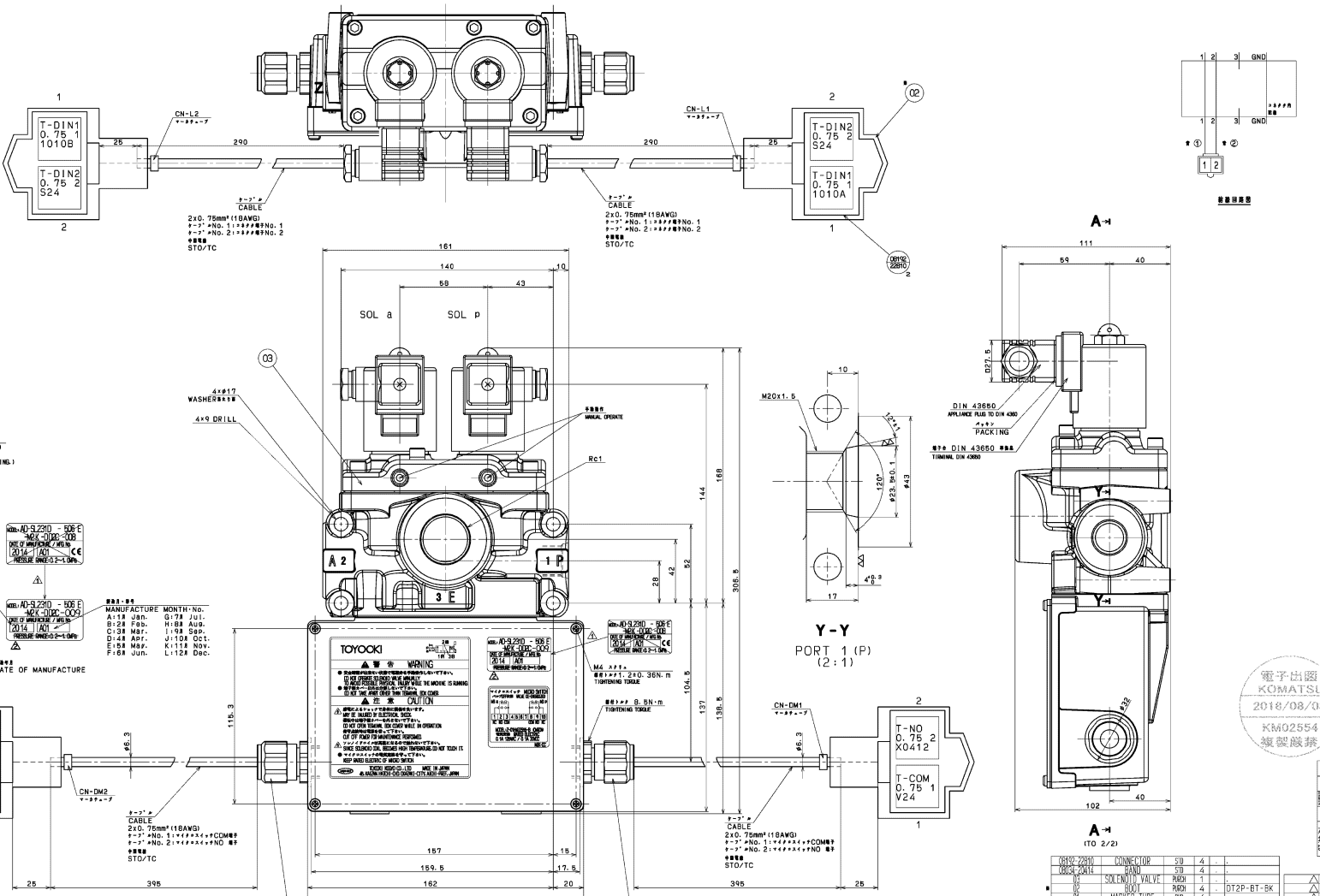
- 3. 性能 PERFORMANCE**
- 3-1. 耐圧 CAPACITY TO RESIST PRESSURE**  
 1.5 MPa
- 3-2. 応答時間 RESPONSE TIME**  
 ON: 0.033 秒以下  
 OFF: 0.015 秒以下
- 3-3. 動作速度 RATE OF CYCLE**  
 3 回 / 分以下  
 CYCLE/MIN
- 3-4. 動作時残圧 RESIDUAL PRESSURE OF MISOPERATION**  
 0-1 (P) φ 5 N BT  
 OF PORT-P PRESSURE
- 3-5. マイクロスイッチ型 MICRO SWITCH MODEL**  
 Z-01HW22555-B (OMRON)

**4. 使用条件 USE CONDITIONS**

使用温度範囲 OPERATIONAL TEMPERATURE	4℃ TO 80℃
貯蔵温度範囲 STORAGE TEMPERATURE	-30℃ TO 80℃
防塵・防湿性 DUSTPROOF/WATERPROOF	IP64
耐振動性 VIBRATION RESISTANCE	10G
耐衝撃性 SHOCK RESISTANCE	30G
動作圧力 OPERATING PRESSURE	1.0MPa
耐圧力 PRESSURE RESISTANCE	3.0MPa

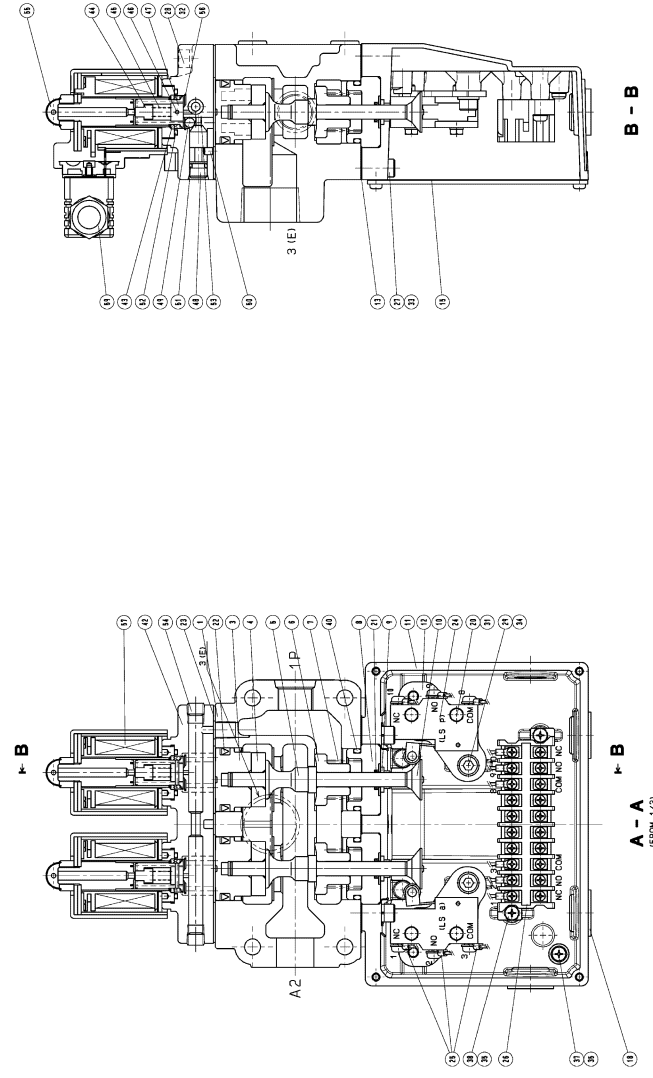
- 5. 本装置の取扱いには KESS66-300-01 を参照すること。  
 HANDLING OF THIS PART SHALL BE IN ACCORDANCE WITH KES66-300-01**
- 6. フォトリソ加工品 (UL1277/UL1277TC) の場合、その寸法公差は、UL1277/UL1277TC の規定に準拠すること。  
 WIRE MATERIAL SHALL COMPLY TO UL1277/UL1277TC COMPLIANCE OF ST07/TC (IEC 6078-20)**
- 7. ワイヤハーネス購入仕様書 (KES-90-167) を参照すること。  
 WIRE HARNESS PURCHASE SPECIFICS NO.167 IS TO BE MET.**
- 8. 本装置は、豊田工業株式会社「カム」の「カム」である。  
 (AD-SL2310-50E-M2K-DD2C-001)  
 THIS PART IS A DUAL SOLENOID DIRECTIONAL CONTROL VALVE MANUFACTURED BY TOYOOKI KOGYO CO.,LTD.**
- 9. コネクタ端子にコネクタノドを施すこと。  
 08034-20414 を使用する場合は、  
 FIX MARKER TUBE INDICATING CONNECTOR NO. (2PLACES) BY D08034-20414 AT CONNECTOR ENDS AND TERMINAL ENDS.**

- 10. カマには、ナンバリングを施すこと。  
 INSTALL NUMBERING IN BOTH ENDS OF WIRE.  
 THE MOUNTING DIRECTION DEPENDS ON THE FOLLOWING.**
- ナンバリング  
 NUMBERING
- 
- 11. ナンバリングは、白地に黒文字とし、予備線は黄地に黒文字とする。  
 NUMBERING IS MADE A WOODEN PICK IN THE WHITE GROUND.  
 AND A PRELIMINARY LINE IS MADE A WOODEN PICK ON THE YELLOW GROUND.**
- 12. 本装置 94F-50-23111 Δ と呼ぶ (4番線) のみ異なる。  
 THIS DWG. IS DIFFERENT FROM 94F-50-23111 Δ ONLY MARKED #14 PLACES.**



REV.	DATE	DESCRIPTION	BY	CHK
1	15.11.17	INITIAL DESIGN	Y. YAMAGUCHI	
2	15.11.17	REVISION FOR PARTS LIST	Y. YAMAGUCHI	
3	15.11.17	REVISION FOR PARTS LIST	Y. YAMAGUCHI	
4	15.11.17	REVISION FOR PARTS LIST	Y. YAMAGUCHI	
5	15.11.17	REVISION FOR PARTS LIST	Y. YAMAGUCHI	
6	15.11.17	REVISION FOR PARTS LIST	Y. YAMAGUCHI	
7	15.11.17	REVISION FOR PARTS LIST	Y. YAMAGUCHI	
8	15.11.17	REVISION FOR PARTS LIST	Y. YAMAGUCHI	
9	15.11.17	REVISION FOR PARTS LIST	Y. YAMAGUCHI	
10	15.11.17	REVISION FOR PARTS LIST	Y. YAMAGUCHI	
11	15.11.17	REVISION FOR PARTS LIST	Y. YAMAGUCHI	
12	15.11.17	REVISION FOR PARTS LIST	Y. YAMAGUCHI	
13	15.11.17	REVISION FOR PARTS LIST	Y. YAMAGUCHI	
14	15.11.17	REVISION FOR PARTS LIST	Y. YAMAGUCHI	
15	15.11.17	REVISION FOR PARTS LIST	Y. YAMAGUCHI	
16	15.11.17	REVISION FOR PARTS LIST	Y. YAMAGUCHI	
17	15.11.17	REVISION FOR PARTS LIST	Y. YAMAGUCHI	
18	15.11.17	REVISION FOR PARTS LIST	Y. YAMAGUCHI	
19	15.11.17	REVISION FOR PARTS LIST	Y. YAMAGUCHI	
20	15.11.17	REVISION FOR PARTS LIST	Y. YAMAGUCHI	
21	15.11.17	REVISION FOR PARTS LIST	Y. YAMAGUCHI	
22	15.11.17	REVISION FOR PARTS LIST	Y. YAMAGUCHI	
23	15.11.17	REVISION FOR PARTS LIST	Y. YAMAGUCHI	

電子出図  
 KOMATSU  
 2018/08/03  
 KMO2554  
 線製蔵庫



NO.	WAVE NAME	WAVE NAME	WAVE NAME	WAVE NAME	WAVE NAME
1	1000	1000	1000	1000	1000
2	1000	1000	1000	1000	1000
3	1000	1000	1000	1000	1000
4	1000	1000	1000	1000	1000
5	1000	1000	1000	1000	1000
6	1000	1000	1000	1000	1000
7	1000	1000	1000	1000	1000
8	1000	1000	1000	1000	1000
9	1000	1000	1000	1000	1000
10	1000	1000	1000	1000	1000
11	1000	1000	1000	1000	1000
12	1000	1000	1000	1000	1000
13	1000	1000	1000	1000	1000
14	1000	1000	1000	1000	1000
15	1000	1000	1000	1000	1000
16	1000	1000	1000	1000	1000
17	1000	1000	1000	1000	1000
18	1000	1000	1000	1000	1000
19	1000	1000	1000	1000	1000
20	1000	1000	1000	1000	1000
21	1000	1000	1000	1000	1000
22	1000	1000	1000	1000	1000
23	1000	1000	1000	1000	1000
24	1000	1000	1000	1000	1000
25	1000	1000	1000	1000	1000
26	1000	1000	1000	1000	1000
27	1000	1000	1000	1000	1000
28	1000	1000	1000	1000	1000
29	1000	1000	1000	1000	1000
30	1000	1000	1000	1000	1000
31	1000	1000	1000	1000	1000
32	1000	1000	1000	1000	1000
33	1000	1000	1000	1000	1000
34	1000	1000	1000	1000	1000
35	1000	1000	1000	1000	1000
36	1000	1000	1000	1000	1000
37	1000	1000	1000	1000	1000
38	1000	1000	1000	1000	1000
39	1000	1000	1000	1000	1000
40	1000	1000	1000	1000	1000
41	1000	1000	1000	1000	1000
42	1000	1000	1000	1000	1000
43	1000	1000	1000	1000	1000
44	1000	1000	1000	1000	1000
45	1000	1000	1000	1000	1000
46	1000	1000	1000	1000	1000
47	1000	1000	1000	1000	1000
48	1000	1000	1000	1000	1000
49	1000	1000	1000	1000	1000
50	1000	1000	1000	1000	1000
51	1000	1000	1000	1000	1000
52	1000	1000	1000	1000	1000
53	1000	1000	1000	1000	1000
54	1000	1000	1000	1000	1000
55	1000	1000	1000	1000	1000
56	1000	1000	1000	1000	1000
57	1000	1000	1000	1000	1000
58	1000	1000	1000	1000	1000
59	1000	1000	1000	1000	1000
60	1000	1000	1000	1000	1000

電子出図  
KOMATSU  
2018/08/03  
KMD2554  
線図線集

NO.	DATE	REVISION	REMARKS
1	2018.08.03	1	INITIAL DRAWING
2			
3			
4			
5			
6			
7			
8			
9			
10			
11			
12			
13			
14			
15			
16			
17			
18			
19			
20			
21			
22			
23			

NO.	DATE	REVISION	REMARKS
1	2018.08.03	1	INITIAL DRAWING
2			
3			
4			
5			
6			
7			
8			
9			
10			
11			
12			
13			
14			
15			
16			
17			
18			
19			
20			
21			
22			
23			