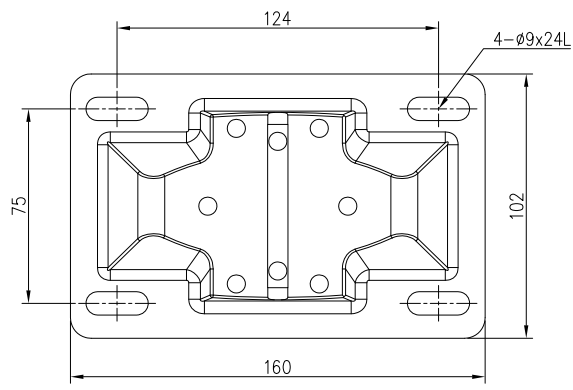
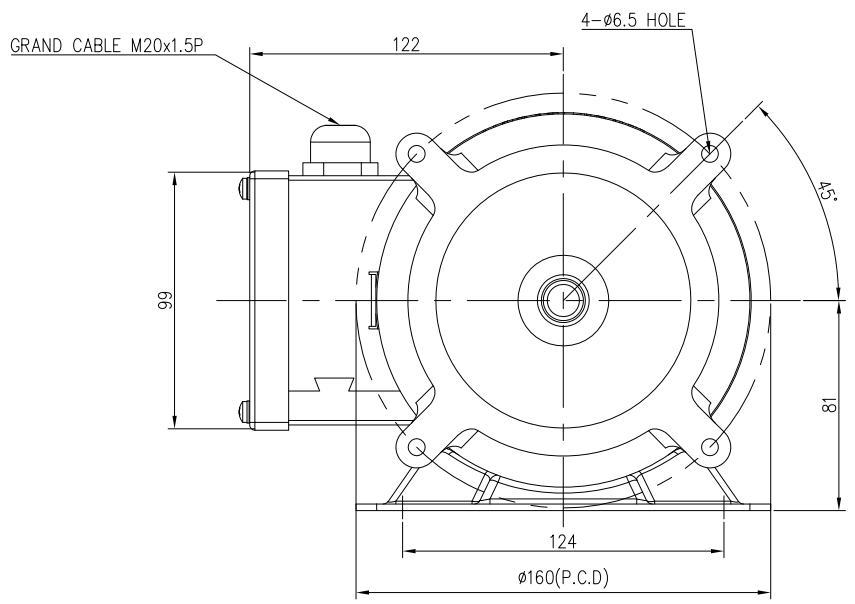
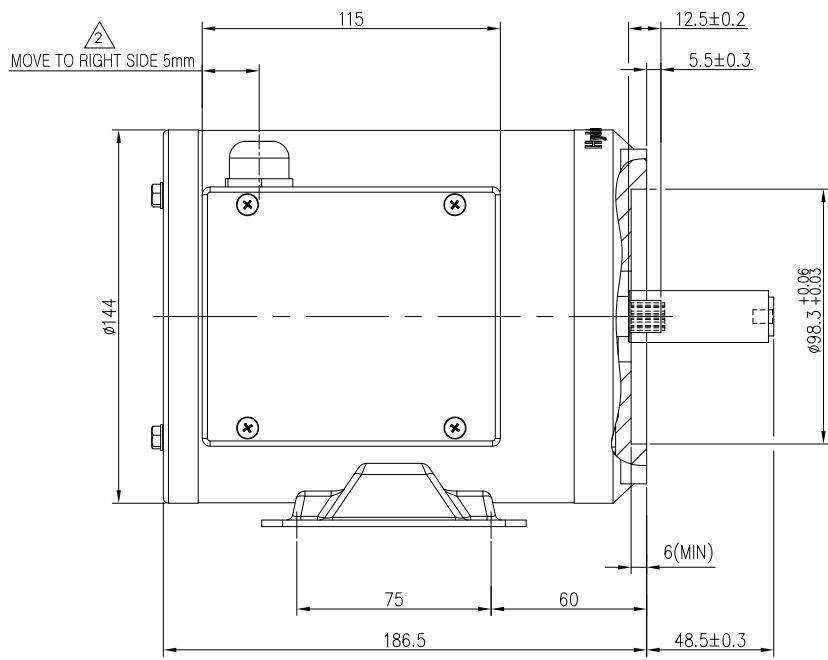


Rev.	No.	Description	Date
01	1	코드변경 - S22260HC12 => S22260HC12F(윤여진 주임 요청 by C. J. Kim	18.03.22
02	2	그랜드케이블 홀 위치 5mm 우측으로 이동 (유재만 과장 요청) (업체에서 도면에 표기를 해주지 않아, 내용만 적음)	18.05.24
03	3	도면번호 변경(관리번호->신규 도면번호)	21.05.03

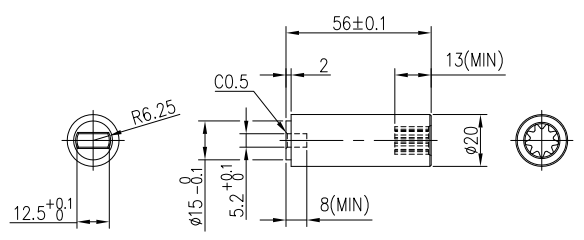
Designed by	Checked by	Confirmed by

Number of teeth	Z	9
Analog-to-digital	m	1.27
Pressure angle	α D	30°
Large-diameter	Dee	$\phi 12.4 \begin{smallmatrix} 0 \\ -0.011 \end{smallmatrix}$
Small-diameter	Die	$\phi 9.525 \begin{smallmatrix} 0 \\ -0.011 \end{smallmatrix}$



MOUNTING BRACKET DETAIL

Spline Coupling Dimension



Connection diagram

CW 115V CCW	CW 230V CCW
Blue(1) — Blue(1)	Blue(1) — L1 — Blue(1)
Orange(3) — L1 — Orange(3)	White(2) — White(2)
Red(8) — Black(5)	Orange(3) — Orange(3)
Brown① — L2 — Brown①	Red(8) — Black(5)
Brown② — Brown②	Brown① — L2 — Brown①
White(2) — White(2)	Brown② — Brown②
Yellow(4) — Yellow(4)	Yellow(4) — Yellow(4)
Black(5) — Red(8)	Black(5) — Red(8)

No.	Description	Q'ty	Remark
	Client	-	Weight(kg)
하이드로텍(주)	Item Name	AC MOTOR	Date
Scale	Drawing No.	100-4019416-03	DS.
N/S	3		J. H. Lee
Form Informaton	Item Code	AS20756HC22F	AP.
for AutoCAD 2004 A3			W. S. Choi