



Round shaped medium bore size cylinder, double acting/single rod type

SCM Series

- Bore size: 20, 25, 32, 40 mm
50, 63, 80, 100 mm

JIS symbol



CAD DATA AVAILABLE.

Specifications

Descriptions		SCM							
Bore size	mm	20 dia.	25 dia.	32 dia.	40 dia.	50 dia.	63 dia.	80 dia.	100 dia.
Actuation		Double acting							
Working fluid		Compressed air							
Max. working pressure	MPa	1.0							
Min. working pressure	MPa	0.1				0.05			
Withstanding pressure	MPa	1.6							
Ambient temperature	°C	-10 to 60 (to be unfrozen)							
Port size	Rubber cushioned	Rc1/8				Rc1/4	Rc3/8	Rc1/2	
	Air cushioned	M5	Rc1/8			Rc1/4	Rc3/8	Rc1/2	
Stroke tolerance	Rubber cushioned	+1.4 0 (to 1000)		+1.4 0 (to 1500)		+2.3 0 (to 1000),		+2.7 0 (to 1500)	
	Air cushioned	+1.4 0 (to 1000)		+1.4 0 (to 1500)		+1.4 0 (to 1000),		+1.8 0 (to 1500)	
Working piston speed	mm/s	30 to 1000 (use it within the range of allowable energy absorption.)							
Cushion		Rubber cushion/air cushion can be selected.							
Effective air cushion length	mm	8.1	8.1	8.6	8.6	13.4	13.4	15.4	15.4
Lubrication		Not required (when lubrication, use turbine oil ISO VG32.)							
Allowable energy absorption	Rubber cushioned	0.1	0.2	0.5	0.9	1.6	1.6	3.3	5.8
	Air cushioned	0.8	1.2	2.5	3.7	8.0	14.4	25.4	45.6

Stroke length

Bore size (mm)	Standard stroke length (mm)	Max. stroke length (mm)	Min. stroke length (mm)
20 dia.	25, 50, 75, 100, 125, 150, 200, 250, 300	1000	.10: Without switch
25 dia.			10: One switch (Note)
32 dia.			25: Two switches
40 dia.		1500	40: 3 switches (proximity switch)
50 dia.			50: 3 switches (reed switch)
63 dia.			55: 4 switches
80 dia.	75: 5 switches (proximity switch)		
100 dia.	85: 5 switches (reed switch)		

Note: When one switch is installed and 10 to 25 mm stroke, switch rail installation position is different. Please refer to Page 283 about the installation position.
Also, manufacturing of mounting style trunnion type is not available.

SCP * 2
CMK2
CMA2
SCM
SCA2
SCS
CKV2
CAV2/
COV * 2
CAT
MDC2
MVC
SMD2
MSD/
MSDG
SSD
SSD
(large)
FC *
ULKP/
ULK
JSK2/
JSM2
JSC3
(medium)
JSC3
(large)
JSB3
UCAC
STS/
STL
LCS
LCY
STR2
UCA2
STK
USSD
USC
MFC
GLC
SHC
CAC3
HCM
HCA
MRL2
SRL2
SRG
SRM
SRT
SRB2

Switch specifications

- One color/bi-color indication type

Descriptions	Proximity 2 wire		Proximity 3 wire		Reed 2 wire			
	T2H/T2V/T2JH/T2JV	T2YH/T2YV	T3H/T3V	T3YH/T3YV	T0H/T0V		T5H/T5V	
Applications	Programmable controller		Programmable controller, relay		Programmable controller, relay		Programmable controller, relay (C circuit (without indicator light), serial connection)	
Power voltage	-		DC10 to 28V		-			
Load voltage	DC10 to 30V		DC30V or less		DC12/24V	AC110V	DC5/12/24V	AC110V
Load current	5 to 20mA (Note 1)		100mA or less	50mA or less	5 to 50mA	7 to 20mA	50mA or less	20mA or less
Light	LED (ON lighting)	Red/green LED (ON lighting)	LED (ON lighting)	Red/green LED (ON lighting)	LED (ON lighting)		-	

* Note 1: Max. load current above: 20mA at 25°C. When ambient temperature around switch is more than 25°C, the value is lower than 20mA. (5 to 10mA at 60°C)

- With preventive maintenance output

Descriptions	Proximity 3 wire		Proximity 4 wire		Proximity 3 wire		Proximity 4 wire	
	T2YFH/V		T3YFH/V		T2YMH/V		T3YMH/V	
Applications	Programmable controller		Programmable controller, relay		Programmable controller		Programmable controller, relay	
Light	Red/green LED (when ON points etc.)							
	-		-		Yellow LED (ON lighting)			
Output part	Power voltage		DC10V to 28V		-		DC10V to 28V	
	Load voltage		DC30V or less		DC10V to 30V		DC30V or less	
Preventive maintenance	Load current		DC50mA or less		DC5 to 20mA		DC50mA or less	
	Load voltage		DC30V or less					
Load current	DC20mA or less		DC50mA or less		DC5 to 20mA or less		DC50mA or less	

Cylinder mass

(Unit: Kg)

Descriptions/mounting style	When stroke length (S) =0mm, product mass					Switch mass	Additional mass	
	Basic type (00)	Axial foot type (LB)	Flange type (FA/FB)	Clevis type	Trunnion type (TA/TB)	Grommet	per S= 10mm (with switch rail)	
20 dia.	0.10	0.21	0.13	0.15	0.11	0.018	0.01	0.012
25 dia.	0.17	0.30	0.21	0.25	0.19	0.018	0.014	0.016
32 dia.	0.26	0.42	0.32	0.41	0.29	0.018	0.018	0.02
40 dia.	0.41	0.63	0.49	0.64	0.46	0.018	0.03	0.032
50 dia.	0.77	1.25	1.11	1.17	0.91	0.018	0.044	0.046
63 dia.	1.07	1.79	1.57	1.75	1.21	0.018	0.052	0.054
80 dia.	2.04	3.00	2.75	2.75	-	0.018	0.07	0.072
100 dia.	3.17	4.92	4.52	4.45	-	0.018	0.098	0.10

(E. g.) product mass of SCM-LB-40B-100-T2H-D

{ When S=0mm, product mass is 0.63kg
 S= additional mass at 100mm is $0.032 \times \frac{100}{10} = 0.32\text{kg}$
 Mass of two switches, $0.018 \times 2 = 0.036\text{kg}$
 Product mass $0.63 + 0.32 + 0.036 = 0.986\text{kg}$

Standard type
Round shaped cylinder

How to order

Without switch

SCM - LB - 40 B - 100 - J I

With switch

SCM - LB - 40 B - 100 - T2H - D - J I

A Mounting style

B Bore size

C Cushion

D Stroke length

E Switch model No.
Note 2

F Switch quantity
Note 3

G Option
Note 4

H Accessory

⚠ Cautions for model No. selection

- Note 1: Mounting bracket is attached to the product when shipping.
 Note 2: Available other than "E" Switch model No. (custom order)
 Please refer to Ending 1 about details.
 Note 3: Refer to the following page about how to order switch.
 Note 4: Instantaneous maximum temperature is the temperature when spark and spatter etc. instantaneously contact to bellows.
 Note 5: Please refer to Ending 81 about custom specifications of rod end form.

<Example of model number>

SCM-LB-40B-100-T2H-D-JI

Model: Round shaped cylinder, double acting

- A Mounting style : Axial foot type
 B Bore size : 40mm
 C Cushion : Both sides air cushioned
 D Stroke length : 100mm
 E Switch model No : Proximity T2H switch, lead wire 1m
 F Switch quantity : Two
 G Option : Bellows material/max. ambient temperature 60°C
 H Accessory : Rod eye

Symbol	Descriptions								
A Mounting style									
	Bore size								
00	Basic type	20	25	32	40	50	63	80	100
LB	Axial foot type	●	●	●	●	●	●	●	●
FA	Rod side flange type	●	●	●	●	●	●	●	●
FB	Head side flange type	●	●	●	●	●	●	●	●
CA	Eye bracket type	●	●	●	●	●	●	●	●
CB	Clevis bracket type							●	●
TA	Rod side trunnion type	●	●	●	●	●	●		
TB	Head side trunnion type	●	●	●	●	●	●		

E Bore size (mm)	
20	20 dia.
25	25 dia.
32	32 dia.
40	40 dia.
50	50 dia.
63	63 dia.
80	80 dia.
100	100 dia.

C Cushion	
B	Both sides air cushioned
R	Rod side air cushioned
H	Head side air cushioned
D	Both sides rubber cushioned

D Stroke length (mm)	
25, 50, 75, 100, 125, 150, 200, 250, 300	

E Switch model No.				
Axial lead wire	Radial lead wire	Reed Contact	Display	
T0H *	T0V *	Proximity	1 color indicator	
T5H *	T5V *			2 wire
T2H *	T2V *			
T3H *	T3V *	2 color indicator	3 wire	
T2YH *	T2YV *			With preventive maintenance output
T3YH *	T3YV *	3 wire		
T2YFH *	T2YFV *		3 wire	
T3YFH *	T3YFV *	4 wire		
T2YMH *	T2YMV *		3 wire	
T3YMH *	T3YMV *	4 wire		
T2JH *	T2JV *		Off delay type	2 wire

* Lead wire length	
Blank	1m (standard)
3	3m (option)
5	5m (option)

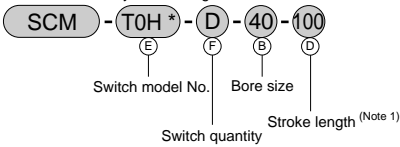
F Switch quantity	
R	One on rod side
H	One on head side
D	Two
T	Three
4	4 switches (When more than 4 switches, indicate switch quantity.)

G Option		
	Max. ambient	Instant max.
J	Bellows 60 °C	100 °C
K	Bellows 100 °C	200 °C
L	Bellows 250 °C	400 °C
Q	Switch rail attached at delivery	
M	Piston rod material (stainless steel)	
P6	Copper and PTFE free	

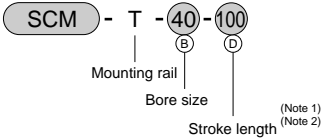
H Accessory									
	Bore size								
I	Rod eye	20	25	32	40	50	63	80	100
Y	Rod clevis	●	●	●	●	●	●	●	●
B1	Eye bracket	●	●	●	●	●	●	●	●
B2	Clevis bracket	●	●	●	●	●	●	●	●

How to order switch

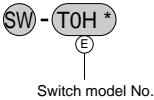
- Switch main body + mounting rail set



- Mounting rail only



- Switch only



E Switch model No.		B Bore size		D Stroke length (mm)
Axial lead wire	Radial lead wire	20	20 dia.	Standard stroke length
TOH *	T0V *	25	25 dia.	
T5H *	T5V *	32	32 dia.	25
T2H *	T2V *			
T3H *	T3V *	40	40 dia.	50
T2YH *	T2YV *			
T3YH *	T3YV *	50	50 dia.	75
T2YFH *	T2YFV *			
T3YFH *	T3YFV *	63	63 dia.	100
T2YMH *	T2YMV *			
T3YMH *	T3YMV *	80	80 dia.	125
T2YFH *	T2YFV *			
T3YFH *	T3YFV *	100	100 dia.	150
T2YMH *	T2YMV *			
T3YMH *	T3YMV *	100	100 dia.	200
T2YMH *	T2YMV *			
T3YMH *	T3YMV *	100	100 dia.	250
T2YMH *	T2YMV *			
T3YMH *	T3YMV *	100	100 dia.	300
T2YMH *	T2YMV *			
T3YMH *	T3YMV *	100	100 dia.	X
T2YMH *	T2YMV *			

* mark shows lead wire length.

F Switch quantity	
R	One
D	Two
T	Three
4	4 pcs.
5	5 pcs.

When more than 4 switches, indicate switch quantity.

* Lead wire length

Blank	1m
3	3m
5	5m

Note 1: When more than 300mm stroke, indicate "X".

When more than 300 mm stroke, a short rail (100 mm switch adjustment distance) is provided per switch.

Note 2: When placing an order of mounting rail only, this is indicated by "X", order rails as same quantity as using switches.

How to order mounting bracket

Bore size (mm)	20 dia.	25 dia.	32 dia.	40 dia.	50 dia.	63 dia.	80 dia.	100 dia.
Mounting bracket								
Foot (LB)	SCM-LB-20	SCM-LB-25	SCM-LB-32	SCM-LB-40	SCM-LB-50	SCM-LB-63	SCM-LB-80	SCM-LB-100
Flange (FA/FB)	SCM-FA-20	SCM-FA-25	SCM-FA-32	SCM-FA-40	SCM-FA-50	SCM-FA-63	SCM-FA-80	SCM-FA-100
Eye (CA)	SCM-CA-20	SCM-CA-25	SCM-CA-32	SCM-CA-40	SCM-CA-50	SCM-CA-63	-	-
Clevis (CB)	-	-	-	-	-	-	SCM-CB-80	SCM-CB-100
Trunnion (TA/TB)	SCM-TA-20	SCM-TA-25	SCM-TA-32	SCM-TA-40	SCM-TA-50	SCM-TA-63	-	-

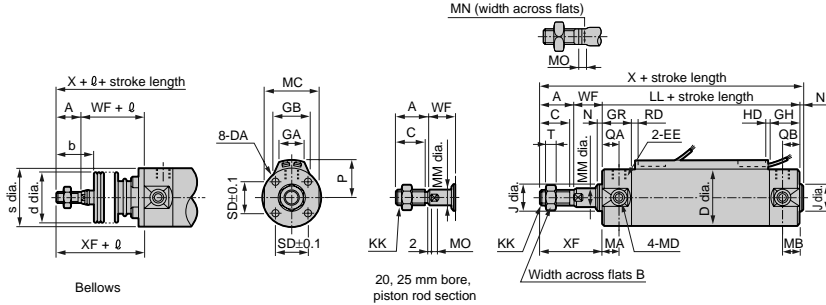
- Note: Mounting bolts are attached to each mounting bracket.

SCP * 2
CMK2
CMA2
SCM
SCA2
SCS
CKV2
CAV2/
COV * 2
CAT
MDC2
MVC
SMD2
MSD/
MSDG
SSD
SSD
(large)
FC *
ULKP/
ULK
JSK2/
JSM2
JSC3
(medium)
JSC3
(large)
JSB3
UCAC
STS/
STL
LCS
LCY
STR2
UCA2
STK
USSD
USC
MFC
GLC
SHC
CAC3
HCM
HCA
MRL2
SRL2
SRG
SRM
SRT
SRB2

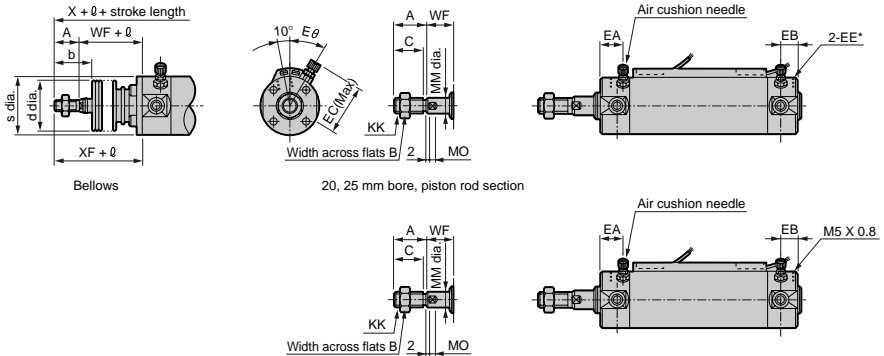
Standard type
Round shaped cylinder

Dimensions

- Basic type (00) 20 to 100 mm bore  (File name: Page 286 or Ending 114)
<Rubber cushioned>



- <Air cushioned>
For 20, 25 mm bore cylinder, piping ports are different.




Note 1: Please refer to Page 283 about HD, RD dimensions of 2 color indicator type preventive maintenance output switch.

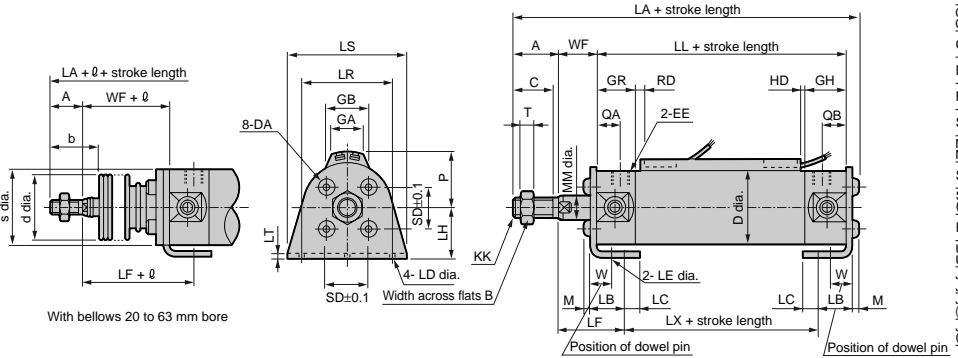
Note 2: Please refer to Page 283 about dimensions of projecting section of 2 color indicator type preventive maintenance output switch.

Symbol	Basic type (00) basic dimensions																				
	A	B	C	D	DA	EE (Note)	J	KK	LL	MA	MB	MC	MD	MM	MN	MO	N	QA	QB	SD	T
20 dia.	18	13	15.5	26	M4 depth 6.5	Rc ¹ /s	12	M8	69	11	11	24	M5	8	6	4	2	12	10	14	5
25 dia.	22	17	19.5	31	M5 depth 6.5	Rc ¹ /s	14	M10 X 1.25	69	11	11	29	M6	10	8	5	2	12	10	20	6
32 dia.	22	17	19.5	38	M5 depth 7.5	Rc ¹ /s	18	M10 X 1.25	71	11	10	36	M8	12	10	5.5	2	12	10	20	6
40 dia.	30	22	27	47	M6 depth 12	Rc ¹ /s	25	M14 X 1.5	78	12	10	44	M10	16	14	6	2	13	12	26	8
50 dia.	35	27	32	58	M8 depth 16	Rc ¹ /4	30	M18 X 1.5	90	13	12	55	M12	20	18	7	2	15	12	32	11
63 dia.	35	27	32	72	M10 depth 16	Rc ¹ /4	32	M18 X 1.5	90	13	12	69	M14	20	18	7	2	15	12	38	11
80 dia.	40	32	37	89	M10 depth 22	Rc ³ /8	40	M22 X 1.5	108	-	-	80	-	25	22	11	3	15	15	50	13
100 dia.	40	41	37	110	M12 depth 22	Rc ¹ /2	50	M26 X 1.5	108	-	-	100	-	30	26	11	3	15	15	60	16

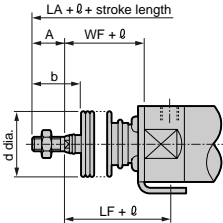
Symbol	Bellows											Air cushioned					With switch				
	WF	X	XF	b	d	s	l	EA	EB	EC	EE*	Eθ	GH	GR	P	GA	GB	T0, T5	T2, T3	T0, T5	T2, T3
20 dia.	17	106	35	30	30	25.7	(Stroke length/3) + 18.5	14	12	27	M5	30°	17	19	19.5	18	23	3.8	6.8	6.7	7.7
25 dia.	18	111	40	35	30	30.7	(Stroke length/3) + 20.5	14	12	29.5	M5	30°	17	19	22	18	24.4	2.8	5.8	7.7	8.7
32 dia.	18	113	40	31.5	35	37.7	(Stroke length/3) + 19	14	12	32.8	Rc ¹ /8	25°	17	19	25.5	18	25	3.8	6.8	8.7	9.7
40 dia.	20	130	50	40	35	46.7	(Stroke length/3) + 18.5	15	13	36.6	Rc ¹ /8	20°	19	20	30	18	25.7	5.8	8.8	10.7	11.7
50 dia.	23	150	58	46	40	57.7	(Stroke length/3.6) + 18.5	18.5	15.5	43	Rc ¹ /4	20°	22	25	35.5	18	26.2	8.3	11.3	12.2	13.2
63 dia.	23	150	58	46	40	71.7	(Stroke length/3.6) + 18.5	18.5	15.5	50	Rc ¹ /4	20°	22	25	42.5	18	26.5	8.3	11.3	12.2	13.2
80 dia.	31	182	71	55	50	88.7	(Stroke length/4.3) + 14.5	20	20	58.5	Rc ³ /8	20°	28	28	51	18	26.7	10.4	13.4	19.1	20.1
100 dia.	31	182	71	56	60	109.7	(Stroke length/4.5) + 21	20	20	69	Rc ¹ /2	20°	28	28	61.5	18	26.7	10.4	13.4	19.1	20.1

Dimensions

• Axial foot type (LB)  (File name: Page 286 or Ending 114)



With bellows 20 to 63 mm bore



With bellows 80, 100 mm bore

Note 1: Needle relevant dimensions and port size of air cushioned types are as same as basic type.

Refer to Page 214. (20 and 25 mm bore cylinders are different from basic type).

Note 2: Please refer to Page 283 about HD, RD dimensions of 2 color indicator type preventive maintenance output switch.

Note 3: Please refer to Page 283 about dimensions of projecting section of 2 color indicator type preventive maintenance output switch.

Symbol	Axial foot type (LB) basic dimensions																					
	A	B	C	D	DA	EE (Note 1)	KK	LA	LB	LC	LD	LE	LF	LH	LL	LR	LS	LT	LX	M	MM	QA
20 dia.	18	13	15.5	26	M4	Rc1/8	M8	109.8	15.1	7.1	5.7	4	28.9	20	69	32	44	3.2	45.2	2.6	8	12
25 dia.	22	17	19.5	31	M5	Rc1/8	M10 X 1.25	115.6	15.1	7.1	5.7	4	29.9	22	69	36	49	3.2	45.2	3.4	10	12
32 dia.	22	17	19.5	38	M5	Rc1/8	M10 X 1.25	117.6	16.1	8.1	6.8	4	30.9	25	71	44	58	3.2	45.2	3.4	12	12
40 dia.	30	22	27	47	M6	Rc1/8	M14 X 1.5	135.2	16.6	9.1	6.8	4	33.4	30	78	54	71	3.2	51.2	4	16	13
50 dia.	35	27	32	58	M8	Rc1/4	M18 X 1.5	157.5	22	11	9	5	40.5	40	90	66	86	4.5	55	5	20	15
63 dia.	35	27	32	72	M10	Rc1/4	M18 X 1.5	157.5	22	13	11	5	40.5	45	90	82	106	4.5	55	5	20	15
80 dia.	40	32	37	89	M10	Rc3/8	M22 X 1.5	189.5	28.5	14	11	6	55	55	108	100	125	4.5	60	6	25	15
100 dia.	40	41	37	110	M12	Rc1/2	M26 X 1.5	192	30	16	14	6	55	65	108	120	150	6	60	7	30	15

Symbol	Bellows										With switch							HD		RD	
	QB	SD	T	W	WF	b	d	s	l		GH	GR	P	GA	GB	T0, T5	T2, T3	T0, T5	T2, T3		
20 dia.	10	14	5	10	17	30	30	25.7	Stroke length(3) + 18.5		17	19	19.5	18	23	3.8	6.8	6.7	7.7		
25 dia.	10	16.5	6	10	18	35	30	30.7	(Stroke length(3) + 20.5)		17	19	22	18	24.4	2.8	5.8	7.7	8.7		
32 dia.	10	20	6	10	18	31.5	35	37.7	(Stroke length(3) + 19)		17	19	25.5	18	25	3.8	6.8	8.7	9.7		
40 dia.	12	26	8	10	20	40	35	46.7	(Stroke length(3) + 18.5)		19	20	30	18	25.7	5.8	8.8	10.7	11.7		
50 dia.	12	32	11	17.5	23	46	40	57.7	(Stroke length(3.6) + 18.5)		22	25	35.5	18	26.2	8.3	11.3	12.2	13.2		
63 dia.	12	38	11	17.5	23	46	40	71.7	(Stroke length(3.6) + 18.5)		22	25	42.5	18	26.5	8.3	11.3	12.2	13.2		
80 dia.	15	50	13	20	31	55	50	—	(Stroke length(4.3) + 14.5)		28	28	51	18	26.7	10.4	13.4	19.1	20.1		
100 dia.	15	60	16	20	31	56	60	—	(Stroke length(4.5) + 21)		28	28	61.5	18	26.7	10.4	13.4	19.1	20.1		

- SCP * 2
- CMK2
- CMA2
- SCM
- SCA2
- SCS
- CKV2
- CAV2/COV * 2
- CAT
- MDC2
- MVC
- SMD2
- MSD/MSDG
- SSD
- SSD (large)
- FC *
- ULKP/ULK
- JSK2/JSK2
- JSC3 (medium)
- JSC3 (large)
- JSB3
- UCAC
- STS/STL
- LCS
- LCY
- STR2
- UCA2
- STK
- USSD
- USC
- MFC
- GLC
- SHC
- CAC3
- HCM
- HCA
- MRL2
- SRL2
- SRG
- SRM
- SRT
- SRB2

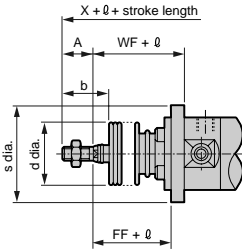
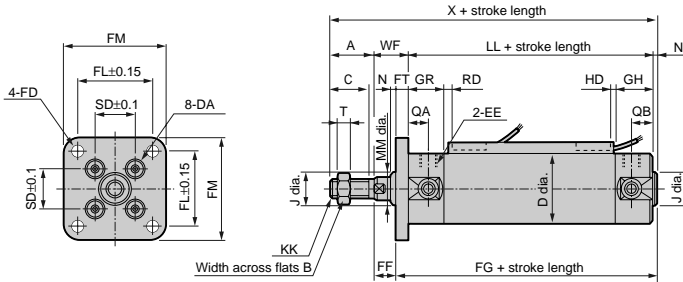
Standard type
Round shaped cylinder

Dimensions

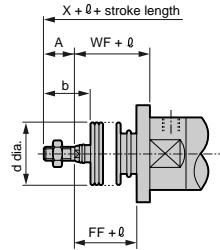
• Rod side flange type (FA)



(File name: Page 286 or Ending 114)



With bellows 20 to 63 mm bore



With bellows 80, 100 mm bore

Note 1: Needle relevant dimensions and port size of air cushioned types are as same as basic type.

Refer to Page 214. (20 and 25 mm bore cylinders are different from basic type).

Note 2: Please refer to Page 283 about HD, RD dimensions of 2 color indicator type preventive maintenance output switch.

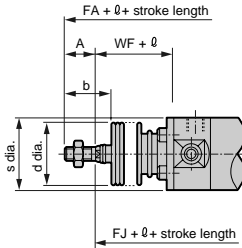
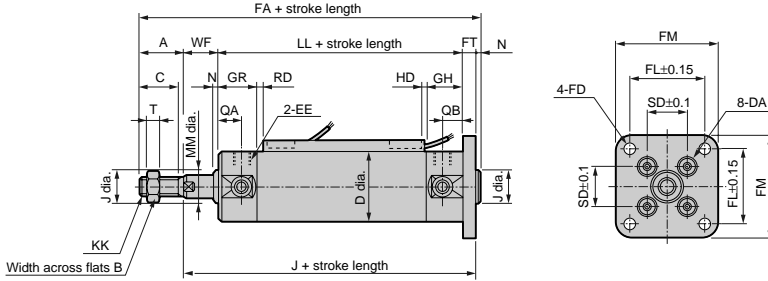
Note 3: Please refer to Page 283 about dimensions of projecting section of 2 color indicator type preventive maintenance output switch.

Symbol	Rod side flange type (FA) basic dimensions																				
Bore size (mm)	A	B	C	D	DA	EE (Note 1)	FD	FF	FG	FL	FM	FT	J	KK	LL	MC	MM	N	QA	QB	SD
20 dia.	18	13	15.5	26	M4	Rc1/8	5.5	11	77	28	40	6	12	M8	69	24	8	2	12	10	14
25 dia.	22	17	19.5	31	M5	Rc1/8	5.5	11	78	32	44	7	14	M10 X 1.25	69	29	10	2	12	10	16.5
32 dia.	22	17	19.5	38	M5	Rc1/8	6.6	11	80	38	53	7	18	M10 X 1.25	71	36	12	2	12	10	20
40 dia.	30	22	27	47	M6	Rc1/8	6.6	12	88	46	61	8	25	M14 X 1.5	78	44	16	2	13	12	26
50 dia.	35	27	32	58	M8	Rc1/4	9	14	101	58	76	9	30	M18 X 1.5	90	55	20	2	15	12	32
63 dia.	35	27	32	72	M10	Rc1/4	11	14	101	70	92	9	32	M18 X 1.5	90	69	20	2	15	12	38
80 dia.	40	32	37	89	M10	Rc3/8	11	20	122	82	104	11	40	M22 X 1.5	108	80	25	3	15	15	50
100 dia.	40	41	37	110	M12	Rc1/2	13	17	125	100	128	14	50	M26 X 1.5	108	100	30	3	15	15	60

Symbol	Bellows							With switch					
	T	WF	X	b	d	s	l	GH	GR	T0, T5	T2, T3	T0, T5	T2, T3
20 dia.	5	17	106	30	30	25.7	(Stroke length/3) + 18.5	17	19	3.8	6.8	6.7	7.7
25 dia.	6	18	111	35	30	30.7	(Stroke length/3) + 20.5	17	19	2.8	5.8	7.7	8.7
32 dia.	6	18	113	31.5	35	37.7	(Stroke length/3) + 19	17	19	3.8	6.8	8.7	9.7
40 dia.	8	20	130	40	35	46.7	(Stroke length/3) + 18.5	19	20	5.8	8.8	10.7	11.7
50 dia.	11	23	150	46	40	57.7	(Stroke length/3.6) + 18.5	22	25	8.3	11.3	12.2	13.2
63 dia.	11	23	150	46	40	71.7	(Stroke length/3.6) + 18.5	22	25	8.3	11.3	12.2	13.2
80 dia.	13	31	182	55	50	—	(Stroke length/4.3) + 14.5	28	28	10.4	13.4	19.1	20.1
100 dia.	16	31	182	56	60	—	(Stroke length/4.5) + 21	28	28	10.4	13.4	19.1	20.1

Dimensions

• Head side flange type (FB)  (File name: Page 286 or Ending 114)



Bellows

Note 1: Needle relevant dimensions and port size of air cushioned types are as same as basic type.

Refer to Page 214. (20 and 25 mm bore cylinders are different from basic type).

Note 2: Please refer to Page 283 about HD, RD dimensions of 2 color indicator type preventive maintenance output switch.

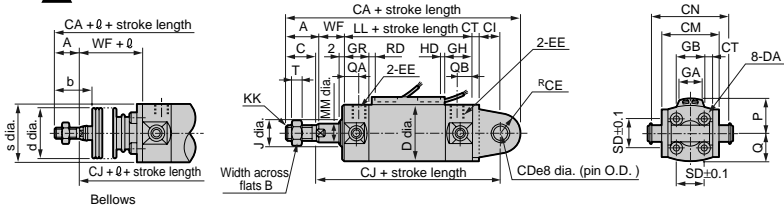
Note 3: Please refer to Page 283 about dimensions of projecting section of 2 color indicator type preventive maintenance output switch.

Symbol	Head side flange type (FB) basic dimensions																				
	A	B	C	D	DA	EE (Note 1)	FA	FD	FJ	FL	FM	FT	J	KK	LL	MC	MM	N	QA	QB	SD
20 dia.	18	13	15.5	26	M4	Rc ¹ / ₈	112	5.5	92	28	40	6	12	M8	69	24	8	2	12	10	14
25 dia.	22	17	19.5	31	M5	Rc ¹ / ₈	118	5.5	94	32	44	7	14	M10 X 1.25	69	29	10	2	12	10	16.5
32 dia.	22	17	19.5	38	M5	Rc ¹ / ₈	120	6.6	96	38	53	7	18	M10 X 1.25	71	36	12	2	12	10	20
40 dia.	30	22	27	47	M6	Rc ¹ / ₈	138	6.6	106	46	61	8	25	M14 X 1.5	78	44	16	2	13	12	26
50 dia.	35	27	32	58	M8	Rc ¹ / ₄	159	9	122	58	76	9	30	M18 X 1.5	90	55	20	2	15	12	32
63 dia.	35	27	32	72	M10	Rc ¹ / ₄	159	11	122	70	92	9	32	M18 X 1.5	90	69	20	2	15	12	38
80 dia.	40	32	37	89	M10	Rc ³ / ₈	193	11	150	82	104	11	40	M22 X 1.5	108	80	25	3	15	15	50
100 dia.	40	41	37	110	M12	Rc ¹ / ₂	196	13	153	100	128	14	50	M26 X 1.5	108	100	30	3	15	15	60
Symbol	Bellows										With switch			HD	RD						
	T	WF	b	d	S	l	GH	GR	T0, T3	T2, T3	T0, T3	T2, T3									
20 dia.	5	17	30	30	25.7	(Stroke length/3) + 18.5	17	19	3.8	6.8	6.7	7.7									
25 dia.	6	18	35	30	30.7	(Stroke length/3) + 20.5	17	19	2.8	5.8	7.7	8.7									
32 dia.	6	18	31.5	35	37.7	(Stroke length/3) + 19	17	19	3.8	6.8	8.7	9.7									
40 dia.	8	20	40	35	46.7	(Stroke length/3) + 18.5	19	20	5.8	8.8	10.7	11.7									
50 dia.	11	23	46	40	57.7	(Stroke length/3.6) + 18.5	22	25	8.3	11.3	12.2	13.2									
63 dia.	11	23	46	40	71.7	(Stroke length/3.6) + 18.5	22	25	8.3	11.3	12.2	13.2									
80 dia.	13	31	55	50	88.7	(Stroke length/4.3) + 14.5	28	28	10.4	13.4	19.1	20.1									
100 dia.	16	31	56	60	109.7	(Stroke length/4.5) + 21	28	28	10.4	13.4	19.1	20.1									

SCP * 2
CMK2
CMA2
SCM
SCA2
SCS
CKV2
CAV2/
COV * 2
CAT
MDC2
MVC
SMD2
MSD/
MSDG
SSD
SSD
(large)
FC *
ULKP/
ULK
JSK2/
JSM2
JSC3
(medium)
JSC3
(large)
JSB3
UCAC
STS/
STL
LCS
LCY
STR2
UCA2
STK
USSD
USC
MFC
GLC
SHC
CAC3
HCM
HCA
MRL2
SRL2
SRG
SRM
SRT
SRB2
Standard type
Round shaped cylinder

Dimensions (20 to 63 mm bore)

• Eye bracket (CA) **CAD** (File name: Page 286 or Ending 114)



Note 1: Needle relevant dimensions and port size of air cushioned types are as same as basic type.

Refer to Page 214. (20 and 25 mm bore cylinders are different from basic type).

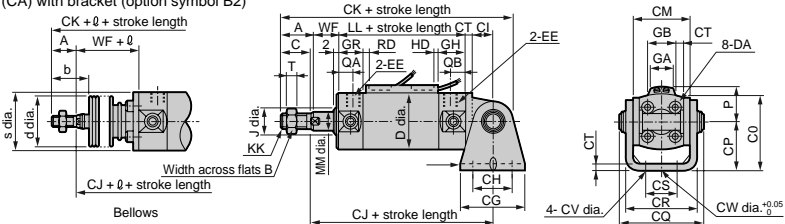
Note 2: Please refer to Page 283 about HD, RD dimensions of 2 color indicator type preventive maintenance output switch.

Note 3: Please refer to Page 283 about dimensions of projecting section of 2 color indicator type preventive maintenance output switch.

Symbol	Eye bracket (CA) basic dimensions																	
Bore size (mm)	A	B	C	CA	CD	CE	CT	CI	CJ	CM	CN	D	DA	EE (Note 1)	J	KK	LL	MM
20 dia.	18	13	15.5	129	8 ^{+0.025} _{-0.047}	11	3.2	10.8	100	29	38.6	26	M4	Rc1/8	12	M8	69	8
25 dia.	22	17	19.5	138	10 ^{+0.035} _{-0.047}	13	3.2	12.8	103	33	42.6	31	M5	Rc1/8	14	M10 X 1.25	69	10
32 dia.	22	17	19.5	146	12 ^{+0.032} _{-0.059}	15	4.5	15.5	109	40	54	38	M5	Rc1/8	18	M10 X 1.25	71	12
40 dia.	30	22	27	168	14 ^{+0.032} _{-0.059}	18	4.5	17.5	120	49	65	47	M6	Rc1/8	25	M14 X 1.5	78	16
50 dia.	35	27	32	193	16 ^{+0.032} _{-0.059}	20	6	19	138	60	79.6	58	M8	Rc1/8	30	M18 X 1.5	90	20
63 dia.	35	27	32	200	18 ^{+0.032} _{-0.059}	22	8	22	143	74	97.8	72	M10	Rc1/8	32	M18 X 1.5	90	20

Symbol	Eye bracket (CA) with bracket (option symbol B2) basic dimensions																		
Bore size (mm)	Q	QA	QB	SD	T	WF	b	d	s	ℓ	GH	GR	P	GA	GB	HD	RD		
																T _{0, T5}	T _{2, T3}	T _{0, T5}	T _{2, T3}
20 dia.	13	12	10	14	5	17	30	30	25.7	(Stroke length/3) + 18.5	17	19	19.5	18	23	3.8	6.8	6.7	7.7
25 dia.	15.5	12	10	16.5	6	18	35	30	30.7	(Stroke length/3) + 20.5	17	19	22	18	24.4	2.8	5.8	7.7	8.7
32 dia.	19	12	10	20	6	18	31.5	35	37.7	(Stroke length/3) + 19	17	19	25.5	18	25	3.8	6.8	8.7	9.7
40 dia.	23.5	13	12	26	8	20	40	35	46.7	(Stroke length/3) + 18.5	19	20	30	18	25.7	5.8	8.8	10.7	11.7
50 dia.	29	15	12	32	11	23	46	40	57.7	(Stroke length/3.6) + 18.5	22	25	35.5	18	26.2	8.3	11.3	12.2	13.2
63 dia.	36	15	12	38	11	23	46	40	71.7	(Stroke length/3.6) + 18.5	22	25	42.5	18	26.5	8.3	11.3	12.2	13.2

• Eye bracket (CA) with bracket (option symbol B2)



Note 1: Needle relevant dimensions and port size of air cushioned types are as same as basic type.

Refer to Page 214. (20 and 25 mm bore cylinders are different from basic type).

Note 2: Please refer to Page 283 about HD, RD dimensions of 2 color indicator type preventive maintenance output switch.

Note 3: Please refer to Page 283 about dimensions of projecting section of 2 color indicator type preventive maintenance output switch.

Symbol	Eye bracket (CA) with bracket (option symbol B2) basic dimensions																				
Bore size (mm)	A	B	C	CG	CH	CI	CJ	CK	CM	CO	CP	CQ	CR	CS	CT	CV	CW	D	DA	EE (Note 1)	J
20 dia.	18	13	15.5	42	28	10.8	100	139	29	38	25	43.4	35.8	16	3.2	5.5	10	26	M4	Rc1/8	12
25 dia.	22	17	19.5	42	28	12.8	103	146	33	45.5	30	48	39.8	20	3.2	5.5	10	31	M5	Rc1/8	14
32 dia.	22	17	19.5	48	28	15.5	109	155	40	54	35	59.4	49.4	22	4.5	6.6	10	38	M5	Rc1/8	18
40 dia.	30	22	27	56	30	17.5	120	178	49	63.5	40	71.4	58.4	30	4.5	6.6	10	47	M6	Rc1/8	25
50 dia.	35	27	32	64	36	19	138	205	60	79	50	86	72.4	36	6	9	20	58	M8	Rc1/8	30
63 dia.	35	27	32	74	46	22	143	215	74	96	60	105.4	90.4	46	8	11	20	72	M10	Rc1/8	32

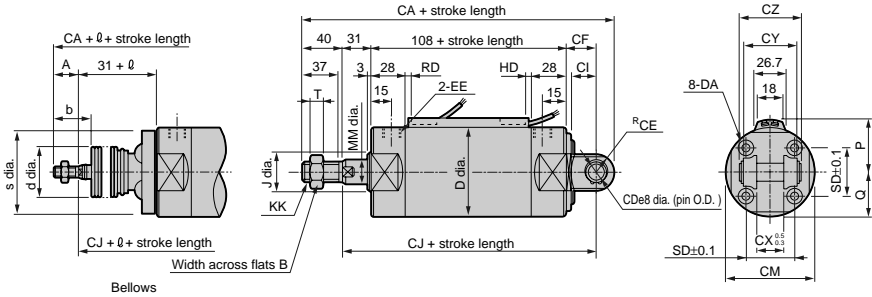
Symbol	Eye bracket (CA) with bracket (option symbol B2) basic dimensions																			
Bore size (mm)	KK	LL	MM	QA	QB	T	WF	b	d	s	ℓ	GH	GR	P	GA	GB	HD	RD		
																	T _{0, T5}	T _{2, T3}	T _{0, T5}	T _{2, T3}
20 dia.	M8	69	8	12	10	5	17	30	30	25.7	(Stroke length/3) + 18.5	17	19	19.5	18	23	3.8	6.8	6.7	7.7
25 dia.	M10 X 1.25	69	10	12	10	6	18	35	30	30.7	(Stroke length/3) + 20.5	17	19	22	18	24.4	2.8	5.8	7.7	8.7
32 dia.	M10 X 1.25	71	12	10	6	18	31.5	35	37.7	(Stroke length/3) + 19	17	19	25.5	18	25	3.8	6.8	8.7	9.7	
40 dia.	M14 X 1.5	78	16	13	12	8	20	40	35	46.7	(Stroke length/3) + 18.5	19	20	30	18	25.7	5.8	8.8	10.7	11.7
50 dia.	M18 X 1.5	90	20	15	12	11	23	46	40	57.7	(Stroke length/3.6) + 18.5	22	25	35.5	18	26.2	8.3	11.3	12.2	13.2
63 dia.	M18 X 1.5	90	20	15	12	11	23	46	40	71.7	(Stroke length/3.6) + 18.5	22	25	42.5	18	26.5	8.3	11.3	12.2	13.2

Dimensions (80, 100 mm bore)

• Clevis bracket (CB)



(File name: Page 286 or Ending 114)



Note 1: Needle relevant dimensions and port size of air cushioned types are as same as basic type. Refer to Page 214.

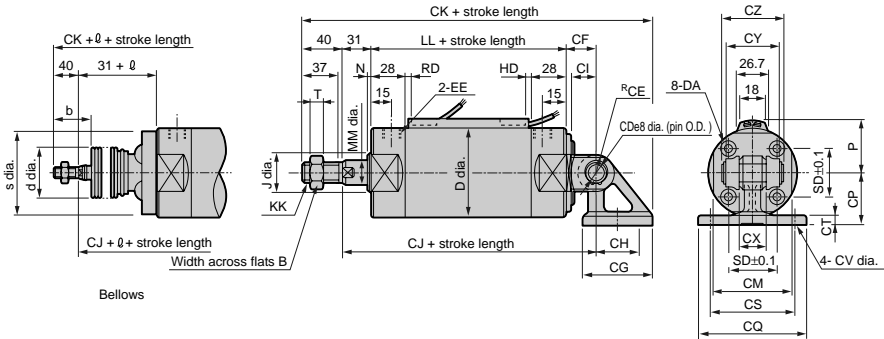
Note 2: Please refer to Page 283 about HD, RD dimensions of 2 color indicator type preventive maintenance output switch.

Note 3: Please refer to Page 283 about dimensions of projecting section of 2 color indicator type preventive maintenance output switch.

Symbol	Clevis bracket (CB) basic dimensions														J	KK	MM	Q	SD	T
Bore size (mm)	B	CA	CD	CE	CF	CI	CJ	CM	CX	CY	CZ	D	DA	EE (Note 1)	J	KK	MM	Q	SD	T
80 dia.	32	232	18 ^{+0.032} _{-0.059}	18	35	25	174	80	28	56	64	89	M10	Rc ³ / ₈	40	M22 X 1.5	25	44.5	50	13
100 dia.	41	244	22 ^{+0.040} _{-0.073}	22	43	31	182	100	32	64	72	110	M12	Rc ¹ / ₂	50	M26 X 1.5	30	55	60	16

Symbol	Bellows				With switch		HD	RD	
	b	d	s	ℓ	P	T ₀ , T ₅	T ₂ , T ₃	T ₀ , T ₅	T ₂ , T ₃
Bore size (mm)									
80 dia.	55	50	88.7	(Stroke length/4.3) + 14.5	51	10.4	13.4	19.1	20.1
100 dia.	56	60	109.7	(Stroke length/4.5) + 21	61.5	10.4	13.4	19.1	20.1

• Clevis bracket (CB) with bracket (option symbol B1)



Note 1: Needle relevant dimensions and port size of air cushioned types are as same as basic type. Refer to Page 214.

Note 2: Please refer to Page 283 about HD, RD dimensions of 2 color indicator type preventive maintenance output switch.

Note 3: Please refer to Page 283 about dimensions of projecting section of 2 color indicator type preventive maintenance output switch.

Symbol	Clevis bracket (CB) with bracket (option symbol B1) basic dimensions														J								
Bore size (mm)	B	CA	CD	CE	CF	CG	CH	CI	CJ	CK	CM	CP	CQ	CS	CT	CV	CX	CY	CZ	D	DA	EE (Note 1)	J
80 dia.	32	18	18 ^{+0.032} _{-0.059}	18	35	72	45	25	174	272.5	80	55	110	85	11	11	28	56	64	89	M10	Rc ³ / ₈	40
100 dia.	41	22	22 ^{+0.040} _{-0.073}	22	43	93	60	31	182	298.5	100	65	130	100	12	13.5	32	64	72	100	M12	Rc ¹ / ₂	50

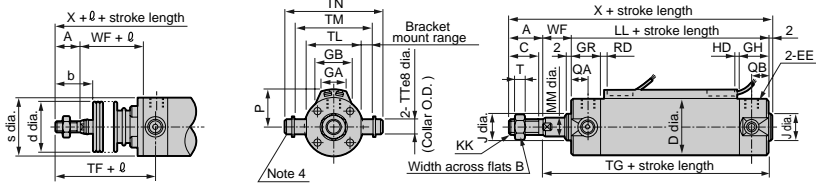
Symbol	Bellows				With switch		HD	RD							
	KK	LL	MM	N	SD	T	b	d	s	ℓ	P	T ₀ , T ₅	T ₂ , T ₃	T ₀ , T ₅	T ₂ , T ₃
Bore size (mm)															
80 dia.	M22 X 1.5	108	25	3	50	13	55	50	88.7	(Stroke length/4.3) + 14.5	51	10.4	13.4	19.1	20.1
100 dia.	M26 X 1.5	108	30	3	60	16	56	60	109.7	(Stroke length/4.5) + 21	61.5	10.4	13.4	19.1	20.1

- SCP * 2
- CMK2
- CMA2
- SCM
- SCA2
- SCS
- CKV2
- CAV2/COV * 2
- CAT
- MDC2
- MVC
- SMD2
- MSD/MSDG
- SSD
- SSD (large)
- FC *
- ULKP/ULK
- JSK2/JSK2
- JSC3 (medium)
- JSC3 (large)
- JSB3
- UCAC
- ST/STL
- LCS
- LCY
- STR2
- UCA2
- STK
- USSD
- USC
- MFC
- GLC
- SHC
- CAC3
- HCM
- HCA
- MRL2
- SRL2
- SRG
- SRM
- SRT
- SRB2

Standard type
Round shaped cylinder

Dimensions (20 to 63 mm bore)

- Rod side trunnion type (TA)  (File name: Page 286 or Ending 114)



Bellows

Note 1: Needle relevant dimensions and port size of air cushioned types are as same as basic type.

Refer to Page 214. (20 and 25 mm bore cylinders are different from basic type).

Note 2: Please refer to Page 283 about HD, RD dimensions of 2 color indicator type preventive maintenance output switch.

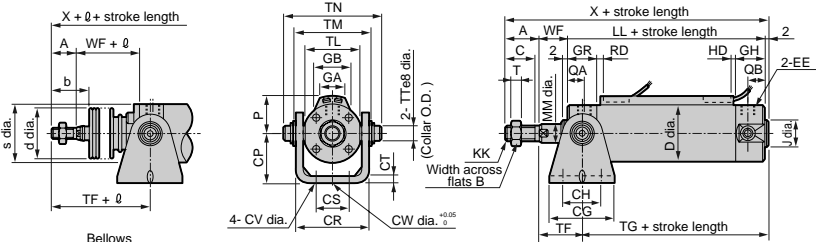
Note 3: Please refer to Page 283 about dimensions of projecting section of 2 color indicator type preventive maintenance output switch.

Note 4: Structured with collar/plain washer/hexagon socket head cap screw.

Symbol	Rod side trunnion type (TA) basic dimensions																
Bore size (mm)	A	B	C	D	EE (Note 1)	J	KK	LL	MM	QA	QB	T	TF	TG	TL	TM	TN
20 dia.	18	13	15.5	26	Rc $\frac{1}{8}$	12	M8	69	8	12	10	5	28	60	28	39	47.6
25 dia.	22	17	19.5	31	Rc $\frac{1}{4}$	14	M10 X 1.25	69	10	12	10	6	29	60	33	43	53
32 dia.	22	17	19.5	38	Rc $\frac{1}{4}$	18	M10 X 1.25	71	12	12	10	6	29	62	40	54.5	67.7
40 dia.	30	22	27	47	Rc $\frac{1}{2}$	25	M14 X 1.5	78	16	13	12	8	32	68	49	65.9	81.1
50 dia.	35	27	32	58	Rc $\frac{1}{4}$	30	M18 X 1.5	90	20	15	12	11	36	79	60	80	98.6
63 dia.	35	27	32	72	Rc $\frac{1}{4}$	32	M18 X 1.5	90	20	15	12	11	36	79	74	98	119.2

Symbol	Bellows										With switch								
Bore size (mm)	TT	WF	X	b	d	s	ℓ				GH	GR	P	GA	GB	HD		RD	
							(Stroke length/3) + 18.5									T0, T5	T2, T3	T0, T5	T2, T3
20 dia.	8 ^{+0.025} _{-0.047}	17	106	30	30	25.7	(Stroke length/3) + 18.5				17	19	19.5	18	23	3.8	6.8	6.7	7.7
25 dia.	10 ^{+0.025} _{-0.047}	18	111	35	30	30.7	(Stroke length/3) + 20.5				17	19	22	18	24.4	2.8	5.8	7.7	8.7
32 dia.	12 ^{+0.032} _{-0.059}	18	113	31.5	35	37.7	(Stroke length/3) + 19				17	19	25.5	18	25	3.8	6.8	8.7	9.7
40 dia.	14 ^{+0.032} _{-0.059}	20	130	40	35	46.7	(Stroke length/3) + 18.5				19	20	30	18	25.7	5.8	8.8	10.7	11.7
50 dia.	16 ^{+0.032} _{-0.059}	23	150	46	40	57.7	(Stroke length/3.6) + 18.5				22	25	35.5	18	26.2	8.3	11.3	12.2	13.2
63 dia.	18 ^{+0.032} _{-0.059}	23	150	46	40	71.7	(Stroke length/3.6) + 18.5				22	25	42.5	18	26.5	8.3	11.3	12.2	13.2

- Rod side trunnion type (TA) with bracket (option symbol B2)



Bellows

Note 1: Needle relevant dimensions and port size of air cushioned types are as same as basic type.

Refer to Page 214. (20 and 25 mm bore cylinders are different from basic type).

Note 2: Please refer to Page 283 about HD, RD dimensions of 2 color indicator type preventive maintenance output switch.

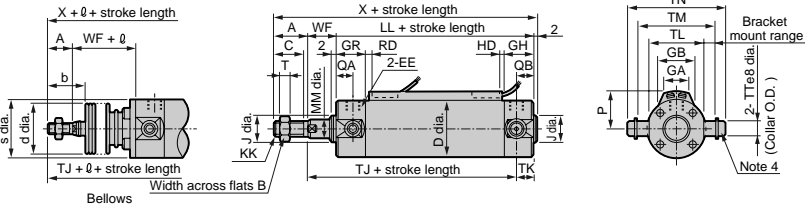
Note 3: Please refer to Page 283 about dimensions of projecting section of 2 color indicator type preventive maintenance output switch.

Symbol	Rod side trunnion type (TA) with bracket (option symbol B2) basic dimensions																					
Bore size (mm)	A	B	C	CG	CH	CP	CR	CS	CT	CV	CW	D	EE (Note 1)	J	KK	LL	MM	QA	QB	T	TF	TG
20 dia.	18	13	15.5	42	28	25	35.8	16	3.2	5.5	10	26	Rc $\frac{1}{8}$	12	M8	69	8	12	10	5	28	60
25 dia.	22	17	19.5	42	28	30	39.8	20	3.2	5.5	10	31	Rc $\frac{1}{4}$	14	M10 X 1.25	69	10	12	10	6	29	60
32 dia.	22	17	19.5	48	28	35	49.4	22	4.5	6.6	10	38	Rc $\frac{1}{8}$	18	M10 X 1.25	71	12	12	10	6	29	62
40 dia.	30	22	27	56	30	40	58.4	30	4.5	6.6	10	47	Rc $\frac{1}{8}$	25	M14 X 1.5	78	16	13	12	8	32	68
50 dia.	35	27	32	64	36	50	72.4	36	6	9	20	58	Rc $\frac{1}{4}$	30	M18 X 1.5	90	20	15	12	11	36	79
63 dia.	35	27	32	74	46	60	90.4	46	8	11	20	72	Rc $\frac{1}{4}$	32	M18 X 1.5	90	20	15	12	11	36	79

Symbol	Bellows										With switch											
Bore size (mm)	TL	TM	TN	TT	WF	X	b	d	s	ℓ				GH	GR	P	GA	GB	HD		RD	
										(Stroke length/3) + 18.5									T0, T5	T2, T3	T0, T5	T2, T3
20 dia.	28	39	47.6	8 ^{+0.025} _{-0.047}	17	106	30	30	25.7	(Stroke length/3) + 18.5				17	19	19.5	18	23	3.8	6.8	6.7	7.7
25 dia.	33	43	53	10 ^{+0.025} _{-0.047}	18	111	35	30	30.7	(Stroke length/3) + 20.5				17	19	22	18	24.4	2.8	5.8	7.7	8.7
32 dia.	40	54.5	67.7	12 ^{+0.032} _{-0.059}	18	113	31.5	35	37.7	(Stroke length/3) + 19				17	19	25.5	18	25	3.8	6.8	8.7	9.7
40 dia.	49	65.9	81.1	14 ^{+0.032} _{-0.059}	20	130	40	35	46.7	(Stroke length/3) + 18.5				19	20	30	18	25.7	5.8	8.8	10.7	11.7
50 dia.	60	80	98.6	16 ^{+0.032} _{-0.059}	23	150	46	40	57.7	(Stroke length/3.6) + 18.5				22	25	35.5	18	26.2	8.3	11.3	12.2	13.2
63 dia.	74	98	119.2	18 ^{+0.032} _{-0.059}	23	150	46	40	71.7	(Stroke length/3.6) + 18.5				22	25	42.5	18	26.5	8.3	11.3	12.2	13.2

Dimensions

- Head side trunnion type (TB)  (File name: Page 286 or Ending 114)



Note 1: Needle relevant dimensions and port size of air cushioned types are as same as basic type.
Refer to Page 214. (20 and 25 mm bore cylinders are different from basic type.)

Note 2: Please refer to Page 283 about HD, RD dimensions of 2 color indicator type preventive maintenance output switch.

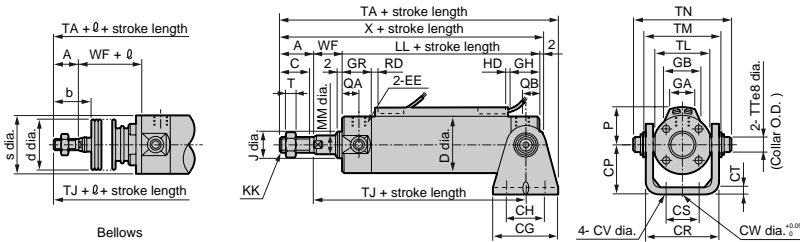
Note 3: Please refer to Page 283 about dimensions of projecting section of 2 color indicator type preventive maintenance output switch.

Note 4: Structured with collar/plain washer/hexagon socket head cap screw.

Symbol	Head side trunnion type (TB) basic dimensions																		
Bore size (mm)	A	B	C	D	EE (Note 1)	J	KK	LL	MM	QA	QB	T	TJ	TK	TL	TM	TN	TT	WF
20 dia.	18	13	15.5	26	Rc $\frac{1}{8}$	12	M8	69	8	12	10	5	75	13	28	39	47.6	8 $^{+0.025}_{-0.047}$	17
25 dia.	22	17	19.5	31	Rc $\frac{1}{8}$	14	M10 X 1.25	69	10	12	10	6	76	13	33	43	53	10 $^{+0.025}_{-0.047}$	18
32 dia.	22	17	19.5	38	Rc $\frac{1}{8}$	18	M10 X 1.25	71	12	12	10	6	79	12	40	54.5	67.7	12 $^{+0.032}_{-0.051}$	18
40 dia.	30	22	27	47	Rc $\frac{1}{4}$	25	M14 X 1.5	78	16	13	12	8	88	12	49	65.9	81.1	14 $^{+0.032}_{-0.051}$	20
50 dia.	35	27	32	58	Rc $\frac{1}{4}$	30	M18 X 1.5	90	20	15	12	11	101	14	60	80	98.6	16 $^{+0.032}_{-0.051}$	23
63 dia.	35	27	32	72	Rc $\frac{1}{4}$	32	M18 X 1.5	90	20	15	12	11	101	14	74	98	119.2	18 $^{+0.032}_{-0.051}$	23

Symbol	Bellows				With switch				HD				RD				
Bore size (mm)	X	b	d	s	GH	GR	P	GA	GB	T0	T5	T2	T3	T0	T5	T2	T3
20 dia.	106	21	30	25.7	(Stroke length/3) + 18.5	17	19	19.5	18	23	3.8	6.8	6.7	7.7			
25 dia.	111	26	30	30.7	(Stroke length/3) + 20.5	17	19	22	18	24.4	2.8	5.8	7.7	8.7			
32 dia.	113	24.5	35	37.7	(Stroke length/3) + 19	17	19	25.5	18	25	3.8	6.8	8.7	9.7			
40 dia.	130	33	35	46.7	(Stroke length/3) + 18.5	19	20	30	18	25.7	5.8	8.8	10.7	11.7			
50 dia.	150	39	40	57.7	(Stroke length/3.6) + 18.5	22	25	35.5	18	26.2	8.3	11.3	12.2	13.2			
63 dia.	150	39	40	71.7	(Stroke length/3.6) + 18.5	22	25	42.5	18	26.5	8.3	11.3	12.2	13.2			

- Head side trunnion type (TB) with bracket (option symbol B2)



Note 1: Needle relevant dimensions and port size of air cushioned types are as same as basic type.
Refer to Page 214. (20 and 25 mm bore cylinders are different from basic type.)

Note 2: Please refer to Page 283 about HD, RD dimensions of 2 color indicator type preventive maintenance output switch.

Note 3: Please refer to Page 283 about dimensions of projecting section of 2 color indicator type preventive maintenance output switch.

Symbol	Head side trunnion type (TB) with bracket (option symbol B2) basic dimensions																				
Bore size (mm)	A	B	C	CG	CH	CP	CR	CS	CT	CV	CW	D	EE (Note 1)	J	KK	LL	MM	QA	QB	T	TA
20 dia.	18	13	15.5	42	28	25	35.4	16	3.2	5.5	10	26	Rc $\frac{1}{8}$	12	M8	69	8	12	10	5	114
25 dia.	22	17	19.5	42	28	30	39.4	20	3.2	5.5	10	31	Rc $\frac{1}{8}$	14	M10 X 1.25	69	10	12	10	6	119
32 dia.	22	17	19.5	48	28	35	49	22	4.5	6.6	10	38	Rc $\frac{1}{8}$	18	M10 X 1.25	71	12	12	10	6	125
40 dia.	30	22	27	56	30	40	58	30	4.5	6.6	10	47	Rc $\frac{1}{8}$	25	M14 X 1.5	78	16	13	12	8	146
50 dia.	35	27	32	64	36	50	72	36	6	9	20	58	Rc $\frac{1}{4}$	30	M18 X 1.5	90	20	15	12	11	168
63 dia.	35	27	32	74	46	60	90	46	8	11	20	72	Rc $\frac{1}{4}$	32	M18 X 1.5	90	20	15	12	11	173

Symbol	Bellows				With switch				HD				RD										
Bore size (mm)	TJ	TL	TM	TN	TT	WF	X	b	d	s	GH	GR	P	GA	GB	T0	T5	T2	T3	T0	T5	T2	T3
20 dia.	75	28	39	47.6	8 $^{+0.025}_{-0.047}$	17	106	21	30	25.7	17	19	19.5	18	23	3.8	6.8	6.7	7.7				
25 dia.	76	33	43	53	10 $^{+0.025}_{-0.047}$	18	111	26	30	30.7	17	19	22	18	24.4	2.8	5.8	7.7	8.7				
32 dia.	79	40	54.5	67.7	12 $^{+0.032}_{-0.051}$	18	113	24.5	35	37.7	17	19	25	18	25	3.8	6.8	8.7	9.7				
40 dia.	88	49	65.9	81.1	14 $^{+0.032}_{-0.051}$	20	130	33	35	46.7	19	20	30	18	25.7	5.8	8.8	10.7	11.7				
50 dia.	101	60	80	98.6	16 $^{+0.032}_{-0.051}$	23	150	39	40	57.7	22	25	35.5	18	26.2	8.3	11.3	12.2	13.2				
63 dia.	101	74	98	119.2	18 $^{+0.032}_{-0.051}$	23	150	39	40	71.7	22	25	42.5	18	26.5	8.3	11.3	12.2	13.2				

- SCP * 2
- CMK2
- CMA2
- SCM
- SCA2
- SCS
- CKV2
- CAV2/COV * 2
- CAT
- MDC2
- MVC
- SMD2
- MSD/MSGD
- SSD
- SSD (large)
- FC *
- ULKP/ULK
- JSK2/JSM2
- JSC3 (medium)
- JSC3 (large)
- JSB3
- UCAC
- STS/STL
- LCS
- LCY
- STR2
- UCA2
- STK
- USSD
- USC
- MFC
- GLC
- SHC
- CAC3
- HCM
- HCA
- MRL2
- SRL2
- SRG
- SRT
- SRB2

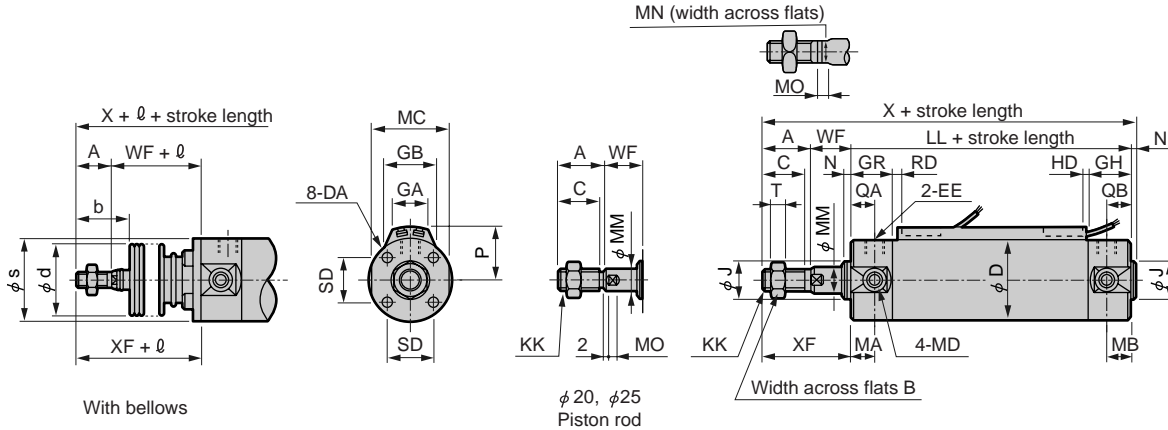
Standard type
Round shaped cylinder



Dimensions

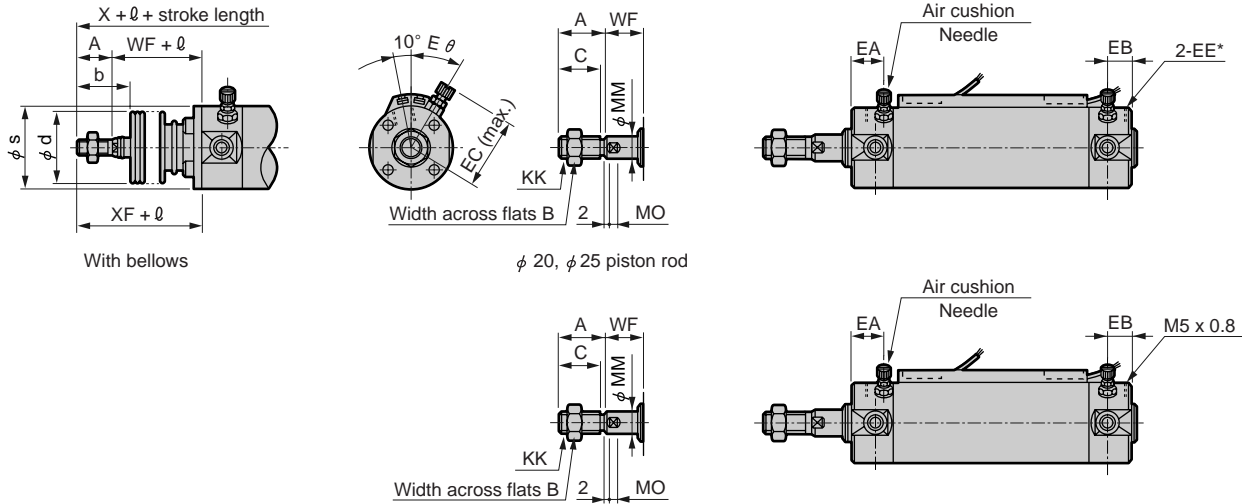
● Basic type (00) $\phi 20$ to $\phi 100$
 <Rubber cushioned>

· Switch installation method: rail method



<Air cushioned>

(Note): For 20, 25 mm bore cylinder, piping method (EE) are different. · Switch installation method: rail method
 Refer to air cushioned dimensions table (EE*).



Note 1: Refer to the page 333 for the RD, HD, and projecting dimensions of the 2-color indicator type, preventive maintenance output type, off delay type, strong magnetic field proof type, T1H/V, T8H/V switch.

Note 2: Refer to page 334 and 335 for accessory dimensions.

Symbol	Basic type (00) basic dimensions																					
	A	B	C	D	DA	EE (note)	GH	GR	J	KK	LL	MA	MB	MC	MD	MM	MN	MO	N	QA	QB	
SM-25	$\phi 20$	18	13	15.5	26	M4 depth 6.5	Rc1/8	17	19	12	M8	69	11	11	24	M5	8	6	4	2	12	10
CAC3	$\phi 25$	22	17	19.5	31	M5 depth 6.5	Rc1/8	17	19	14	M10 x 1.25	69	11	11	29	M6	10	8	5	2	12	10
UCAC	$\phi 32$	22	17	19.5	38	M5 depth 7.5	Rc1/8	17	19	18	M10 x 1.25	71	11	10	36	M8	12	10	5.5	2	12	10
RCC2	$\phi 40$	30	22	27	47	M6 depth 12	Rc1/8	19	20	25	M14 x 1.5	78	12	10	44	M10	16	14	6	2	13	12
MFC	$\phi 50$	35	27	32	58	M8 depth 16	Rc1/4	22	25	30	M18 x 1.5	90	13	12	55	M12	20	17	8	2	15	12
SHC	$\phi 63$	35	27	32	72	M10 depth 16	Rc1/4	22	25	32	M18 x 1.5	90	13	12	69	M14	20	17	8	2	15	12
GLC	$\phi 80$	40	32	37	89	M10 depth 22	Rc3/8	28	28	40	M22 x 1.5	108	-	-	80	-	25	22	11	3	15	15
Ending	$\phi 100$	40	41	37	110	M12 depth 22	Rc1/2	28	28	50	M26 x 1.5	108	-	-	100	-	30	27	13	3	15	15

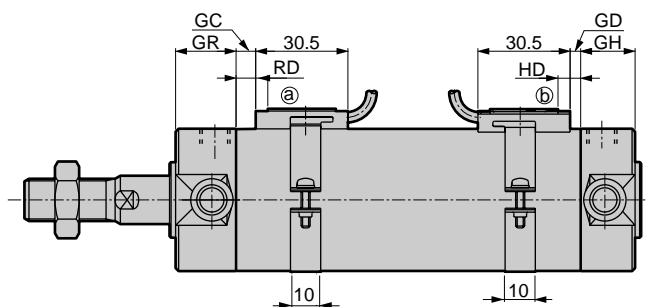
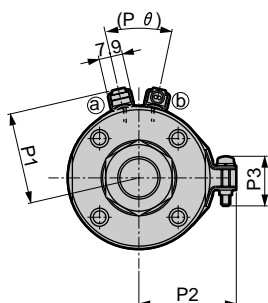
Symbol	With bellows										Air cushioned					Switch installation method: rail method						
	SD	T	WF	X	XF	b	d	s	l		EA	EB	EC	EE*	E θ	P	GA	GB	HD		RD	
									(stroke length/3) + 18.5										T0, T5	T2, T3	T0, T5	T2, T3
$\phi 20$	14	5	17	106	35	30	30	25.7	(stroke length/3) + 18.5		14	12	27	M5	30°	19.5	18	23	4.0	7.0	7.0	7.5
$\phi 25$	16.5	6	18	111	40	35	30	30.7	(stroke length/3) + 20.5		14	12	29.5	M5	30°	22	18	24.4	3.0	6.0	8.0	8.5
$\phi 32$	20	6	18	113	40	31.5	35	37.7	(stroke length/3) + 19		14	12	32.8	Rc1/8	25°	25.5	18	25	4.0	7.0	9.0	9.5
$\phi 40$	26	8	20	130	50	40	35	46.7	(stroke length/3) + 18.5		15	13	36.6	Rc1/8	20°	30	18	25.7	6.0	9.0	11.0	11.5
$\phi 50$	32	11	23	150	58	46	40	57.7	(stroke length/3.6) + 18.5		18.5	15.5	43	Rc1/4	20°	35.5	18	26.2	8.0	11.5	12.0	13.0
$\phi 63$	38	11	23	150	58	46	40	71.7	(stroke length/3.6) + 18.5		18.5	15.5	50	Rc1/4	20°	42.5	18	26.5	8.0	11.5	12.0	13.0
$\phi 80$	50	13	31	182	71	55	50	88.7	(stroke length/4.3) + 14.5		20	20	58.5	Rc3/8	20°	51	18	26.7	10.5	13.0	19.0	20.0
$\phi 100$	60	16	31	182	71	56	60	109.7	(stroke length/4.5) + 21		20	20	69	Rc1/2	20°	61.5	18	26.7	11.0	13.5	18.5	19.5

Dimensions



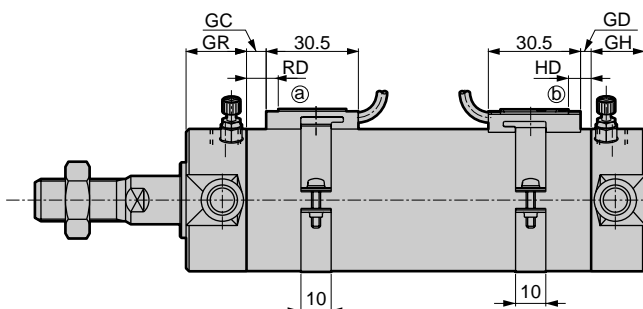
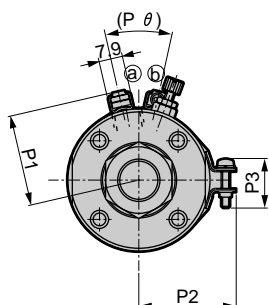
● Basic type (00) ϕ 20 to ϕ 100
<Rubber cushioned>

· Switch installation method: band method



<Air cushioned>

· Switch installation method: band method



Note 1: Refer to the page 333 for the RD, HD, and projecting dimensions of the 2-color indicator type, preventive maintenance output type, off delay type, strong magnetic field proof type, T1H/V, T8H/V switch.

Note 2: Refer to page 334 and 335 for accessory dimensions.

Symbol	Switch installation method: band method										
	GD		GC	GH	GR	HD		RD	P1	P2	P θ
	T0, T2, T3, T5					T0, T2, T3, T5					
ϕ 20	3.5	2.5	17	19	7.5	6.5	19.6	21.5	(38°)		
ϕ 25	4.5	1.5	17	19	8.5	5.5	22.1	23.9	(34°)		
ϕ 32	5.5	2.5	17	19	9.5	6.5	25.6	27.6	(30°)		
ϕ 40	7.5	4.5	19	20	11.5	8.5	30.2	32.1	(26°)		
ϕ 50	9.0	7.0	22	25	13.0	11.0	35.7	37.4	(22°)		
ϕ 63	9.0	7.0	22	25	13.0	11.0	42.7	44.4	(20°)		
ϕ 80	16.0	9.0	28	28	20.0	13.0	51.2	53.0	(16°)		
ϕ 100	15.5	9.5	28	28	19.5	13.5	61.7	63.5	(16°)		

- SCP*2
- CMK2
- CMA2
- SCM**
- SCG
- SCA2
- SCS
- CKV2
- CA/OV2
- SSD
- CAT
- MDC2
- MVC
- SMD2
- MSD*
- FC*
- STK
- ULK*
- JSK/M2
- JSG
- JSC3
- USSD
- USC
- JSB3
- LMB
- STG
- STS/L
- LCS
- LCG
- LCM
- LCT
- LCY
- STR2
- UCA2
- HCM
- HCA
- SRL2
- SRG
- SRM
- SRT
- MRL2
- MRG2
- SM-25
- CAC3
- UCAC
- RCC2
- MFC
- SHC
- GLC

Ending

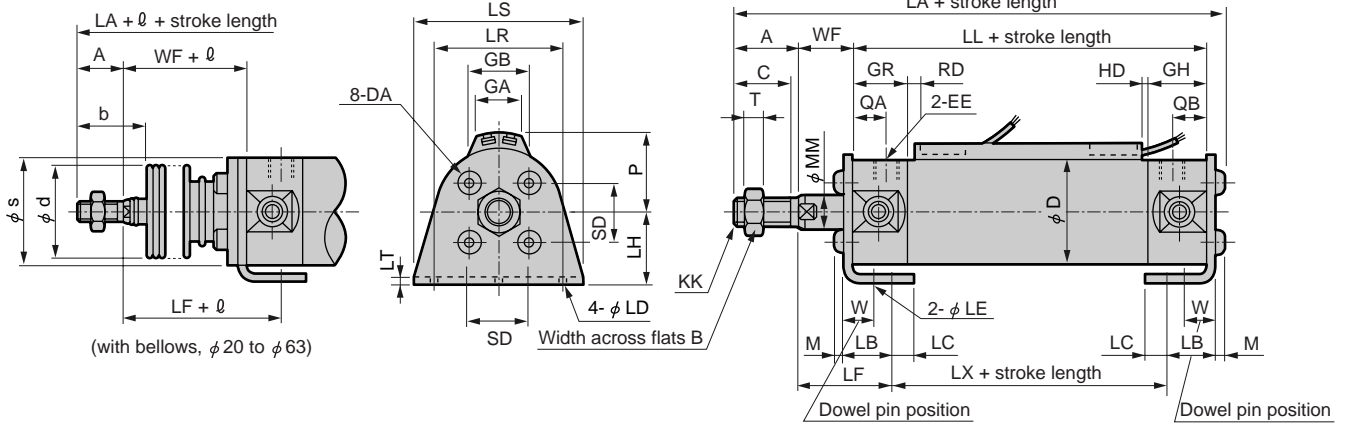
Round shaped cylinder
Standard type

Dimensions

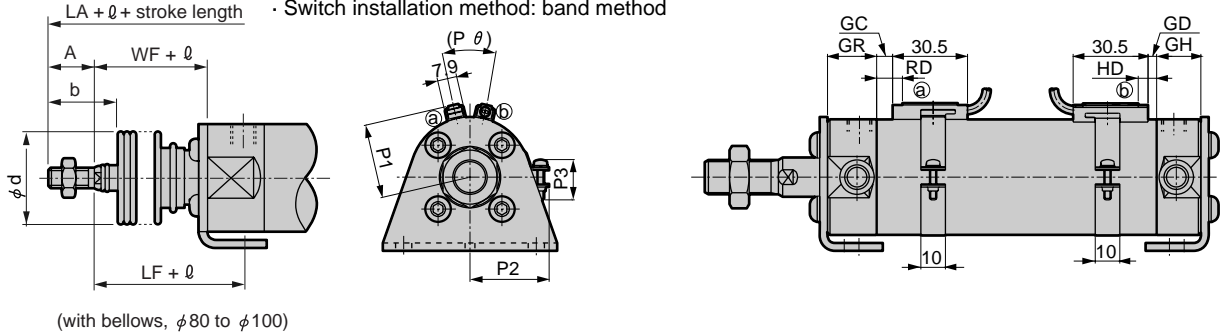


● Axial foot type (LB)

· Switch installation method: rail method



· Switch installation method: band method



(with bellows, $\phi 80$ to $\phi 100$)

Symbol	Axial foot type (LB) basic dimensions																					
	A	B	C	D	DA	EE (Note 1)	GH	GR	KK	LA	LB	LC	LD	LE	LF	LH	LL	LR	LS	LT	LX	M
$\phi 20$	18	13	15.5	26	M4	Rc1/8	17	19	M8	109.8	15.1	7.1	5.7	4	28.9	20	69	32	44	3.2	45.2	2.6
$\phi 25$	22	17	19.5	31	M5	Rc1/8	17	19	M10 x 1.25	115.6	15.1	7.1	5.7	4	29.9	22	69	36	49	3.2	45.2	3.4
$\phi 32$	22	17	19.5	38	M5	Rc1/8	17	19	M10 x 1.25	117.6	16.1	8.1	6.8	4	30.9	25	71	44	58	3.2	45.2	3.4
$\phi 40$	30	22	27	47	M6	Rc1/8	19	20	M14 x 1.5	135.2	16.6	9.1	6.8	4	33.4	30	78	54	71	3.2	51.2	4
$\phi 50$	35	27	32	58	M8	Rc1/4	22	25	M18 x 1.5	157.5	22	11	9	5	40.5	40	90	66	86	4.5	55	5
$\phi 63$	35	27	32	72	M10	Rc1/4	22	25	M18 x 1.5	157.5	22	13	11	5	40.5	45	90	82	106	4.5	55	5
$\phi 80$	40	32	37	89	M10	Rc3/8	28	28	M22 x 1.5	189.5	28.5	14	11	6	55	55	108	100	125	4.5	60	6
$\phi 100$	40	41	37	110	M12	Rc1/2	28	28	M26 x 1.5	192	30	16	14	6	55	65	108	120	150	6	60	7

Symbol	With bellows										Switch installation method: rail method						Switch installation method: band method			
	MM	QA	QB	SD	T	W	WF	b	d	s	l	P	GA	GB	HD	RD	GD	GC		
Bore size (mm)														T0, T5	T2, T3	T0, T5	T2, T3	T0, T2, T3, T5		
$\phi 20$	8	12	10	14	5	10	17	30	30	25.7	Stroke length/3 + 18.5	19.5	18	23	4.0	7.0	7.0	7.5	3.5	2.5
$\phi 25$	10	12	10	16.5	6	10	18	35	30	30.7	(stroke length/3) + 20.5	22	18	24.4	3.0	6.0	8.0	8.5	4.5	1.5
$\phi 32$	12	12	10	20	6	10	18	31.5	35	37.7	(stroke length/3) + 19	25.5	18	25	4.0	7.0	9.0	9.5	5.5	2.5
$\phi 40$	16	13	12	26	8	10	20	40	35	46.7	(stroke length/3) + 18.5	30	18	25.7	6.0	9.0	11.0	11.5	7.5	4.5
$\phi 50$	20	15	12	32	11	17.5	23	46	40	57.7	(stroke length/3.6) + 18.5	35.5	18	26.2	8.0	11.5	12.0	13.0	9.0	7.0
$\phi 63$	20	15	12	38	11	17.5	23	46	40	71.7	(stroke length/3.6) + 18.5	42.5	18	26.5	8.0	11.5	12.0	13.0	9.0	7.0
$\phi 80$	25	15	15	50	13	20	31	55	50	-	(stroke length/4.3) + 14.5	51	18	26.7	10.5	13.0	19.0	20.0	16.0	9.0
$\phi 100$	30	15	15	60	16	20	31	56	60	-	(stroke length/4.5) + 21	61.5	18	26.7	11.0	13.5	18.5	19.5	15.5	9.5

Symbol	With bellows				
	HD	RD	P1	P2	P θ
Bore size (mm)	T0, T2, T3, T5				
$\phi 20$	7.5	6.5	19.6	21.5	(38°)
$\phi 25$	8.5	5.5	22.1	23.9	(34°)
$\phi 32$	9.5	6.5	25.6	27.6	(30°)
$\phi 40$	11.5	8.5	30.2	32.1	(26°)
$\phi 50$	13.0	11.0	35.7	37.4	(22°)
$\phi 63$	13.0	11.0	42.7	44.4	(20°)
$\phi 80$	20.0	13.0	51.2	53.0	(16°)
$\phi 100$	19.5	13.5	61.7	63.5	(16°)

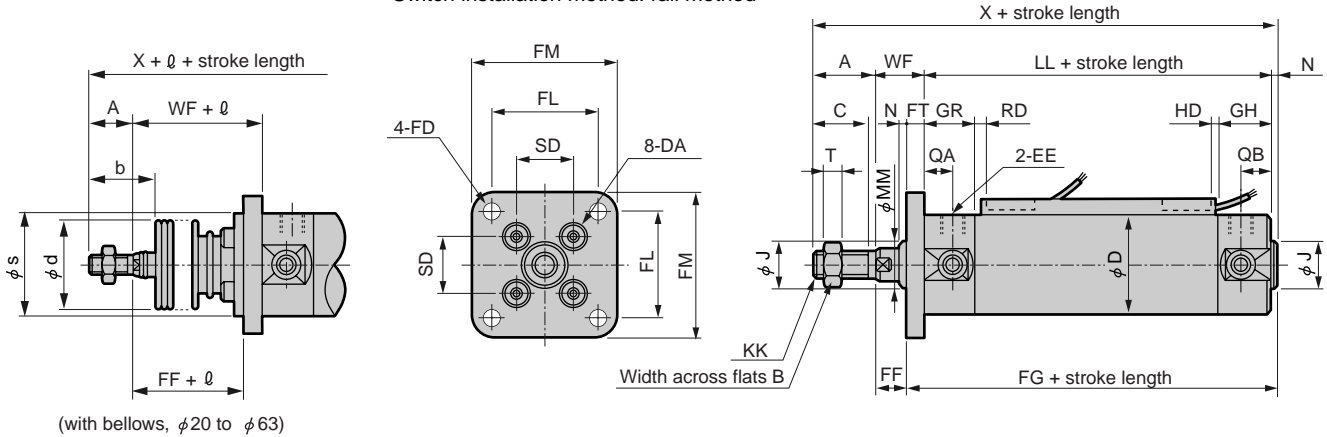
Note 1: Needle relevant dimensions and port size of air cushioned types are same as basic type. Refer to page 230. (20 and 25 mm bore cylinders are different from basic type.)
 Note 2: Refer to the page 333 for the RD, HD, and projecting dimensions of the 2-color indicator type, preventive maintenance output type, off delay type, strong magnetic field proof type, T1H/V, T8H/V switch.
 Note 3: Refer to page 334 and 335 for accessory dimensions.

Dimensions



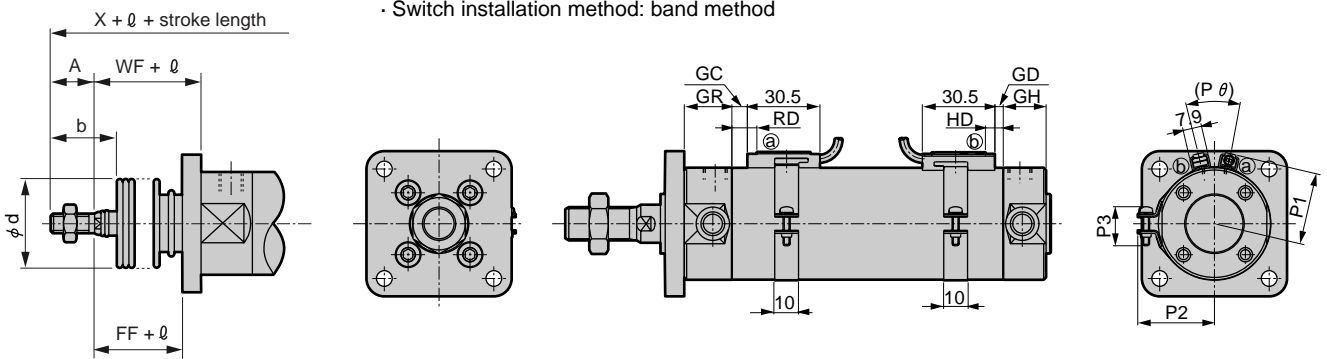
● Rod end flange type (FA)

· Switch installation method: rail method



(with bellows, φ20 to φ63)

· Switch installation method: band method



(with bellows, φ80 to φ100)

Note 1: Needle relevant dimensions and port size of air cushioned types are same as basic type. Refer to page 230. (20 and 25 mm bore cylinders are different from basic type.)

Note 2: Refer to the page 333 for the RD, HD, and projecting dimensions of the 2-color indicator type, preventive maintenance output type, off delay type, strong magnetic field proof type, T1H/V, T8H/V switch.

Note 3: Refer to page 334 and 335 for accessory dimensions.

Symbol	Rod end flange type (FA) basic dimensions																							
Bore size (mm)	A	B	C	D	DA	EE (Note 1)	FD	FF	FG	FL	FM	FT	GH	GR	J	KK	LL	MM	N	QA	QB	SD	T	WF
φ 20	18	13	15.5	26	M4	Rc1/8	5.5	11	77	28	40	6	17	19	12	M8	69	8	2	12	10	14	5	17
φ 25	22	17	19.5	31	M5	Rc1/8	5.5	11	78	32	44	7	17	19	14	M10 x 1.25	69	10	2	12	10	16.5	6	18
φ 32	22	17	19.5	38	M5	Rc1/8	6.6	11	80	38	53	7	17	19	18	M10 x 1.25	71	12	2	12	10	20	6	18
φ 40	30	22	27	47	M6	Rc1/8	6.6	12	88	46	61	8	19	20	25	M14 x 1.5	78	16	2	13	12	26	8	20
φ 50	35	27	32	58	M8	Rc1/4	9	14	101	58	76	9	22	25	30	M18 x 1.5	90	20	2	15	12	32	11	23
φ 63	35	27	32	72	M10	Rc1/4	11	14	101	70	92	9	22	25	32	M18 x 1.5	90	20	2	15	12	38	11	23
φ 80	40	32	37	89	M10	Rc3/8	11	20	122	82	104	11	28	28	40	M22 x 1.5	108	25	3	15	15	50	13	31
φ 100	40	41	37	110	M12	Rc1/2	13	17	125	100	128	14	28	28	50	M26 x 1.5	108	30	3	15	15	60	16	31

Symbol	With bellows					Switch installation : rail method								Switch installation method: band method						
	X	b	d	s	ℓ	HD		RD		GD		GC		HD		RD		P1	P2	Pθ
						T0, T5	T2, T3	T0, T5	T2, T3	T0, T2, T3, T5	T0, T2, T3, T5	T0, T2, T3, T5	T0, T2, T3, T5							
φ 20	106	30	30	25.7	(stroke length/3) + 18.5	4.0	7.0	7.0	7.5	3.5	2.5	7.5	6.5	19.6	21.5	(38°)				
φ 25	111	35	30	30.7	(stroke length/3) + 20.5	3.0	6.0	8.0	8.5	4.5	1.5	8.5	5.5	22.1	23.9	(34°)				
φ 32	113	31.5	35	37.7	(stroke length/3) + 19	4.0	7.0	9.0	9.5	5.5	2.5	9.5	6.5	25.6	27.6	(30°)				
φ 40	130	40	35	46.7	(stroke length/3) + 18.5	6.0	9.0	11.0	11.5	7.5	4.5	11.5	8.5	30.2	32.1	(26°)				
φ 50	150	46	40	57.7	(stroke length/3.6) + 18.5	8.0	11.5	12.0	13.0	9.0	7.0	13.0	11.0	35.7	37.4	(22°)				
φ 63	150	46	40	71.7	(stroke length/3.6) + 18.5	8.0	11.5	12.0	13.0	9.0	7.0	13.0	11.0	42.7	44.4	(20°)				
φ 80	182	55	50	-	(stroke length/4.3) + 14.5	10.5	13.0	19.0	20.0	16.0	9.0	20.0	13.0	51.2	53.0	(16°)				
φ 100	182	56	60	-	(stroke length/4.5) + 21	11.0	13.5	18.5	19.5	15.5	9.5	19.5	13.5	61.7	63.5	(16°)				

- SCP*2
- CMK2
- CMA2
- SCM
- SCG
- SCA2
- SCS
- CKV2
- CA/OV2
- SSD
- CAT
- MDC2
- MVC
- SMD2
- MSD*
- FC*
- STK
- ULK*
- JSK/M2
- JSG
- JSC3
- USSD
- USC
- JSB3
- LMB
- STG
- STS/L
- LCS
- LCG
- LCM
- LCT
- LCY
- STR2
- UCA2
- HCM
- HCA
- SRL2
- SRG
- SRM
- SRT
- MRL2
- MRG2
- SM-25
- CAC3
- UCAC
- RCC2
- MFC
- SHC
- GLC
- Ending

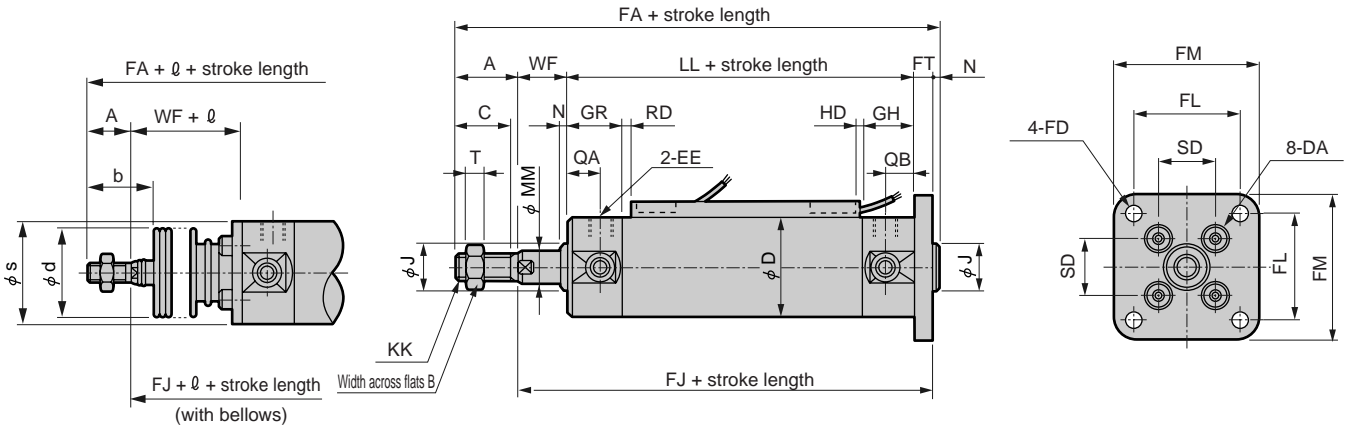
Round shaped cylinder
Standard type

Dimensions

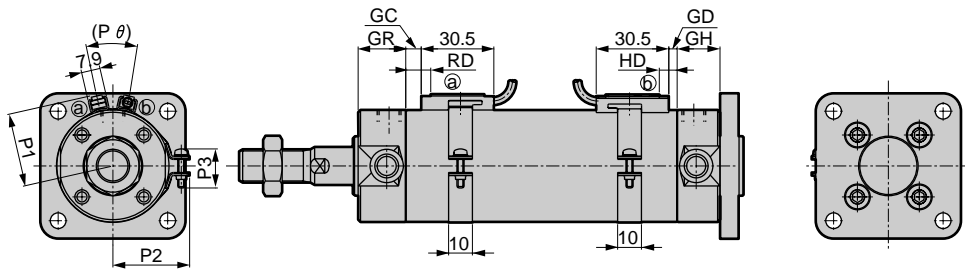


● Head end flange type (FB)

· Switch installation method: rail method



· Switch installation method: band method



Note 1: Needle relevant dimensions and port size of air cushioned types are same as basic type.

Refer to page 230. (20 and 25 mm bore cylinders are different from basic type.)

Note 2: Refer to the page 333 for the RD, HD, and projecting dimensions of the 2-color indicator type, preventive maintenance output type, off delay type, strong magnetic field proof type, T1H/V, T8H/V switch.

Note 3: Refer to page 334 and 335 for accessory dimensions.

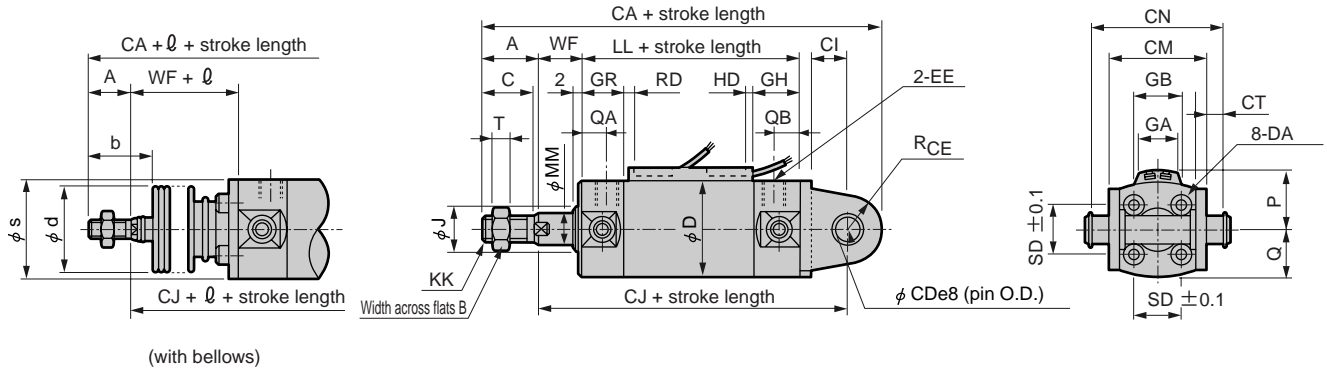
Symbol	Rod end flange type (FB) basic dimensions																							
	A	B	C	D	DA	EE (Note 1)	FA	FD	FJ	FL	FM	FT	GH	GR	J	KK	LL	MM	N	QA	QB	SD	T	WF
SCP*2	18	13	15.5	26	M4	Rc1/8	112	5.5	92	28	40	6	17	19	12	M8	69	8	2	12	10	14	5	17
CMK2	22	17	19.5	31	M5	Rc1/8	118	5.5	94	32	44	7	17	19	14	M10 x 1.25	69	10	2	12	10	16.5	6	18
CMA2	22	17	19.5	38	M5	Rc1/8	120	6.6	96	38	53	7	17	19	18	M10 x 1.25	71	12	2	12	10	20	6	18
SCM	30	22	27	47	M6	Rc1/8	138	6.6	106	46	61	8	19	20	25	M14 x 1.5	78	16	2	13	12	26	8	20
SCG	35	27	32	58	M8	Rc1/4	159	9	122	58	76	9	22	25	30	M18 x 1.5	90	20	2	15	12	32	11	23
SCA2	35	27	32	72	M10	Rc1/4	159	11	122	70	92	9	22	25	32	M18 x 1.5	90	20	2	15	12	38	11	23
SCS	40	32	37	89	M10	Rc3/8	193	11	150	82	104	11	28	28	40	M22 x 1.5	108	25	3	15	15	50	13	31
CKV2	40	41	37	110	M12	Rc1/2	196	13	153	100	128	14	28	28	50	M26 x 1.5	108	30	3	15	15	60	16	31
Symbol	With bellows				Switch installation: rail method								Switch installation method: band method											
	Bore size (mm)	b	d	s	l	HD		RD		GD	GC	HD	RD	P1	P2	P theta								
						T0, T5	T2, T3	T0, T5	T2, T3								T0, T2, T3, T5	T0, T2, T3, T5						
φ 20	30	30	25.7	(stroke length/3) + 18.5	4.0	7.0	7.0	7.5	3.5	2.5	7.5	6.5	19.6	21.5	(38°)									
φ 25	35	30	30.7	(stroke length/3) + 20.5	3.0	6.0	8.0	8.5	4.5	1.5	8.5	5.5	22.1	23.9	(34°)									
φ 32	31.5	35	37.7	(stroke length/3) + 19	4.0	7.0	9.0	9.5	5.5	2.5	9.5	6.5	25.6	27.6	(30°)									
φ 40	40	35	46.7	(stroke length/3) + 18.5	6.0	9.0	11.0	11.5	7.5	4.5	11.5	8.5	30.2	32.1	(26°)									
φ 50	46	40	57.7	(stroke length/3.6) + 18.5	8.0	11.5	12.0	13.0	9.0	7.0	13.0	11.0	35.7	37.4	(22°)									
φ 63	46	40	71.7	(stroke length/3.6) + 18.5	8.0	11.5	12.0	13.0	9.0	7.0	13.0	11.0	42.7	44.4	(20°)									
φ 80	55	50	88.7	(stroke length/4.3) + 14.5	10.5	13.0	19.0	20.0	16.0	9.0	20.0	13.0	51.2	53.0	(16°)									
φ 100	56	60	109.7	(stroke length/4.5) + 21	11.0	13.5	18.5	19.5	15.5	9.5	19.5	13.5	61.7	63.5	(16°)									



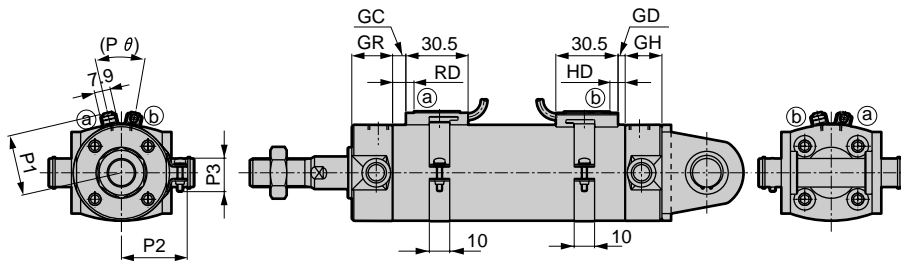
Dimensions (φ 20 to φ 63)

● Eye bracket type (CA)

· Switch installation method: rail method



· Switch installation method: band method



Symbol	Eye bracket type (CA) basic dimensions																			
Bore size (mm)	A	B	C	CA	CD	CE	CT	CI	CJ	CM	CN	D	DA	EE (Note 1)	GH	GR	J	KK	LL	MM
φ 20	18	13	15.5	129	8	11	3.2	10.8	100	29	38.6	26	M4	Rc1/8	17	19	12	M8	69	8
φ 25	22	17	19.5	138	10	13	3.2	12.8	103	33	42.6	31	M5	Rc1/8	17	19	14	M10 x 1.25	69	10
φ 32	22	17	19.5	145.5	12	15	4.5	15.5	108.5	40	54	38	M5	Rc1/8	17	19	18	M10 x 1.25	71	12
φ 40	30	22	27	167.5	14	18	4.5	17.5	119.5	49	65	47	M6	Rc1/8	19	20	25	M14 x 1.5	78	16
φ 50	35	27	32	192.5	16	20	6	19	137.5	60	79.6	58	M8	Rc1/4	22	25	30	M18 x 1.5	90	20
φ 63	35	27	32	199.5	18	22	8	22	142.5	74	97.8	72	M10	Rc1/4	22	25	32	M18 x 1.5	90	20

Symbol	With bellows						Switch installation method: rail method					Switch installation: band method							
Bore size (mm)	Q	QA	QB	SD	T	WF	b	d	s	ℓ	P	GA	GB	HD	RD	GD	GC		
	T0, T5			T2, T3			T0, T5		T2, T3		T0, T2, T3, T5								
φ 20	13	12	10	14	5	17	30	30	25.7	(stroke length/3) + 18.5	19.5	18	23	4.0	7.0	7.0	7.5	3.5	2.5
φ 25	15.5	12	10	16.5	6	18	35	30	30.7	(stroke length/3) + 20.5	22	18	24.4	3.0	6.0	8.0	8.5	4.5	1.5
φ 32	19	12	10	20	6	18	31.5	35	37.7	(stroke length/3) + 19	25.5	18	25	4.0	7.0	9.0	9.5	5.5	2.5
φ 40	23.5	13	12	26	8	20	40	35	46.7	(stroke length/3) + 18.5	30	18	25.7	6.0	9.0	11.0	11.5	7.5	4.5
φ 50	29	15	12	32	11	23	46	40	57.7	(stroke length/3.6) + 18.5	35.5	18	26.2	8.0	11.5	12.0	13.0	9.0	7.0
φ 63	36	15	12	38	11	23	46	40	71.7	(stroke length/3.6) + 18.5	42.5	18	26.5	8.0	11.5	12.0	13.0	9.0	7.0

Symbol	Switch installation method: band method						
Bore size (mm)	HD		RD		P1	P2	P θ
	T0, T2, T3, T5						
φ 20	7.5	6.5	19.6	21.5	(38°)		
φ 25	8.5	5.5	22.1	23.9	(34°)		
φ 32	9.5	6.5	25.6	27.6	(30°)		
φ 40	11.5	8.5	30.2	32.1	(26°)		
φ 50	13.0	11.0	35.7	37.4	(22°)		
φ 63	13.0	11.0	42.7	44.4	(20°)		

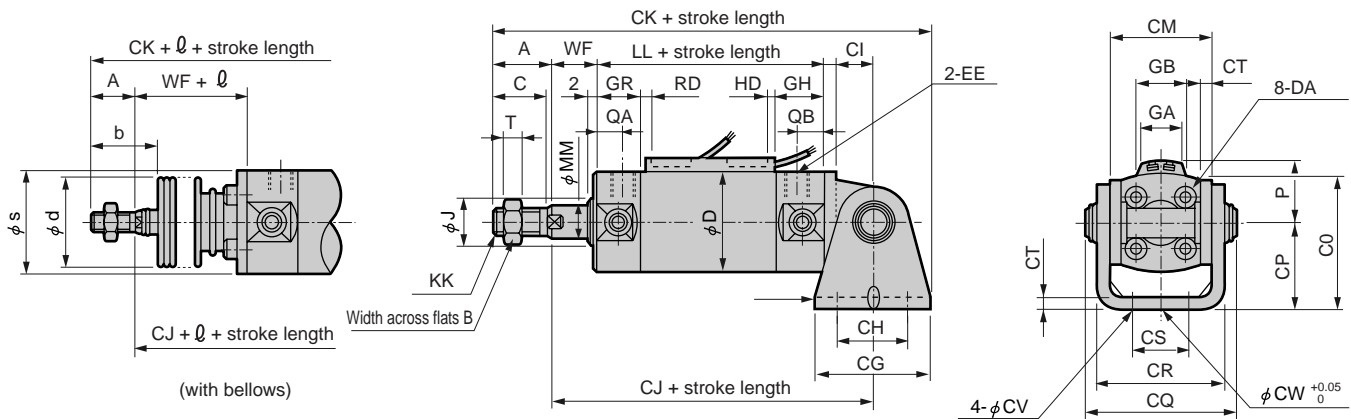
Note 1: Needle relevant dimensions and port size of air cushioned types are same as basic type. Refer to page 230. (20 and 25 mm bore cylinders are different from basic type.)
 Note 2: Refer to the page 333 for the RD, HD, and projecting dimensions of the 2-color indicator type, preventive maintenance output type, off delay type, strong magnetic field proof type, T1H/V, T8H/V switch.
 Note 3: Refer to page 334 and 335 for accessory dimensions.

Dimensions (φ20 to φ63)

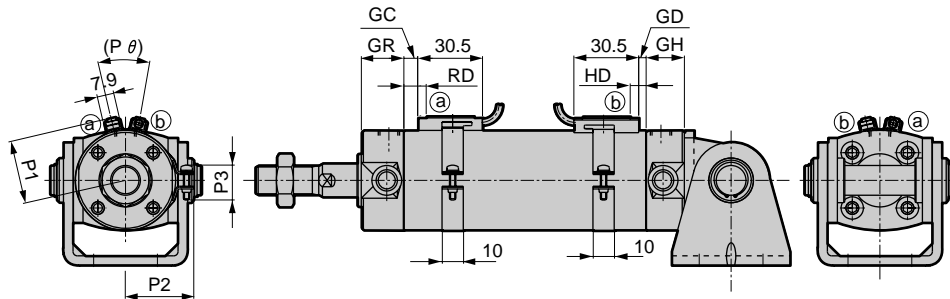


- Eye bracket type (CA) with bracket (option symbol B2)

· Switch installation method: rail method



· Switch installation method: band method



Symbol	Eye bracket type (CA) with bracket (option symbol B2) basic dimensions																						
Bore size (mm)	A	B	C	CG	CH	CI	CJ	CK	CM	CO	CP	CQ	CR	CS	CT	CV	CW	D	DA	EE (Note 1)	GH	GR	J
φ20	18	13	15.5	42	28	10.8	100	139	29	38	25	43.4	35.8	16	3.2	5.5	10	26	M4	Rc1/8	17	19	12
φ25	22	17	19.5	42	28	12.8	103	146	33	45.5	30	48	39.8	20	3.2	5.5	10	31	M5	Rc1/8	17	19	14
φ32	22	17	19.5	48	28	15.5	108.5	154.5	40	54	35	59.4	49.4	22	4.5	6.6	10	38	M5	Rc1/8	17	19	18
φ40	30	22	27	56	30	17.5	119.5	177.5	49	63.5	40	71.4	58.4	30	4.5	6.6	10	47	M6	Rc1/8	19	20	25
φ50	35	27	32	64	36	19	137.5	204.5	60	79	50	86	72.4	36	6	9	20	58	M8	Rc1/4	22	25	30
φ63	35	27	32	74	46	22	142.5	214.5	74	96	60	105.4	90.4	46	8	11	20	72	M10	Rc1/4	22	25	32

Symbol	With bellows										Switch installation method: rail method					Switch installation: band method						
Bore size (mm)	KK	LL	MM	QA	QB	T	WF	b	d	s	ℓ	P	GA	GB	HD		RD		GD		GC	
															T0, T5	T2, T3	T0, T5	T2, T3	T0, T2, T3, T5	T0, T2, T3, T5	T0, T2, T3, T5	T0, T2, T3, T5
φ20	M8	69	8	12	10	5	17	30	30	25.7	(stroke length/3) + 18.5	19.5	18	23	4.0	7.0	7.0	7.5	3.5	2.5		
φ25	M10 x 1.25	69	10	12	10	6	18	35	30	30.7	(stroke length/3) + 20.5	22	18	24.4	3.0	6.0	8.0	8.5	4.5	1.5		
φ32	M10 x 1.25	71	12	12	10	6	18	31.5	35	37.7	(stroke length/3) + 19	25.5	18	25	4.0	7.0	9.0	9.5	5.5	2.5		
φ40	M14 x 1.5	78	16	13	12	8	20	40	35	46.7	(stroke length/3) + 18.5	30	18	25.7	6.0	9.0	11.0	11.5	7.5	4.5		
φ50	M18 x 1.5	90	20	15	12	11	23	46	40	57.7	(stroke length/3.6) + 18.5	35.5	18	26.2	8.0	11.5	12.0	13.0	9.0	7.0		
φ63	M18 x 1.5	90	20	15	12	11	23	46	40	71.7	(stroke length/3.6) + 18.5	42.5	18	26.5	8.0	11.5	12.0	13.0	9.0	7.0		

Symbol	Switch installation method: band method				
Bore size (mm)	HD		RD		Pθ
	T0, T2, T3, T5	P1	P2	Pθ	
φ20	7.5	6.5	19.6	21.5	(38°)
φ25	8.5	5.5	22.1	23.9	(34°)
φ32	9.5	6.5	25.6	27.6	(30°)
φ40	11.5	8.5	30.2	32.1	(26°)
φ50	13.0	11.0	35.7	37.4	(22°)
φ63	13.0	11.0	42.7	44.4	(20°)

Note 1: Needle relevant dimensions and port size of air cushioned types are same as basic type. Refer to page 230. (20 and 25 mm bore cylinders are different from basic type.)
 Note 2: Refer to the page 333 for the RD, HD, and projecting dimensions of the 2-color indicator type, preventive maintenance output type, off delay type, strong magnetic field proof type, T1H/V, T8H/V switch.
 Note 3: Refer to page 334 and 335 for accessory dimensions.

SCP*2
 CMK2
 CMA2
SCM
 SCG
 SCA2
 SCS
 CKV2
 CA/OV2
 SSD
 CAT
 MDC2
 MVC
 SMD2
 MSD*
 FC*
 STK
 ULK*
 JSK/M2
 JSG
 JSC3
 USSD
 USC
 JSB3
 LMB
 STG
 STS/L
 LCS
 LCG
 LCM
 LCT
 LCY
 STR2
 UCA2
 HCM
 HCA
 SRL2
 SRG
 SRM
 SRT
 MRL2
 MRG2
 SM-25
 CAC3
 UCAC
 RCC2
 MFC
 SHC
 GLC
 Ending

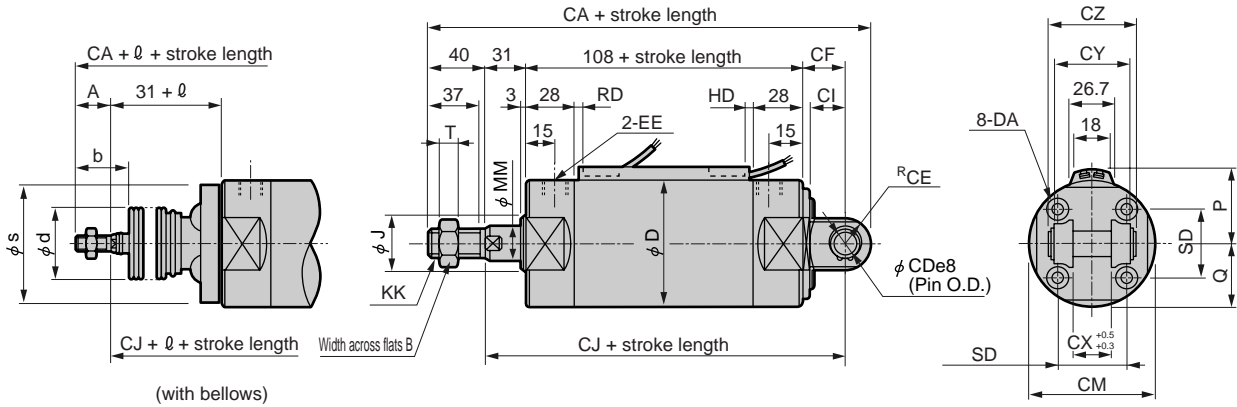
Round shaped cylinder
 Standard type



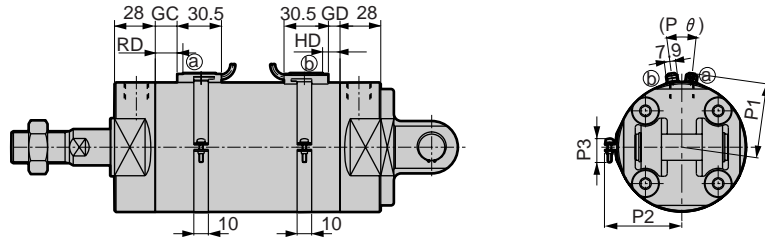
Dimensions (φ 80 to φ 100)

● Clevis bracket type (CB)

· Switch installation method: rail method



· Switch installation method: band method



Note 1: Needle relevant dimensions and port size of air cushioned types are same as basic type. Refer to page 230.

Note 2: Refer to the page 333 for the RD, HD, and projecting dimensions of the 2-color indicator type, preventive maintenance output type, off delay type, strong magnetic field proof type, T1H/V, T8H/V switch.

Note 3: Refer to page 334 and 335 for accessory dimensions.

Symbol	Clevis bracket type (CB) basic dimensions																			
Bore size (mm)	B	CA	CD	CE	CF	CI	CJ	CM	CX	CY	CZ	D	DA	EE (Note 1)	J	KK	MM	Q	SD	T
φ80	32	232	18	18	35	25	174	80	28	56	64	89	M10	Rc3/8	40	M22 x 1.5	25	44.5	50	13
φ100	41	244	22	22	43	31	182	100	32	64	72	110	M12	Rc1/2	50	M26 x 1.5	30	55	60	16

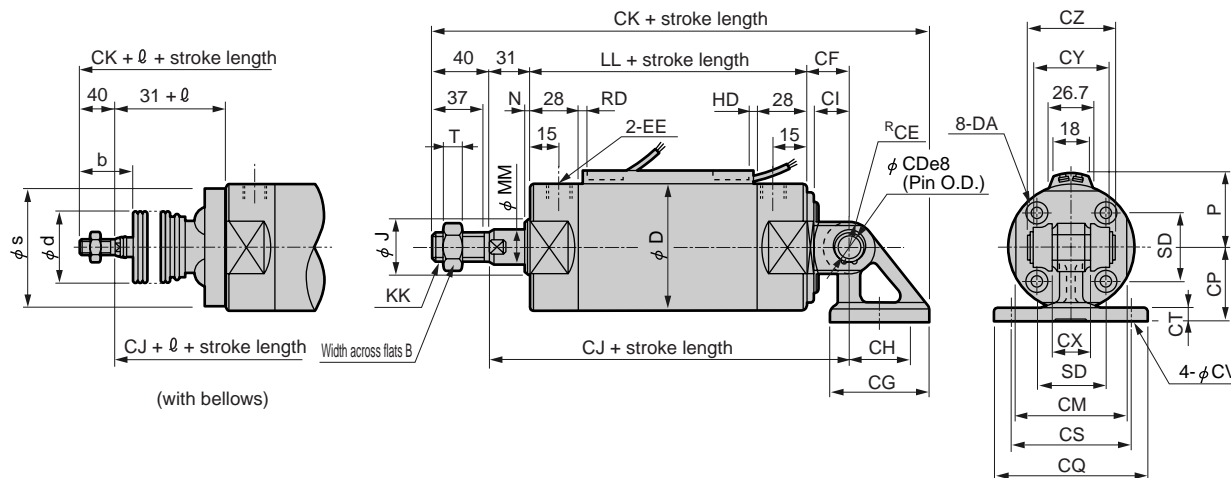
Symbol	With bellows				Switch installation method: rail method								Switch installation method: band method				
	b	d	s	l	P	HD		RD		GD	GC	HD	RD	P1	P2	P θ	
						T0, T5	T2, T3	T0, T5	T2, T3								T0, T2, T3, T5
φ80	55	50	88.7	(stroke length/4.3) + 14.5	51	10.5	13.0	19.0	20.0	16.0	9.0	20.0	13.0	51.2	53.0	(16°)	
φ100	56	60	109.7	(stroke length/4.5) + 21	61.5	11.0	13.5	18.5	19.5	15.5	9.5	19.5	13.5	61.7	63.5	(16°)	

Dimensions (φ 80 to φ 100)

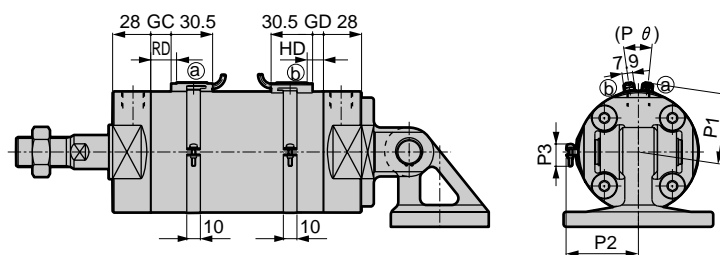


- Clevis bracket type (CB) with bracket (option symbol B1)

- Switch installation method: rail method



- Switch installation method: band method



Note 1: Needle relevant dimensions and port size of air cushioned types are same as basic type. Refer to page 230.

Note 2: Refer to the page 333 for the RD, HD, and projecting dimensions of the 2-color indicator type, preventive maintenance output type, off delay type, strong magnetic field proof type, T1H/V, T8H/V switch.

Note 3: Refer to page 334 and 335 for accessory dimensions.

Symbol	Clevis bracket type (CB) with bracket (option symbol B2) basic dimensions																									
Bore size (mm)	B	CD	CE	CF	CG	CH	CI	CJ	CK	CM	CP	CQ	CS	CT	CV	CX	CY	CZ	D	DA	EE (Note 1)	J	KK			
φ80	32	18	18	35	72	45	25	174	272.5	80	55	110	85	11	11	28	56	64	89	M10	Rc3/8	40	M22 x 1.5			
φ100	41	22	22	43	93	60	31	182	298.5	100	65	130	100	12	13.5	32	64	72	100	M12	Rc1/2	50	M26 x 1.5			
Symbol	With bellows					Switch installation method: rail method					Switch installation method: band method															
Bore size (mm)	LL	MM	N	SD	T	b	d	s	ℓ	P	HD		RD		GD			GC		HD			RD		P1	P2
φ80	108	25	3	50	13	55	50	88.7	(Stroke length/4.3) + 14.5	51	T0, T5	T2, T3	T0, T5	T2, T3	T0, T2, T3, T5	T0, T2, T3, T5	T0, T2, T3, T5	T0, T2, T3, T5	T0, T2, T3, T5	T0, T2, T3, T5	P1	P2	51.2	53.0		
φ100	108	30	3	60	16	56	60	109.7	(Stroke length/4.5) + 21	61.5	11.0	13.5	18.5	19.5	15.5	9.5	19.5	13.5	61.7	63.5						
Symbol	P θ																									
Bore size (mm)	φ80	(16°)																								
φ100	(16°)																									

SCP*2
CMK2
CMA2
SCM
SCG
SCA2
SCS
CKV2
CA/OV2
SSD
CAT
MDC2
MVC
SMD2
MSD*
FC*
STK
ULK*
JSK/M2
JSG
JSC3
USSD
USC
JSB3
LMB
STG
STS/L
LCS
LCG
LCM
LCT
LCY
STR2
UCA2
HCM
HCA
SRL2
SRG
SRM
SRT
MRL2
MRG2
SM-25
CAC3
UCAC
RCC2
MFC
SHC
GLC
Ending

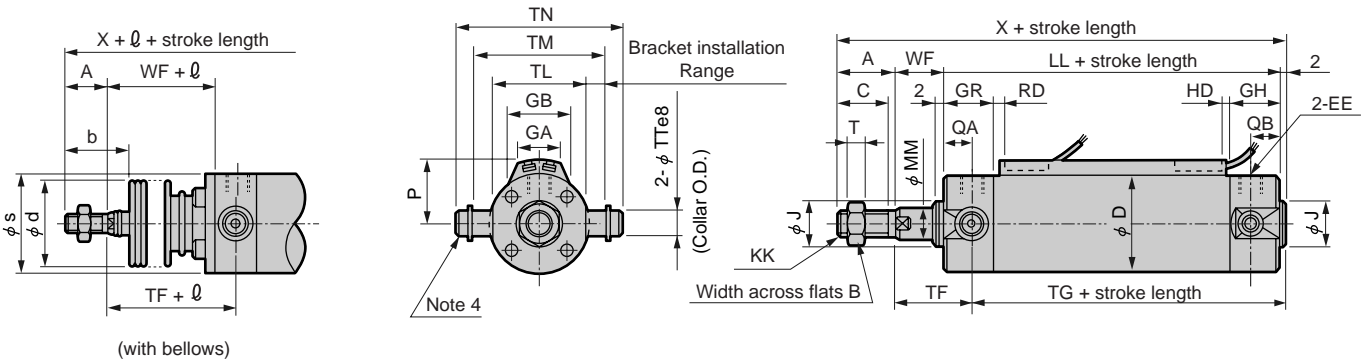
Round shaped cylinder
Standard type

Dimensions (20 to 63)

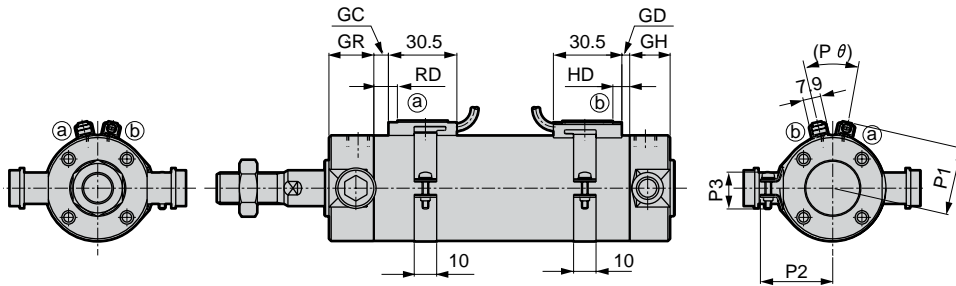


● Rod end trunnion type (TA)

· Switch installation method: rail method



· Switch installation method: band method



Note 1: Needle relevant dimensions and port size of air cushioned types are same as basic type. Refer to page 230. (20 and 25 mm bore cylinders are different from basic type.)

Note 2: Refer to the page 333 for the RD, HD, and projecting dimensions of the 2-color indicator type, preventive maintenance output type, off delay type, strong magnetic field proof type, T1H/V, T8H/V switch.

Note 3: Configuration is made from a collar, plain washer and hexagon socket head cap bolt.

Note 4: Refer to page 334 and 335 for accessory dimensions.

Symbol	Rod end trunnion type (TA) basic dimensions																
Bore size (mm)	A	B	C	D	EE (Note 1)	GH	GR	J	KK	LL	MM	QA	QB	T	TF	TG	TL
φ 20	18	13	15.5	26	Rc1/8	17	19	12	M8	69	8	12	10	5	28	60	28
φ 25	22	17	19.5	31	Rc1/8	17	19	14	M10 x 1.25	69	10	12	10	6	29	60	33
φ 32	22	17	19.5	38	Rc1/8	17	19	18	M10 x 1.25	71	12	12	10	6	29	62	40
φ 40	30	22	27	47	Rc1/8	19	20	25	M14 x 1.5	78	16	13	12	8	32	68	49
φ 50	35	27	32	58	Rc1/4	22	25	30	M18 x 1.5	90	20	15	12	11	36	79	60
φ 63	35	27	32	72	Rc1/4	22	25	32	M18 x 1.5	90	20	15	12	11	36	79	74

Symbol	With bellows								Switch installation method: rail method							
Bore size (mm)	TM	TN	TT	WF	X	b	d	s	ℓ	P	GA	GB	HD		RD	
													T0, T5	T2, T3	T0, T5	T2, T3
φ 20	39	47.6	8	17	106	30	30	25.7	(stroke length/3) + 18.5	19.5	18	23	4.0	7.0	7.0	7.5
φ 25	43	53	10	18	111	35	30	30.7	(stroke length/3) + 20.5	22	18	24.4	3.0	6.0	8.0	8.5
φ 32	54.5	67.7	12	18	113	31.5	35	37.7	(stroke length/3) + 19	25.5	18	25	4.0	7.0	9.0	9.5
φ 40	65.9	81.1	14	20	130	40	35	46.7	(stroke length/3) + 18.5	30	18	25.7	6.0	9.0	11.0	11.5
φ 50	80	98.6	16	23	150	46	40	57.7	(stroke length/3.6) + 18.5	35.5	18	26.2	8.0	11.5	12.0	13.0
φ 63	98	119.2	18	23	150	46	40	71.7	(stroke length/3.6) + 18.5	42.5	18	26.5	8.0	11.5	12.0	13.0

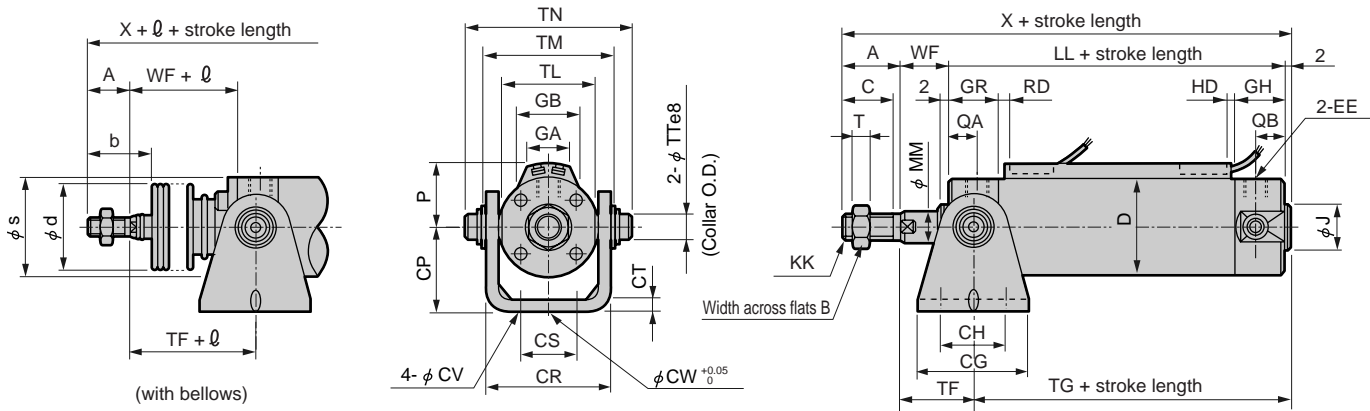
Symbol	Switch installation method: band method						
Bore size (mm)	GD	GC	HD	RD	P1	P2	Pθ
	T0, T2, T3, T5	T0, T2, T3, T5	T0, T2, T3, T5	T0, T2, T3, T5			
φ 20	3.5	2.5	7.5	6.5	19.6	21.5	(38°)
φ 25	4.5	1.5	8.5	5.5	22.1	23.9	(34°)
φ 32	5.5	2.5	9.5	6.5	25.6	27.6	(30°)
φ 40	7.5	4.5	11.5	8.5	30.2	32.1	(26°)
φ 50	9.0	7.0	13.0	11.0	35.7	37.4	(22°)
φ 63	9.0	7.0	13.0	11.0	42.7	44.4	(20°)

Dimensions (20 to 63)

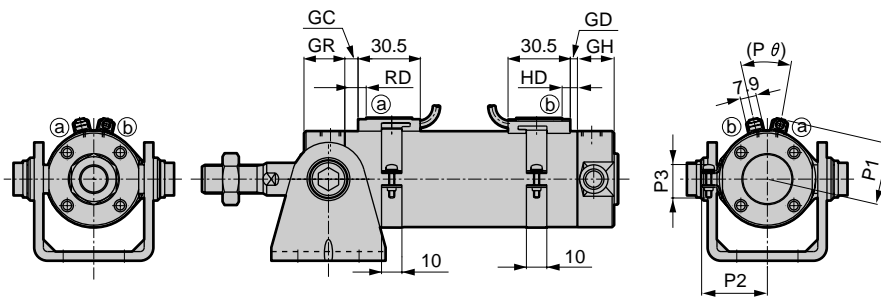


● Rod end trunnion type (TA) with bracket (option symbol: B2)

- Switch installation method: rail method



- Switch installation method: band method



Note 1: Needle relevant dimensions and port size of air cushioned types are same as basic type.

Refer to page 230. (20 and 25 mm bore cylinders are different from basic type.)

Note 2: Refer to the page 333 for the RD, HD, and projecting dimensions of the 2-color indicator type,

preventive maintenance output type, off delay type, strong magnetic field proof type, T1H/V, T8H/V switch.

Note 3: Refer to page 334 and 335 for accessory dimensions.

Symbol	Rod end trunnion type (TA) with bracket (option symbol B2) basic dimensions																					
Bore size (mm)	A	B	C	CG	CH	CP	CR	CS	CT	CV	CW	D	EE (Note 1)	GH	GR	J	KK	LL	MM	QA	QB	
φ 20	18	13	15.5	42	28	25	35.8	16	3.2	5.5	10	26	Rc1/8	17	19	12	M8	69	8	12	10	
φ 25	22	17	19.5	42	28	30	39.8	20	3.2	5.5	10	31	Rc1/8	17	19	14	M10 x 1.25	69	10	12	10	
φ 32	22	17	19.5	48	28	35	49.4	22	4.5	6.6	10	38	Rc1/8	17	19	18	M10 x 1.25	71	12	12	10	
φ 40	30	22	27	56	30	40	58.4	30	4.5	6.6	10	47	Rc1/8	19	20	25	M14 x 1.5	78	16	13	12	
φ 50	35	27	32	64	36	50	72.4	36	6	9	20	58	Rc1/4	22	25	30	M18 x 1.5	90	20	15	12	
φ 63	35	27	32	74	46	60	90.4	46	8	11	20	72	Rc1/4	22	25	32	M18 x 1.5	90	20	15	12	
Symbol	With bellows											Switch installation method: rail method										
Bore size (mm)	T	TF	TG	TL	TM	TN	TT	WF	X	b	d	s	l			P	GA	GB	HD		RD	
φ 20	5	28	60	28	39	47.6	8	17	106	30	30	25.7	(stroke length/3) + 18.5			19.5	18	23	4.0	7.0	7.0	7.5
φ 25	6	29	60	33	43	53	10	18	111	35	30	30.7	(stroke length/3) + 20.5			22	18	24.4	3.0	6.0	8.0	8.5
φ 32	6	29	62	40	54.5	67.7	12	18	113	31.5	35	37.7	(stroke length/3) + 19			25.5	18	25	4.0	7.0	9.0	9.5
φ 40	8	32	68	49	65.9	81.1	14	20	130	40	35	46.7	(stroke length/3) + 18.5			30	18	25.7	6.0	9.0	11.0	11.5
φ 50	11	36	79	60	80	98.6	16	23	150	46	40	57.7	(stroke length/3.6) + 18.5			35.5	18	26.2	8.0	11.5	12.0	13.0
φ 63	11	36	79	74	98	119.2	18	23	150	46	40	71.7	(stroke length/3.6) + 18.5			42.5	18	26.5	8.0	11.5	12.0	13.0
Symbol	Switch installation method: band method																					
Bore size (mm)	GD		GC		HD		RD		P1	P2	P											
φ 20	3.5		2.5		7.5		6.5		19.6	21.5	(38°)											
φ 25	4.5		1.5		8.5		5.5		22.1	23.9	(34°)											
φ 32	5.5		2.5		9.5		6.5		25.6	27.6	(30°)											
φ 40	7.5		4.5		11.5		8.5		30.2	32.1	(26°)											
φ 50	9.0		7.0		13.0		11.0		35.7	37.4	(22°)											
φ 63	9.0		7.0		13.0		11.0		42.7	44.4	(20°)											

SCP*2
CMK2
CMA2
SCM
SCG
SCA2
SCS
CKV2
CA/OV2
SSD
CAT
MDC2
MVC
SMD2
MSD*
FC*
STK
ULK*
JSK/M2
JSG
JSC3
USSD
USC
JSB3
LMB
STG
STS/L
LCS
LCG
LCM
LCT
LCY
STR2
UCA2
HCM
HCA
SRL2
SRG
SRM
SRT
MRG2
SM-25
CAC3
UCAC
RCC2
MFC
SHC
GLC
Ending

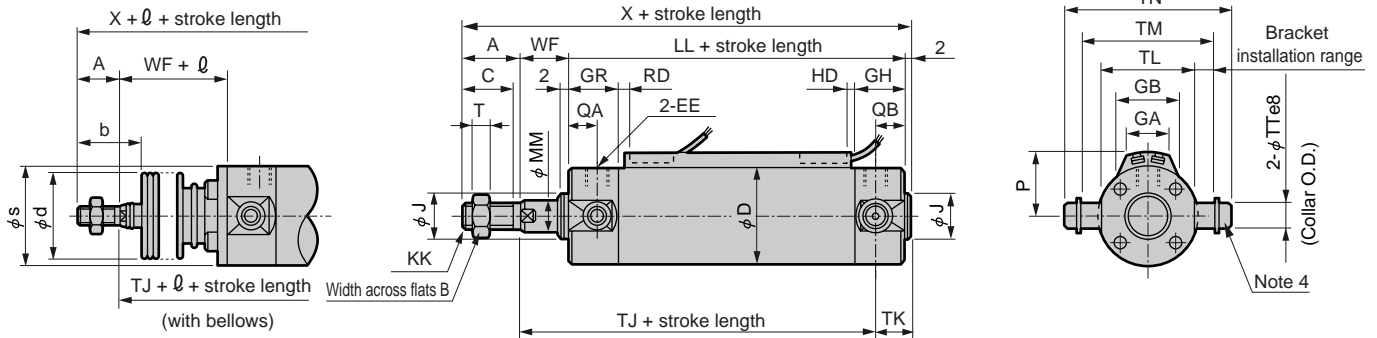
Round shaped cylinder
Standard type



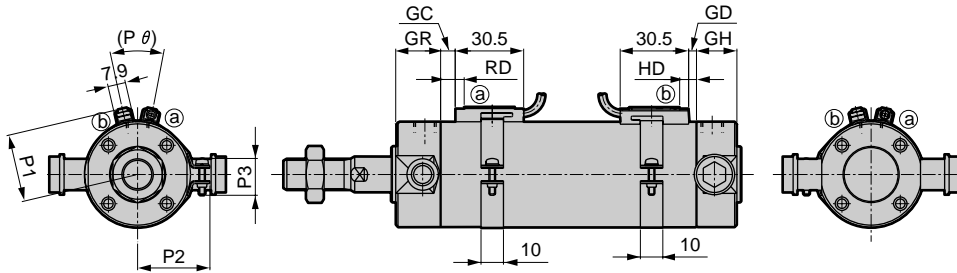
Dimensions (φ 20 to φ 63)

● Head end trunnion type (TB)

· Switch installation method: rail method



· Switch installation method: band method



Note 1: Needle relevant dimensions and port size of air cushioned types are same as basic type. Refer to page 230. (20 and 25 mm bore cylinders are different from basic type.)

Note 2: Refer to the page 333 for the RD, HD, and projecting dimensions of the 2-color indicator type, preventive maintenance output type, off delay type, strong magnetic field proof type, T1H/V, T8H/V switch.

Note 3: Configuration is made from a collar, plain washer and hexagon socket head cap bolt.

Note 4: Refer to page 334 and 335 for accessory dimensions.

Symbol	Head end trunnion type (TB) basic dimensions																					
Bore size (mm)	A	B	C	D	EE (Note 1)	GH	GR	J	KK	LL	MM	QA	QB	T	TJ	TK	TL	TM	TN	TT	WF	X
φ20	18	13	15.5	26	Rc1/8	17	19	12	M8	69	8	12	10	5	75	13	28	39	47.6	8	17	106
φ25	22	17	19.5	31	Rc1/8	17	19	14	M10 x 1.25	69	10	12	10	6	76	13	33	43	53	10	18	111
φ32	22	17	19.5	38	Rc1/8	17	19	18	M10 x 1.25	71	12	12	10	6	79	12	40	54.5	67.7	12	18	113
φ40	30	22	27	47	Rc1/8	19	20	25	M14 x 1.5	78	16	13	12	8	88	12	49	65.9	81.1	14	20	130
φ50	35	27	32	58	Rc1/4	22	25	30	M18 x 1.5	90	20	15	12	11	101	14	60	80	98.6	16	23	150
φ63	35	27	32	72	Rc1/4	22	25	32	M18 x 1.5	90	20	15	12	11	101	14	74	98	119.2	18	23	150

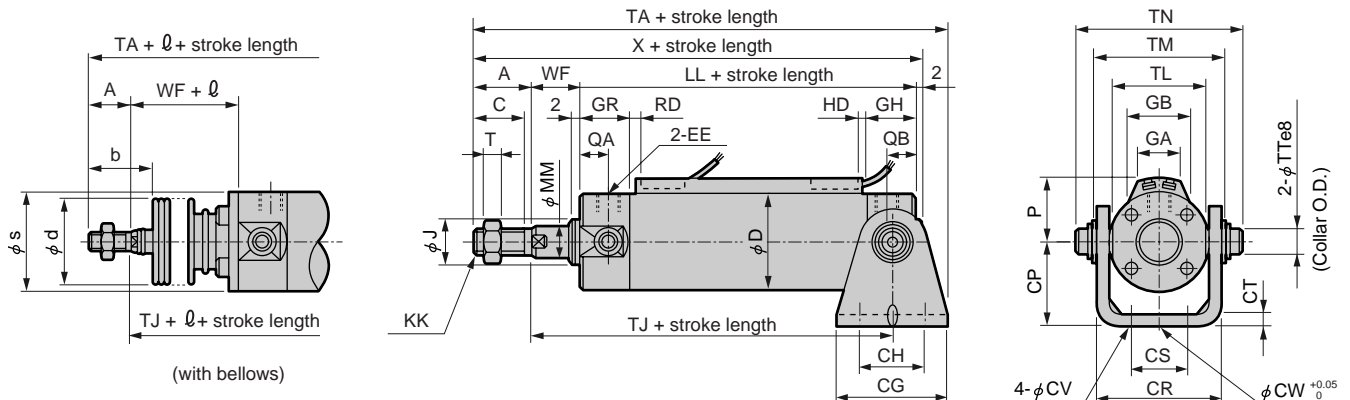
Symbol	With bellows				Switch installation method: rail method								Switch installation method: band method									
Bore size (mm)	b	d	s	ℓ	P	GA	GB	HD		RD		GD		GC		HD		RD		P1	P2	Pθ
								T0, T5	T2, T3	T0, T5	T2, T3	T0, T2, T3, T5	T0, T2, T3, T5	T0, T2, T3, T5	T0, T2, T3, T5	T0, T2, T3, T5	T0, T2, T3, T5	T0, T2, T3, T5				
φ20	30	30	25.7	(stroke length/3) + 18.5	19.5	18	23	4.0	7.0	7.0	7.5	3.5	2.5	7.5	6.5	19.6	21.5	(38°)				
φ25	35	30	30.7	(stroke length/3) + 20.5	22	18	24.4	3.0	6.0	8.0	8.5	4.5	1.5	8.5	5.5	22.1	23.9	(34°)				
φ32	31.5	35	37.7	(stroke length/3) + 19	25.5	18	25	4.0	7.0	9.0	9.5	5.5	2.5	9.5	6.5	25.6	27.6	(30°)				
φ40	40	35	46.7	(stroke length/3) + 18.5	30	18	25.7	6.0	9.0	11.0	11.5	7.5	4.5	11.5	8.5	30.2	32.1	(26°)				
φ50	46	40	57.7	(stroke length/3.6) + 18.5	35.5	18	26.2	8.0	11.5	12.0	13.0	9.0	7.0	13.0	11.0	35.7	37.4	(22°)				
φ63	46	40	71.7	(stroke length/3.6) + 18.5	42.5	18	26.5	8.0	11.5	12.0	13.0	9.0	7.0	13.0	11.0	42.7	44.4	(20°)				

Dimensions (φ 20 to φ 63)

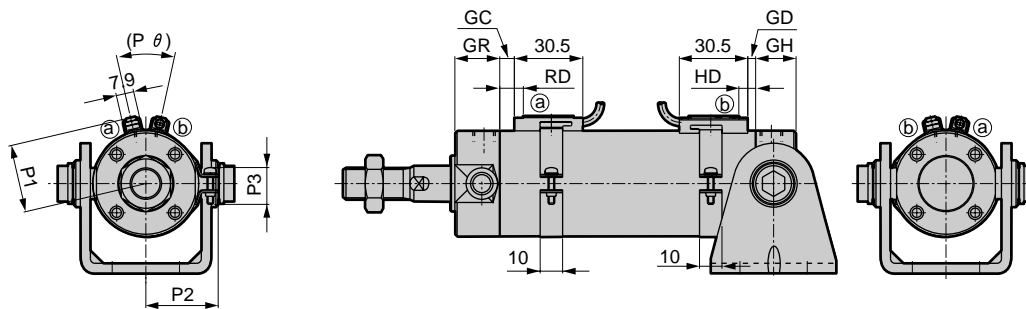


● Head end trunnion type (TB) with bracket (option symbol: B2)

- Switch installation method: rail method



- Switch installation method: band method



Note 1: Needle relevant dimensions and port size of air cushioned types are same as basic type.

Refer to page 230. (20 and 25 mm bore cylinders are different from basic type.)

Note 2: Refer to the page 333 for the RD, HD, and projecting dimensions of the 2-color indicator type, preventive maintenance output type, off delay type, strong magnetic field proof type, T1H/V, T8H/V switch.

Note 3: Refer to page 334 and 335 for accessory dimensions.

Symbol	Head end trunnion type (TB) with bracket (option symbol B2) basic dimensions																				
Bore size (mm)	A	B	C	CG	CH	CP	CR	CS	CT	CV	CW	D	EE (Note 1)	GH	GR	J	KK	LL	MM	QA	QB
φ 20	18	13	15.5	42	28	25	35.4	16	3.2	5.5	10	26	Rc1/8	17	19	12	M8	69	8	12	10
φ 25	22	17	19.5	42	28	30	39.4	20	3.2	5.5	10	31	Rc1/8	17	19	14	M10 x 1.25	69	10	12	10
φ 32	22	17	19.2	48	28	35	49	22	4.5	6.6	10	38	Rc1/8	17	19	18	M10 x 1.25	71	12	12	10
φ 40	30	22	27	56	30	40	58	30	4.5	6.6	10	47	Rc1/8	19	20	25	M14 x 1.5	78	16	13	12
φ 50	35	27	32	64	36	50	72	36	6	9	20	58	Rc1/4	22	25	30	M18 x 1.5	90	20	15	12
φ 63	35	27	32	74	46	60	90	46	8	11	20	72	Rc1/4	22	25	32	M18 x 1.5	90	20	15	12

Symbol	With bellows										Switch installation method: rail method												
Bore size (mm)	T	TA	TJ	TL	TM	TN	TT	WF	X	b	d	s	ℓ				P	GA	GB	HD		RD	
													T0, T5	T2, T3	T0, T5	T2, T3				T0, T5	T2, T3	T0, T5	T2, T3
φ 20	5	114	75	28	39	47.6	8	17	106	30	30	25.7	(stroke length/3) + 18.5	19.5	18	23	4.0	7.0	7.0	7.5			
φ 25	6	119	76	33	43	53	10	18	111	35	30	30.7	(stroke length/3) + 20.5	22	18	24.4	3.0	6.0	8.0	8.5			
φ 32	6	125	79	40	54.5	67.7	12	18	113	31.5	35	37.7	(stroke length/3) + 19	25.5	18	25	4.0	7.0	9.0	9.5			
φ 40	8	146	88	49	65.9	81.1	14	20	130	40	35	46.7	(stroke length/3) + 18.5	30	18	25.7	6.0	9.0	11.0	11.5			
φ 50	11	168	101	60	80	98.6	16	23	150	46	40	57.7	(stroke length/3.6) + 18.5	35.5	18	26.2	8.0	11.5	12.0	13.0			
φ 63	11	173	101	74	98	119.2	18	23	150	46	40	71.7	(stroke length/3.6) + 18.5	42.5	18	26.5	8.0	11.5	12.0	13.0			

Symbol	Switch installation method: band method								
Bore size (mm)	GD		GC	HD		RD	P1	P2	Pθ
	T0, T2, T3, T5			T0, T2, T3, T5					
φ 20	3.5		2.5	7.5		6.5	19.6	21.5	(38°)
φ 25	4.5		1.5	8.5		5.5	22.1	23.9	(34°)
φ 32	5.5		2.5	9.5		6.5	25.6	27.6	(30°)
φ 40	7.5		4.5	11.5		8.5	30.2	32.1	(26°)
φ 50	9.0		7.0	13.0		11.0	35.7	37.4	(22°)
φ 63	9.0		7.0	13.0		11.0	42.7	44.4	(20°)

SCP*2
CMK2
CMA2
SCM
SCG
SCA2
SCS
CKV2
CA/OV2
SSD
CAT
MDC2
MVC
SMD2
MSD*
FC*
STK
ULK*
JSK/M2
JSG
JSC3
USSD
USC
JSB3
LMB
STG
STS/L
LCS
LCG
LCM
LCT
LCY
STR2
UCA2
HCM
HCA
SRL2
SRG
SRM
SRT
MRL2
MRG2
SM-25
CAC3
UCAC
RCC2
MFC
SHC
GLC
Ending

Round shaped cylinder
Standard type