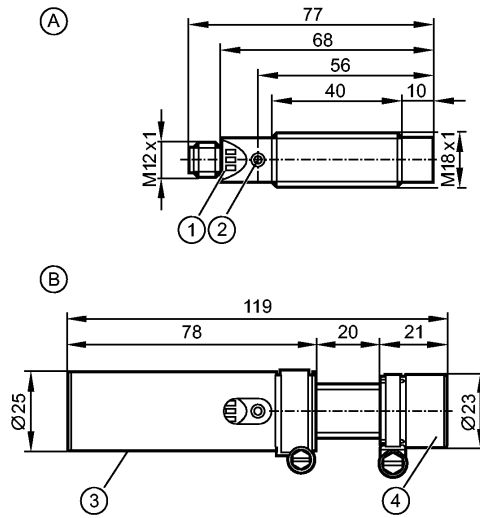


**DI602A**

DGA4012-WPKG/US/3D

Evaluation systems, power supplies



- A: Sensor
- B: sensor with impact protection housing
- 1: 3 LED
- 2: setting pushbutton
- 3: impact protection housing for the connector
- 4: impact protection housing for the sensor



**Product characteristics**

|                                   |
|-----------------------------------|
| Compact speed monitor M18         |
| DGA                               |
| Connector                         |
| ATEX approval                     |
| Group II, category 3D             |
| Gold-plated contacts              |
| Switching output and pulse output |
| Inductive sensor                  |
| Sensing range 8 mm [nf]           |
| non-flush mountable               |

**Application**

|                    |  |
|--------------------|--|
| Application        | Evaluation of rotating and linear movements for speed below the preset value, blockage         |
| Switching function | output is switched during the start-up delay and if (f actual) is greater than (f preset)<br>* |
| Electrical design  | DC PNP   |
| Switching output   | normally open / closed programmable  |

**Electrical data**

|                             |            |
|-----------------------------|------------|
| Nominal voltage [V]         | 10...36 DC |
| Current consumption [mA]    | < 15       |
| Reverse polarity protection | yes        |
| Protection class            | II         |

**Outputs**

|                     |              |
|---------------------|--------------|
| Transistor          |              |
| Current rating [mA] | 150 / 15 **) |
| Voltage drop [V]    | < 2.5        |



## DI602A

DGA4012-WPKG/US/3D

Evaluation systems, power supplies

|                          |        |
|--------------------------|--------|
| Short-circuit protection | pulsed |
| Overload protection      | yes    |

| Range                   |  |
|-------------------------|--|
| Sensing range [mm]      | 8  |
| Operating distance [mm] | 0...6  |
| Correction factors      | mild steel = 1 / stainless steel approx. 0.7 / brass approx. 0.5 / Al approx. 0.4 / Cu approx. 0.3 |

| Measuring / setting range      |                |
|--------------------------------|----------------|
| Setting range [pulses/min.]    | 3...6000       |
| Adjustment of the switch point | Teach function |
| Hysteresis [% of Sp]           | 10             |
| Start-up delay [s]             | 0...15         |

| Reaction times                        |       |
|---------------------------------------|-------|
| Damping frequency (max.) [pulses/min] | 18000 |

| Environment              |  |
|--------------------------|--|
| Ambient temperature [°C] | -20...50, -20...60°C when used outside the ATEX area |
| Protection               | IP 67  |

| Tests / approvals   |   |
|---------------------|---|
| Marking of the unit | Ⓔ II 3D Ex tc IIIC T80°C Dc IP67 U ***) |
| EMC                 | EN 60947-5-2                            |

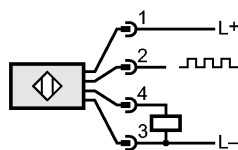
| Safety classification |      |
|-----------------------|------|
| MTTF [a]              | 1051 |

| Mechanical data   |  |
|-------------------|--|
| Mounting          | non-flush mountable                        |
| Housing materials | stainless steel 316Ti / 1.4571; PBT; TPE-U |
| Weight [kg]       | 0.176                                      |

| Displays / operating elements |     |        |
|-------------------------------|-----|--------|
| Operation                     | LED | green  |
| Input pulses                  | LED | green  |
| Output status indication      | LED | yellow |

| Electrical connection |                                     |
|-----------------------|-------------------------------------|
| Connection            | M12 connector; Gold-plated contacts |

### Wiring



- 1: L+
- 2: pulse output (the pulse sequence corresponds to the damping frequency)
- 3: L-
- 4: switching output (adjustable)

| Accessories            |   |
|------------------------|---|
| Accessories (included) | 2 lock nuts; impact protection housing; Mounting clamps |

**DI602A**

DGA4012-WPKG/US/3D

**Evaluation systems, power supplies**

| Remarks               |   |
|-----------------------|---|
| Remarks               | *) factory setting<br>**) switching output / pulse output; 250 / 15 mA when used outside the ATEX area<br>***) only in conjunction with the impact protective housing |
| Pack quantity [piece] | 1   |