

**EAT•N**

**Cutler-Hammer**

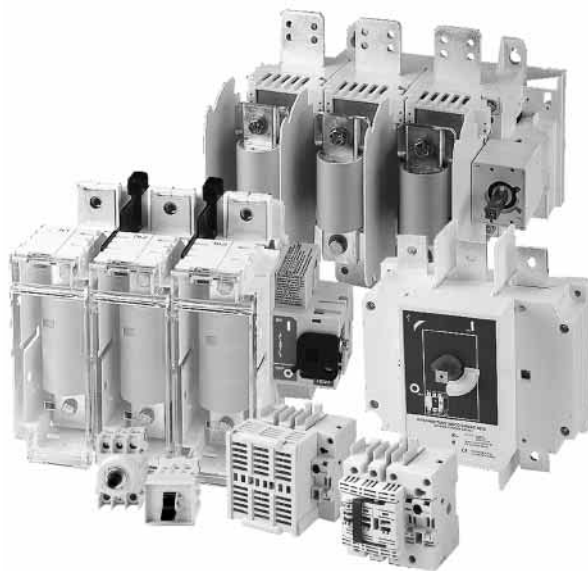
**Rotary Disconnect Switches**

Catalog PG00802001E



## Contents

Description	Page
<b>Rotary Disconnect Switches</b>	
Copyright Information . . . . .	2
Product Description . . . . .	3
Features, Benefits and Functions . . . . .	3
Standards and Certifications . . . . .	3
Options and Accessories . . . . .	3
<b>Product Selection</b>	
Switches . . . . .	5
Accessories . . . . .	6
Handles and Shafts . . . . .	7
Enclosed Switches . . . . .	9
Technical Data and Specifications . . . . .	10
Technical Characteristics . . . . .	18



*Rotary Disconnect Switches Family*

## Dimensions, Weights and Ratings

Dimensions, weights and ratings given in this Product Guide **are approximate and should not be used for construction purposes**. Drawings containing exact dimensions are available upon request. All listed product specifications and ratings are subject to change without notice. Photographs are representative of production units.

## Pricing

All prices and discounts are subject to change without notice. Price changes when they occur are published in the *Cutler-Hammer Price and Availability Digest (PAD)*.

## Technical and Descriptive Publications

This Product Guide contains brief technical data for proper selection of products. Further information is available in the form of technical information publications and illustrated brochures. If additional product information is required, contact your local Cutler-Hammer Products Distributor, call 1-800-525-2000 or visit our web site at [www.cutler-hammer.eaton.com](http://www.cutler-hammer.eaton.com).

## Compliance with OSHA

Eaton Corporation offers no warranty and makes no representation that its product complies with the provisions or standards of the Occupational Safety and Health Act of 1970, or any regulations issued thereunder. In no event shall Eaton be liable for any loss, damage, fines, penalty or expenses arising under said Act.

## Compliance with Nuclear Regulation 10 CFR 21

Eaton's Cutler-Hammer products are sold as commercial grade product not intended for application in facilities or activities licensed by the United States Nuclear Regulatory Commission for atomic purposes, under 10 CFR 21. Further certification will be required for use of the product in a safety-related application in any nuclear facility licensed by the U.S. Nuclear Regulatory Commission.

## WARNING

The installation and use of Eaton's Cutler-Hammer products should be in accordance with the provisions of the U.S. National Electrical Code and/or other local codes or industry standards that are pertinent to the particular end use. Installation or use not in accordance with these codes and standards could be hazardous to personnel and/or equipment.

These Product Guide pages do not purport to cover all details or variations in equipment, nor to provide for every possible contingency to be met in connection with installation, operation or maintenance. Should further information be desired or should particular problems arise which are not covered sufficiently for the purchaser's purposes, the matter should be referred to the local Cutler-Hammer Products Distributor or Sales Office. The contents of this Product Guide shall not become part of or modify any prior or existing agreement, commitment or relationship. The sales contract contains the entire obligation of Eaton's Cutler-Hammer. The warranty contained in the contract between the parties is the sole warranty of Eaton's Cutler-Hammer. Any statements contained herein do not create new warranties or modify the existing warranty.

Copyright ©2002, Eaton Corporation.

## Product Description

- 16 – 1200A non-fusible range.
- 30 – 800A fusible range.
- Compact design to minimize panel space requirements.
- Variable depth — complete range of shafts that can be cut for specific enclosure depths.
- Pistol type or selector type handle for through-the-door operation. Toggle type handle for internal panel mounting.
- Suitable for equipment or machinery as motor disconnects or industrial control panel disconnects.

## Features, Benefits and Functions

- Seven frame sizes to cover 16 – 1200A, 600V applications.
- 3-pole and 4-pole versions.
- Rotary or toggle operation.
- Direct handle or front through-the-door operation.
- Base mounting or DIN rail mounting.
- Welded contact protection.
- Clear ON and OFF indication.
- Full range of handles.
- Padlockable in the OFF position with up to three padlocks.
- Interlocked, defeatable handle prevents easy access in the ON position.
- Wide selection of shafts.
- Visible blade indication (non-fusible C- and V-Frames).

## Standards and Certifications

### M-, R-, W-Frames

- UL 508
- cUL
- UL, cUL File No. E173959
- IEC 60 947-3
- CE

### C-, V-, S-, F-Frames

- UL 98
- CSA
- IEC 60 947-3

## Options and Accessories

- Neutral modules.
- Auxiliary contacts.
- 4th pole modules.
- Protective earth modules.
- Terminal shrouds/shields.
- Enclosed Switches.



**M-Frame**



**R-Frame**



**W-Frame**



**C-Frame  
Non-Fusible**



**C-Frame  
Fusible**



**V-Frame  
Fusible**



**V-Frame  
Non-Fusible**



**S-Frame  
Non-Fusible**



**F-Frame  
Fusible**

## Padlocking

Handles can be padlocked in the OFF position with up to three padlocks. Meets OSHA requirement for lockout/tagout procedures.

For safety reasons, the door cannot be opened when the handle is padlocked.

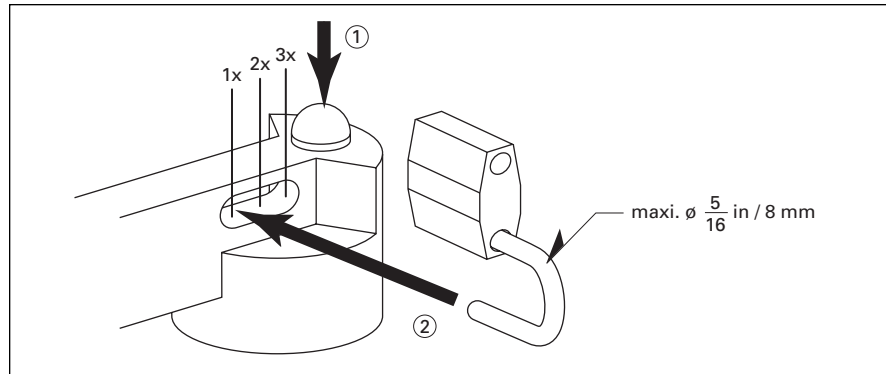


Figure 1. Padlocking Capability (Type G Pistol Handle is Shown)

## Door Interlock in ON Position

The handles allow opening of the door in the OFF position only. In the ON position, the door cannot be opened.

This interlocking can however be bypassed by authorized personnel (defeater option on handle) for maintenance, testing or commissioning.

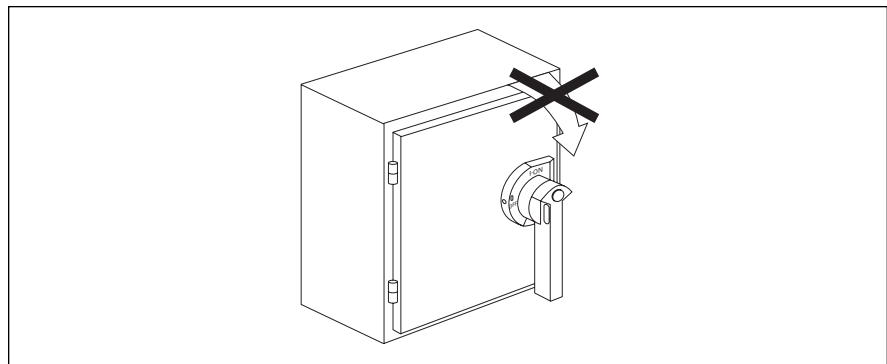


Figure 2. Door Interlocking

## Defeater

The defeat function allows qualified personnel to bypass the door interlock when the switch is in the ON position by means of a tool.

This exclusive design is also available in a 4 and 4X rating.

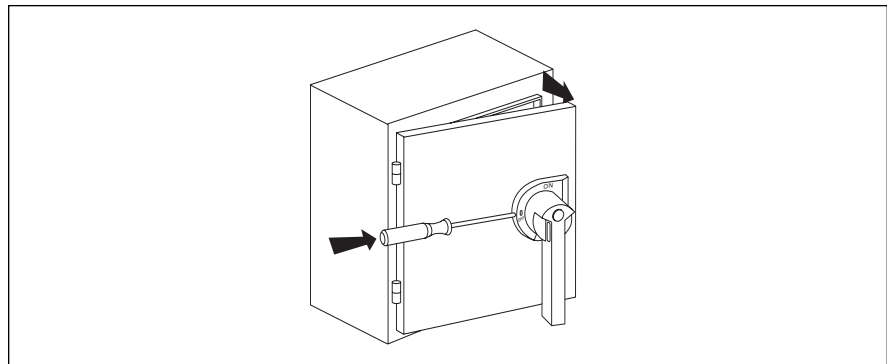


Figure 3. Interlocking Defeater

## Toggle Option

Available for internal panel mounting.



Toggle Operated Switch  
(Shown with Optional Toggle Cover Plate)

**Product Selection — Switches**

**Catalog Ordering Information**

When ordering specify:

- Catalog number of switch.
- Catalog number of operating handle.
- Catalog number of required shaft.
- Catalog number of (optional) accessories.

**Table 1. Non-Fusible Switches — UL 508 and UL 98**

Ampere Rating	Maximum 3-Phase Horsepower Rating			Catalog Number
	240V	480V	600V	
<b>Base Mounted Rotary Switch M-Frame with Blue Collar</b>				
16	2	7.5	7.5	C362NM16
20	3	7.5	10	C362NM20
25	5	10	15	C362NM25
<b>Back/Door Mounted Rotary Switch M-Frame</b>				
16	2	7.5	7.5	C362NM16D
20	3	7.5	10	C362NM20D
25	5	10	15	C362NM25D
<b>Base Mounted Rotary Switch R-, W-Frames with Brass Collar</b>				
30	7.5	15	25	C362NR30
30	7.5	15	25	C462NR30 (4-pole)
40	10	20	30	C362NR40
40	10	20	30	C462NR40 (4-pole)
60	15	30	40	C362NW60
80	20	40	50	C362NW80
100	25	50	60	C362NW100
125	25	50	60	C362NW125
<b>Base Mounted Toggle Switch R-, W-Frames</b>				
30	7.5	15	25	C362TR30
30	7.5	15	25	C462TR30 (4-pole)
40	10	20	30	C362TR40
40	10	20	30	C462TR40 (4-pole)
60	15	30	40	C362TW60
80	20	40	50	C362TW80
100	25	50	60	C362TW100
125	25	50	60	C362TW125
<b>Base Mounted Rotary Switch C-Frame</b>				
30	7.5	15	20	C362UC30
<b>Base Mounted Rotary Switch V-Frame</b>				
60	15	30	50	C362UV60
100	30	60	75	C362UV100
200	60	125	150	C362UV200
<b>Base Mounted Rotary Switch S-Frame</b>				
400	125	350	250	C362US400
600	200	400	350	C362US600
800	250	500	500	C362US800
1000	250	500	500	C362US1000
1200	250	500	500	C362US1200

**Table 2. Fusible Switches — UL 98**

Ampere Rating	Maximum 3-Phase Horsepower Rating			Catalog Number
	240V	480V	600V	
<b>Base Mounted Fusible Switch C-Frame</b>				
30	7.5	15	20	C363UC30CT (CC)
30	7.5	15	20	C363UC30JT (J)
<b>Base Mounted Fusible Switch V-Frame</b>				
30	7.5	15	20	C363UV30C
30	7.5	15	20	C363UV30J
60	15	30	50	C363UV60J
100	30	60	75	C363UV100J
200	60	125	150	C363UV200J
400	125	250	350	C363UV400J
30	7.5	15	20	C363UV30CT
30	7.5	15	20	C363UV30JT
60	15	30	50	C363UV60JT
100	30	60	75	C363UV100JT
200	60	125	150	C363UV200JT
400	125	250	350	C363UV400JT
<b>Base Mounted Fusible Switch F-Frame</b>				
600	250	500	500	C363UF600J
800	250	500	500	C363UF800L

**Note:** "T" suffix denotes test position is provided. Test handle is required only if test function is required.



## Product Selection — Accessories

**Table 3. UL 508 Accessories — M-, R-, W-Frames**

Description	Catalog Number	
Back/Door 4th Pole Module for M-Frame	<b>CM16FP</b> <b>CM20FP</b> <b>CM25FP</b>	
Base Mounted 4th Pole Module for M-Frame	<b>CM16BP</b> <b>CM20BP</b> <b>CM25BP</b>	
Toggle Cover Plates	For use with C362TR30 & TR40 For use with C362TW60 – TW125 For use with C462TR30 & TR40	<b>CRP3</b> <b>CWP3</b> <b>CRP4</b>
Auxiliary Contacts Kit (Holder and Contact)	1NO/1NC 3-Pole M-Frame (Base Mounted) 1NO/1NC 3-Pole M-Frame (Door Mounted) 1NO 3-Pole R-Frame 1NO 3-Pole W-Frame 1NO 4-Pole R-Frame	<b>CMAC</b> <b>CMACD</b> <b>CRAC3</b> ① <b>CWAC3</b> ① <b>CRAC4</b> ①
Auxiliary Contacts (Additional Contacts)	1NO 3-, 4-Pole R-, W-Frames 1NC 3-, 4-Pole R-, W-Frames	<b>CRAB</b> ① <b>CRAA</b> ①
Unswitched Neutral for M-Frame Base Mounted Protective Earth Module for M-Frame Base Mounted Unswitched Neutral M-Frame Back/Door Mounted Protective Earth Module M-Frame Back/Door Mounted	<b>CNMNB</b> <b>CNMPB</b> <b>CNMNF</b> <b>CNMFP</b>	
Shaft Extension Support	<b>C362SS1</b>	13.00
Replacement Brass Collar R- and W-Frames Replacement Blue Collar M-Frame	<b>CRC</b> <b>CNMC</b>	
Door Mounting Kit R- and W-Frames Rotary Switches	<b>CTRFC</b>	
Terminal Shroud 3-Pole M-Frame Terminal Shroud 4th Pole M-Frame	<b>CM35</b> <b>CM45</b>	

① The mechanism is reversed on these contacts.

**Table 4. UL 98 Accessories — C-, S-, V-, F-Frames**

Description	Catalog Number	
Auxiliary Contact Holders	V-Frame (for 1 – 8) C-Frame (for 5 – 8) ② S-Frame (for 1 – 4)	<b>CUVU</b> <b>CUCU</b> <b>CUSU</b>
Auxiliary Contacts	1 NO, Type U 1 NC, Type U, C-, V-, S- & F-Frames	<b>CUSAA</b> <b>CUSAB</b>
	1 NO/NC, Type S-, V-Frames 2 NO/NC, Type S-, V-Frames	<b>CUVAC</b> <b>CUVAD</b>
	1 NO/NC, Type ST for Fusible, V-Frame w/Test 2 NO/NC, Type ST for Fusible, V-Frame w/Test 1 NO/NC, Type MS, F-Frame 2 NO/NC, Type MS, F-Frame	<b>CUVXC</b> <b>CUVXD</b> <b>CUFAC</b> <b>CUVAD</b>
Line-Side Terminal Shrouds for Non-Fusible V- and S-Frames ③	④ 3-Pole, V-Frame (200A) 3-Pole, for Non-Fusible S-Frame (400 – 600A) 3-Pole, for Non-Fusible S-Frame (800 – 1200A)	<b>C362ATS1</b> <b>CUV200T</b> <b>CUS600T</b> <b>CUS1200T</b>
Line-Side Terminal Shrouds for Fusible V- and F-Frames ⑤	3-Pole, for Fusible V-Frame (100A) 3-Pole, V-Frame (200A) 3-Pole, for Fusible V-Frame (400A) 3-Pole, for Fusible F-Frame (600 & 800A)	<b>CUV100T</b> <b>CUV200T</b> <b>CUV400T</b> <b>CUF800T</b>
Shorting Links for 3 Poles Fusible, V- and F-Frames ⑥	V-Frame (30A) V-Frame (60A) V-Frame (100A) V-Frame (200A) V-Frame (400A) F-Frame (600 & 800A)	<b>CUV30SL</b> <b>CUV60SL</b> <b>CUV100SL</b> <b>CUV200SL</b> <b>CUV400SL</b> <b>CUF800SL</b>
Terminal Lugs for Non-Fusible and Fusible V-, S- and F-Frames, for line or load side ⑦	1 Wire/lug, Wire Size 12-2/0, for Non-Fusible V-Frame (100A) ⑧ 1 Wire/lug, Wire Size #6-3/0, V-Frame (200A) ⑧ 2 Wires/lug, Wire Size 2-600, V-, S- & F-Frames (400 & 600A) ⑧ 3 Wires/lug, Wire Size 2-600, S- & F-Frames (800 – 1000A) ⑧ 2 Wires/lug, Wire Size 2-600, S-Frame (1200A) ⑧	<b>CUV100LN</b> <b>CUV200LN</b> <b>CUS600LN</b> <b>CUS1000LN</b> <b>CUS1200LN</b>

② C-Frames hold 1 – 4 auxiliary contacts without holder.

③ Load-side terminal shrouds provided as standard on all ratings. Line-side terminal shrouds standard on C- and V-Frames up through 100A.

④ Discontinued. Standard on C- and V-Frames up through 100A.

⑤ Load-side terminal shrouds provided as standard on all ratings. Line-side terminal shrouds standard on fusible switches up through 60A.

⑥ Kit of 3.

⑦ Standard on Fusible up through 60A and Non-Fusible up through 100A.

⑧ Kit of 3.







⑨ Kit of 6.

Discount Symbol ..... **22-CD**

April 2002

**Product Selection — Handles and Shafts**





**Table 5. Handles and Shafts**

								
<i>Black Selector Handle</i>		<i>Red/Yellow Selector Handle</i>		<i>Selector Shafts</i>				
NEMA Rating	Defeatable	Padlockable	Color	Operation	IEC Type	Dimensions		Catalog Number
						Inches	mm	
<b>Selector Handle for Type CSSA — Shaft and M-, R- and W-Frames or CSCSA — Shaft and C-Frames</b>								
1	No	No	Black	ON/OFF	IP54	①	—	CSBR5
1, 3R, 12, 4, 4X	No	Yes	Red/Yellow	ON/OFF, I/O	IP65	—	—	CSYR6
1, 3R, 12, 4, 4X	No	Yes	Black	ON/OFF, I/O	IP65	—	—	CSBR6
<b>Rotary Switch Selector Shaft 5 x 5 mm (For Selector Handle and M-, R- and W-Frames)</b>								
						2.2	55	CSSA055
						4.3	110	CSSA110
						5.9	150	CSSA150
						7.1	180	CSSA180
						7.9	200	CSSA200
						11.8	305	CSSA300
<b>Rotary Switch Selector Shaft 5 x 5 mm (For Selector Handle and C-Frames)</b>								
						4.7	120	CSCSA120
						7.9	200	CSCSA200
						12.6	320	CSCSA320
						15.7	400	CSCSA400
								
<i>Black Pistol Handle (Type D)</i>		<i>Red/Yellow Pistol Handle (Type D)</i>		<i>Type D Pistol Shafts</i>				
NEMA Rating	Defeatable	Padlockable	Color	Operation	IEC Type	Dimensions		Catalog Number
						Inches	mm	
<b>Type D Pistol Handle (For Use with CPDSA — Shafts and M-, R- and W-Frames)</b>								
1, 3R, 12	No	Yes	Black	ON/OFF, I/O	IP54	①	—	CPBR5N
1, 3R, 12	No	Yes	Red/Yellow	ON/OFF, I/O	IP54	—	—	CPYR5N
1, 3R, 12	Yes	Yes	Black	ON/OFF, I/O	IP54	—	—	CPBR5D
1, 3R, 12	Yes	Yes	Red/Yellow	ON/OFF, I/O	IP54	—	—	CPYR5D
<b>Type D Shafts 5 x 5 mm (For Use with Type D Pistol Handles and M-, R- and W-Frames)</b>								
						4.7	120	CPDSA120
						7.9	200	CPDSA200
						12.6	320	CPDSA320
						15.7	400	CPDSA400
<b>Direct Handle M-Frame (For Direct Mounting — No Separate Shaft Required)</b>								
1, 3R, 12	No	Yes	Black	ON/OFF	IP54	①	—	CNMBH
<b>Direct Handle R-, W-Frames (For Direct Mounting — No Separate Shaft Required)</b>								
1, 3R, 12	No	Yes	Black	ON/OFF	IP54	①	—	CDRR3
1, 3R, 12	No	Yes	Black	ON/OFF	IP54	—	—	CDRW3
1, 3R, 12	No	Yes	Black	ON/OFF	IP54	—	—	CDRR4

① Please refer to Page 17.



Table 5. Handles and Shafts (Continued)

NEMA Rating	Defeatable	Padlockable	Color	Operation	IEC Type	Dimensions		Catalog Number
						Inches	mm	
  								
<p><b>Black Pistol Handle (Type G)</b>                      <b>Red/Yellow Pistol Handle (Type G)</b>                      <b>Type G Pistol Shafts</b></p>								
<b>Type G Pistol Handle (For Use with M-, R-, W- and C-Frames with 5 x 5 Shaft and V-Frame Below 100A with 10 x 10 Shaft)</b>								
1, 3R, 12	Yes	Yes	Black	ON/OFF, I/O	IP54	①	—	CPBR5
1, 3R, 12	Yes	Yes	Red/Yellow	ON/OFF, I/O	IP54	—	—	CPYR5
1, 3R, 12, 4, 4X	Yes	Yes	Black	ON/OFF, I/O	IP65	—	—	CPBW6
1, 3R, 12, 4, 4X	Yes	Yes	Red/Yellow-Black	ON/OFF, I/O	IP65	①	—	CPYW6
1, 3R, 12, 4, 4X	Yes	Yes	Black	TEST/ON/OFF	IP65	—	—	CPBW6T
1, 3R, 12, 4, 4X	Yes	Yes	Red/Yellow	TEST/ON/OFF	IP65	—	—	CPYW6T
<b>Type GL Long Pistol Handle (For Use with V-Frame 100A and Above with 10 x 10 Shaft)</b>								
1, 3R, 12	Yes	Yes	Black	ON/OFF, I/O	IP54	①	—	CPBVR5
1, 3R, 12	Yes	Yes	Red/Yellow	ON/OFF, I/O	IP54	—	—	CPYVR5
1, 3R, 12, 4, 4X	Yes	Yes	Black	ON/OFF, I/O	IP65	—	—	CPBVW6
1, 3R, 12, 4, 4X	Yes	Yes	Red/Yellow	ON/OFF, I/O	IP65	—	—	CPYVW6
1, 3R, 12	Yes	Yes	Black	TEST/ON/OFF	IP65	—	—	CPBVW6T
1, 3R, 12	Yes	Yes	Red/Yellow	TEST/ON/OFF	IP65	—	—	CPYVW6T
<b>Type G Shafts 5 x 5 mm (For Use with Type G Pistol Handle and M-, R- and W-Frames)</b>								
						4.7	120	CPGSA120
						7.9	200	CPGSA200
						12.6	320	CPGSA320
						15.7	400	CPGSA400
<b>Type G Shafts 5 x 5 mm (For Use with Type G Pistol Handle and C-Frames)</b>								
						4.7	120	CPGCSA120
						7.9	200	CPGCSA200
						12.6	320	CPGCSA320
						15.7	400	CPGCSA400
<b>Type G Shafts 10 x 10 mm (For Use with Type G and GL Pistol Handles and V-Frames)</b>								
						7.9	200	CPGSB200
						12.6	320	CPGSB320
						15.7	400	CPGSB400
								
<b>Pistol Handle (Type H)</b>								
NEMA Rating	Defeatable	Padlockable	Color	Operation	IEC Type	Dimensions		Catalog Number
						Inches	mm	
<b>Type H Pistol Handle (For Use with S-Frames with 15 x 15 Shaft)</b>								
1, 3R, 4, 4X, 12	Yes	Yes	Black	ON/OFF, I/O	IP65	①	—	CPBSW6D
1, 3R, 4, 4X, 12	Yes	Yes	Red/Yellow	ON/OFF, I/O	IP65	—	—	CPYSW6D
1, 3R, 4, 4X, 12	No	Yes	Black	ON/OFF, I/O	IP65	—	—	CPBSW6N
1, 3R, 4, 4X, 12	No	Yes	Red/Yellow	ON/OFF, I/O	IP65	—	—	CPYSW6N
<b>Type H Pistol Handle (For Use with F-Frames with 15 x 15 Shaft)</b>								
1, 3R, 4, 4X, 12	Yes	Yes	Black	ON/OFF, I/O	IP65	①	—	CPBFW6D
1, 3R, 4, 4X, 12	Yes	Yes	Red/Yellow	ON/OFF, I/O	IP65	—	—	CPYFW6D
1, 3R, 4, 4X, 12	No	Yes	Black	ON/OFF, I/O	IP65	—	—	CPBFW6N
1, 3R, 4, 4X, 12	No	Yes	Red/Yellow	ON/OFF, I/O	IP65	—	—	CPYFW6N
<b>Type H Shafts 15 x 15 mm (For Use with Type H Pistol Handle and S- and F-Frames)</b>								
						7.9	200	CPHSC200
						15.7	400	CPHSC400

① Please refer to Page 17.

**Enclosed Switches**

**Specifications**

- 16 – 125A.
- 600V, 3-, 4-pole non-fusible device.
- Accepts auxiliary contacts.
- Meets NEC Article 430.
- Ground lug connection provided.
- UL listed under section 508, and cUL listed, CSA pending.



*Enclosed Rotary Switches*

**Table 6. Non-Fusible**

Ampere Rating	Maximum Horsepower Ratings — Volts AC					NEMA 1 Enclosure Indoor		NEMA 3R/12 Enclosure Dust-tight/Rainproof		NEMA 4X Enclosure Corrosion Resistant Stainless Steel		NEMA 4X Enclosure Corrosion Resistant Non-Metallic	
	3-Phase AC					Catalog Number		Catalog Number		Catalog Number		Catalog Number	
	200V	208V	240V	480V	600V								

**Non-Fusible 3-Pole, 600V AC**

16	—	—	2	7.5	7.5	DR3016UG		DR3016UD		DR3016UW		DR3016UX	
25	—	—	5	10	15	DR3025UG		DR3025UD		DR3025UW		DR3025UX	
30	—	—	7.5	15	25	DR3030UG		DR3030UD		DR3030UW		DR3030UX	
40	10	10	10	20	30	DR3040UG		DR3040UD		DR3040UW		DR3040UX	
60	—	—	15	30	40	DR3060UG		DR3060UD		DR3060UW		DR3060UX	
80	15	15	20	40	50	DR3080UG		DR3080UD		DR3080UW		DR3080UX	
100	—	—	25	50	60	DR3100UG		DR3100UD		DR3100UW		DR3100UX	
125	—	—	30	60	75	DR3125UG		DR3125UD		DR3125UW		DR3125UX	

**Non-Fusible 4-Pole, 600V AC**

16	—	—	2	7.5	7.5	DR4016UG		DR4016UD		DR4016UW		DR4016UX	
25	—	—	5	10	15	DR4025UG		DR4025UD		DR4025UW		DR4025UX	
30	—	—	7.5	15	25	DR4030UG		DR4030UD		DR4030UW		DR4030UX	
40	—	—	10	20	30	DR4040UG		DR4040UD		DR4040UW		DR4040UX	

**Note:** See **Page 6** for auxiliary contact kits. Contact the Safety Switch Flex Center (1-888-329-9272) for availability of higher ampere non-fusible/fusible ratings as well as other special features or accessories. Contact Cutler-Hammer for horsepower ratings not shown.

### Technical Data and Specifications

#### Dimensions in Inches (mm)

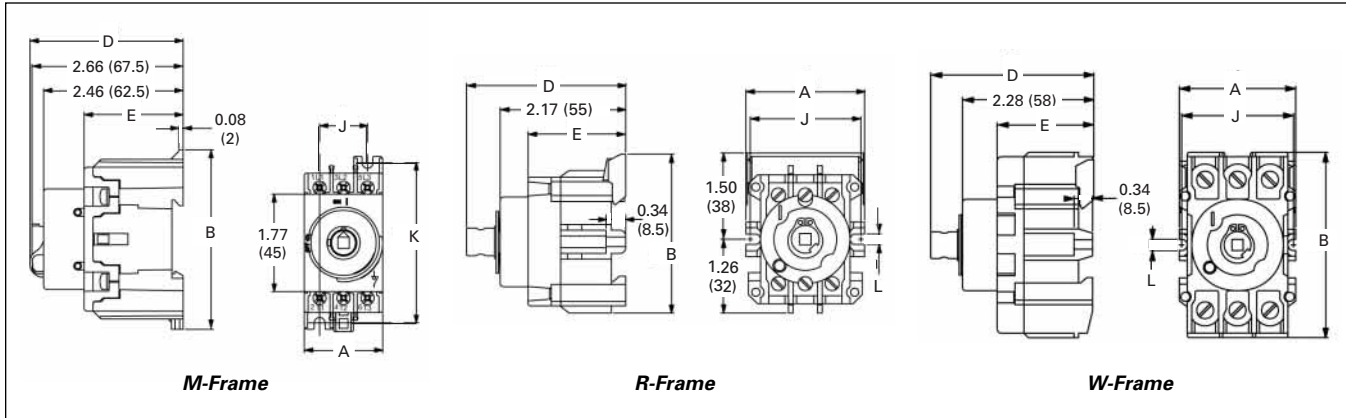


Figure 4. M-, R- and W-Frames

Table 7. M-, R- and W-Frames — Dimensions in Inches (mm)

Frame	Ampere Rating	A	B	D	E	J	K	L
M	16 – 25	1.42 (36.1)	3.15 (80.0)	2.75 (69.9)	1.75 (44.5)	0.87 (22.1)	2.91 (73.9)	—
R	30 – 40	2.00 (50.8)	2.75 (69.9)	2.68 (68.1)	1.65 (41.9)	1.89 (48.0)	—	0.17 (4.3)
W	60 – 125	2.09 (53.1)	3.35 (85.1)	2.88 (73.2)	1.69 (42.9)	2.05 (52.1)	—	0.17 (4.3)

**Note:** Frame is designated by the sixth character in the switch catalog number.

April 2002

Dimensions in Inches (mm)

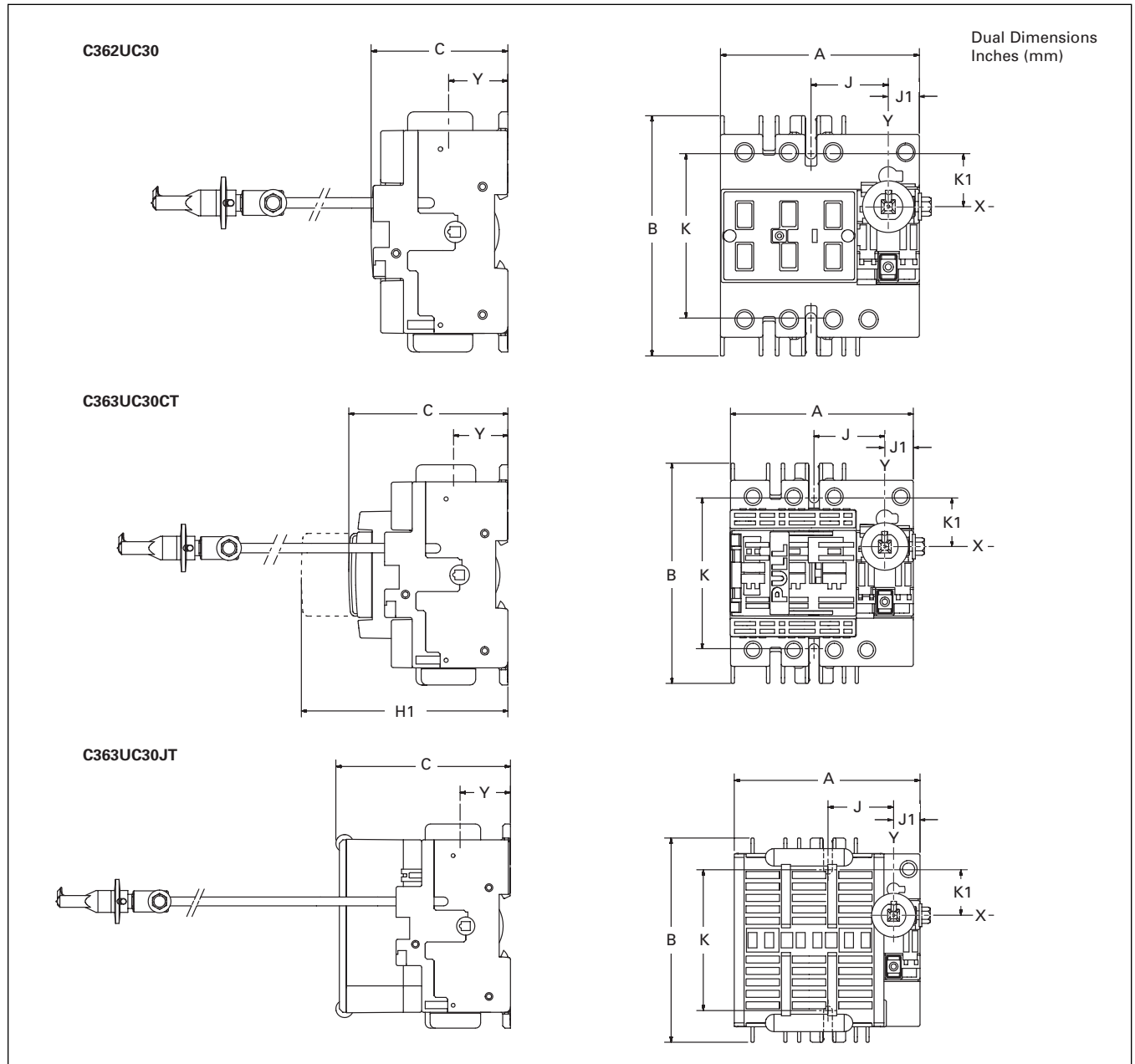


Figure 5. C-Frames

Table 8. C-Frames — Dimensions in Inches (mm)

Catalog Number	No. of Poles	A	B	C	H	H1	H2	H3	J	J1	K	K1	Y
C362UC30	3-Pole	3.78 (96.0)	4.56 (115.8)	2.59 (65.8)	—	—	—	—	1.47 (37.3)	0.59 (15.0)	3.13 (79.5)	1.00 (25.4)	1.12 (28.4)
C363UC30CT	3-Pole	3.78 (96.0)	4.56 (115.8)	3.28 (83.3)	—	5.19 (131.8)	—	—	1.47 (37.3)	0.59 (15.0)	3.13 (79.5)	1.00 (25.4)	1.12 (28.4)
C363UC30JT	3-Pole	4.13 (104.9)	4.56 (115.8)	3.89 (98.8)	—	—	—	—	1.47 (37.3)	0.59 (15.0)	3.30 (83.8)	1.00 (25.4)	1.12 (28.4)

Dimensions in Inches (mm)

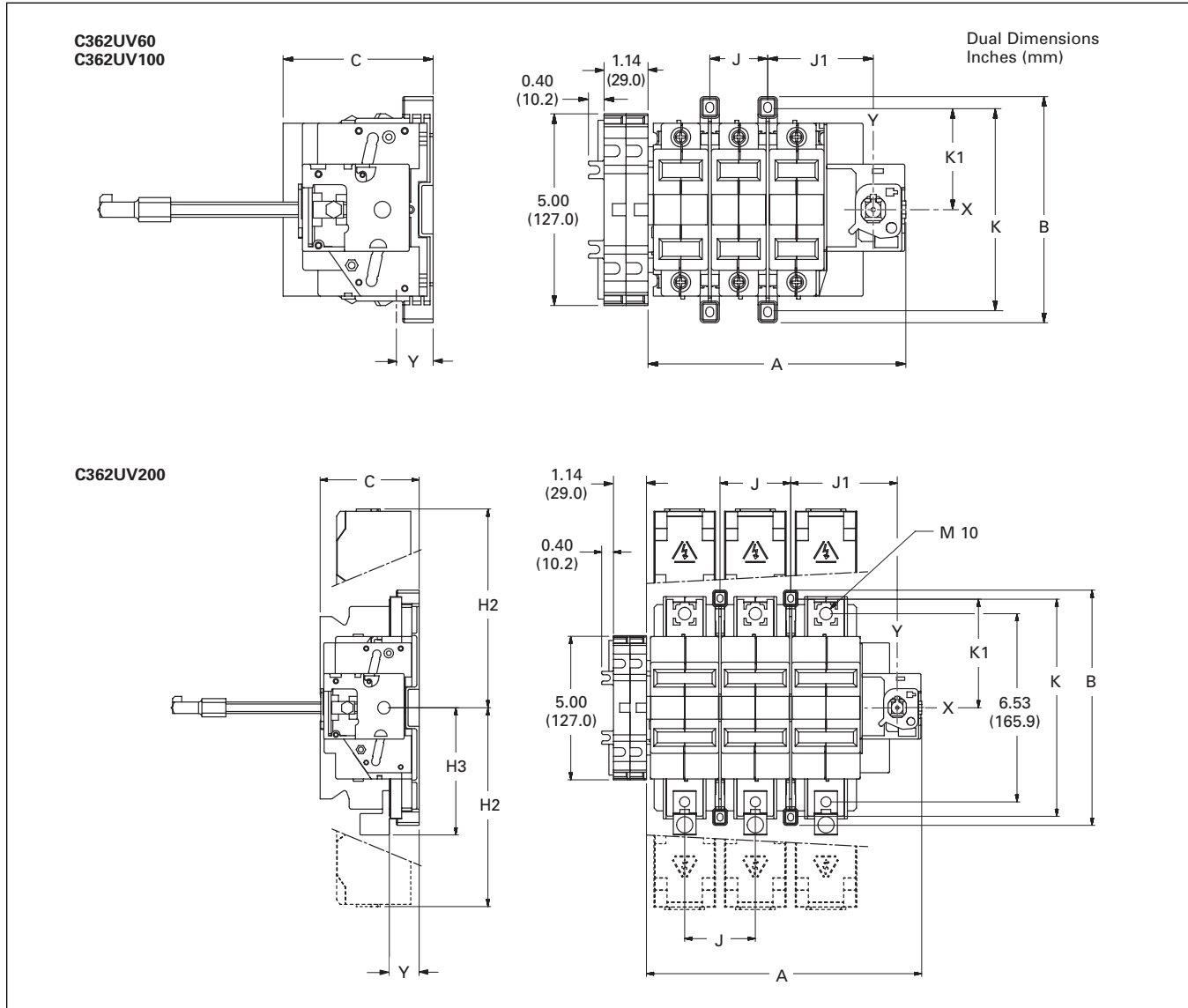


Figure 6. Non-Fusible V-Frames

Table 9. Non-Fusible V-Frames — Dimensions in Inches (mm)

Catalog Number	No. of Poles	A	B	C	H	H1	H2	H3	J	J1	K	K1	Y
C362UV60	3-Pole	6.69 (169.9)	5.87 (149.1)	3.89 (98.8)	—	—	—	—	1.50 (38.1)	2.75 (69.9)	5.25 (133.4)	2.63 (66.8)	0.95 (24.1)
C362UV100	3-Pole	6.69 (169.9)	5.87 (149.1)	3.89 (98.8)	—	—	—	—	1.50 (38.1)	2.75 (69.9)	5.25 (133.4)	2.63 (66.8)	0.95 (24.1)
C362UV200	3-Pole	9.52 (241.8)	8.13 (206.5)	3.42 (86.9)	—	—	6.87 (174.5)	4.39 (111.5)	2.44 (62.0)	3.68 (93.5)	7.50 (190.5)	3.74 (95.0)	0.95 (24.1)

April 2002

Dimensions in Inches (mm)

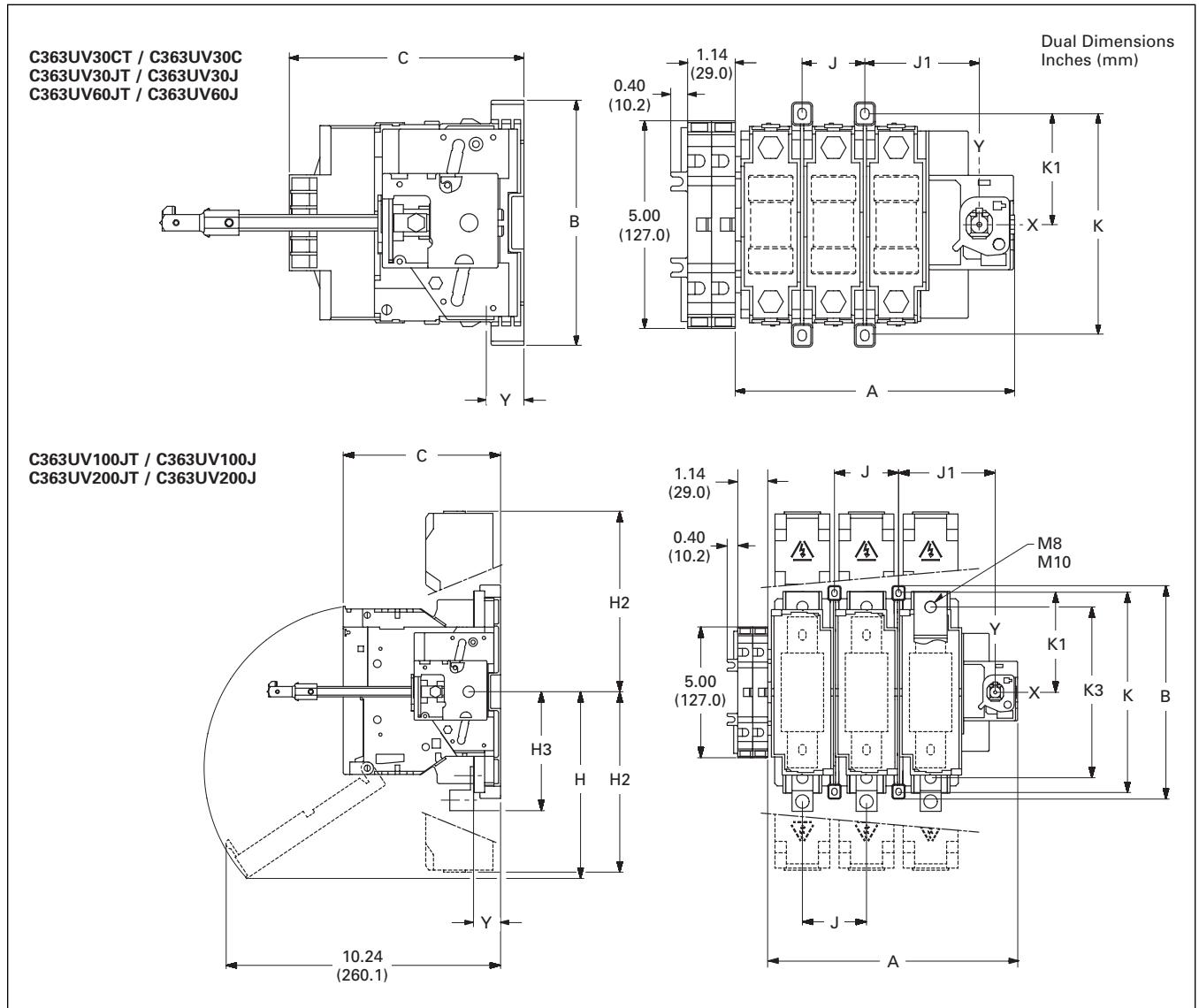


Figure 7. Fusible V-Frames

Table 10. Fusible V-Frames — Dimensions in Inches (mm)

Catalog Number	No. of Poles	A	B	C	H	H2	H3	J	J1	K	K1	K3	Y
C363UV30CT C363UV30C	3-Pole	5.63 (143.0)	5.87 (149.1)	3.89 (98.8)	—	—	—	1.14 (29.0)	2.38 (60.5)	5.31 (134.9)	2.63 (66.8)	—	1.21 (30.7)
C363UV30JT C363UV30J	3-Pole	6.72 (170.7)	5.87 (149.1)	5.62 (142.7)	—	—	—	1.50 (38.1)	2.75 (69.9)	5.31 (134.9)	2.63 (66.8)	—	0.95 (24.1)
C363UV60JT C363UV60J	3-Pole	6.72 (170.7)	5.87 (149.1)	5.62 (142.7)	—	—	—	1.50 (38.1)	2.75 (69.9)	5.31 (134.9)	2.63 (66.8)	—	0.95 (24.1)
C363UV100JT C363UV100J	3-Pole	8.26 (209.8)	7.19 (182.6)	5.63 (143.0)	4.06 (103.1)	5.27 (133.9)	3.66 (93.0)	2.05 (52.1)	3.28 (83.3)	6.61 (167.9)	3.28 (83.3)	5.55 (141.0)	1.00 (25.4)
C363UV200JT C363UV200J	3-Pole	9.44 (239.8)	8.13 (206.5)	6.00 (152.4)	7.27 (184.7)	6.87 (174.5)	4.79 (121.7)	2.44 (62.0)	3.68 (93.5)	7.56 (192.0)	3.75 (95.3)	6.53 (165.9)	1.03 (26.2)



### Dimensions in Inches (mm)

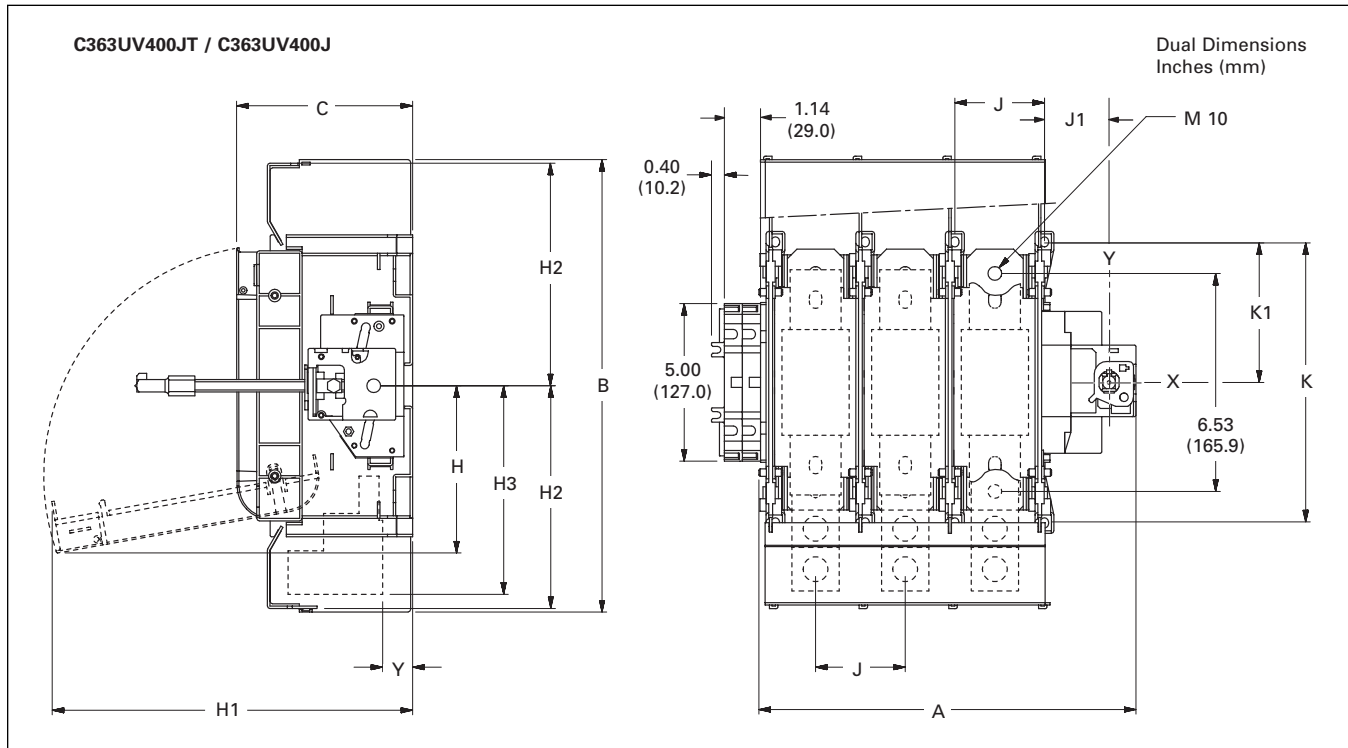


Figure 8. Fusible V-Frames (Continued)

Table 11. Fusible V-Frames — Dimensions in Inches (mm)

Catalog Number	No. of Poles	A	B	C	H	H1	H2	H3	J	J1	K	K1	Y
C363UV400JT/ C363UV400J	3-Pole	11.93 (303.0)	14.31 (363.5)	5.56 (141.2)	5.28 (134.1)	11.41 (289.8)	7.04 (178.8)	6.59 (167.4)	2.84 (72.1)	2.04 (51.8)	8.83 (224.3)	4.41 (112.0)	1.06 (26.9)

April 2002

Dimensions in Inches (mm)

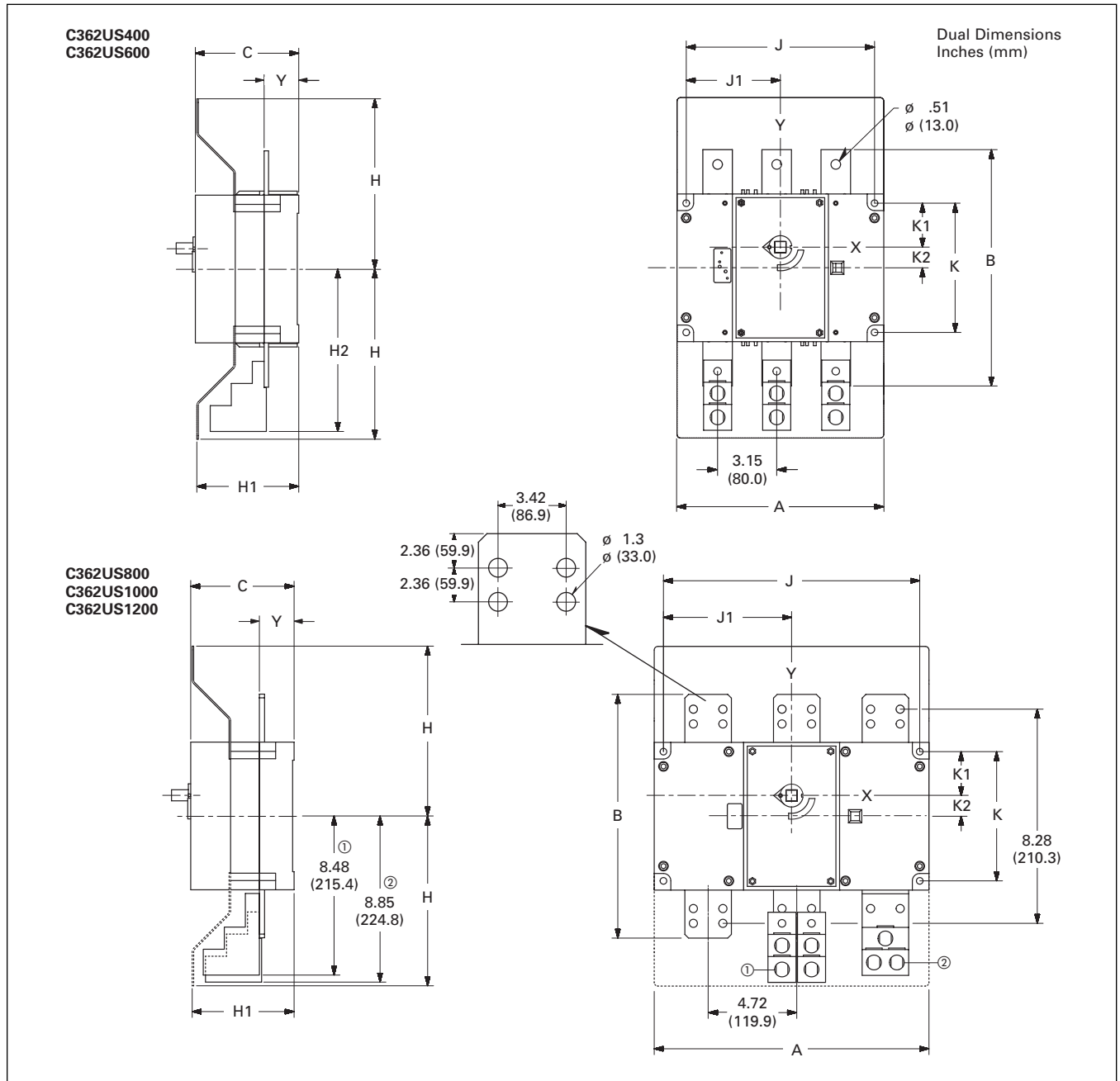


Figure 9. Non-Fusible S-Frames

- ① C362US1200 when used with optional terminal lugs CUS1200LN.
- ② C362US800 and C362US1000 and when used with optional terminal lugs CUS1000LN.

Table 12. Non-Fusible S-Frames — Dimensions in Inches (mm)

Catalog Number	No. of Poles	A	B	C	H	H1	H2	J	J1	K	K1	K2	Y
C362US400 C362US600	3-Pole	11.02 (279.9)	12.60 (320.0)	5.51 (140.0)	9.05 (229.9)	5.43 (137.9)	8.66 (220.0)	11.04 (280.4)	5.00 (127.0)	6.88 (174.8)	2.34 (59.4)	1.10 (27.9)	1.85 (47.0)
C362US800 C362US1000 C362US1200	3-Pole	14.64 (371.9)	13.00 (330.2)	5.51 (140.0)	9.05 (229.9)	5.43 (137.9)	—	13.66 (347.0)	6.83 (173.5)	6.88 (174.8)	2.34 (59.4)	1.10 (27.9)	1.85 (47.0)

Dimensions in Inches (mm)

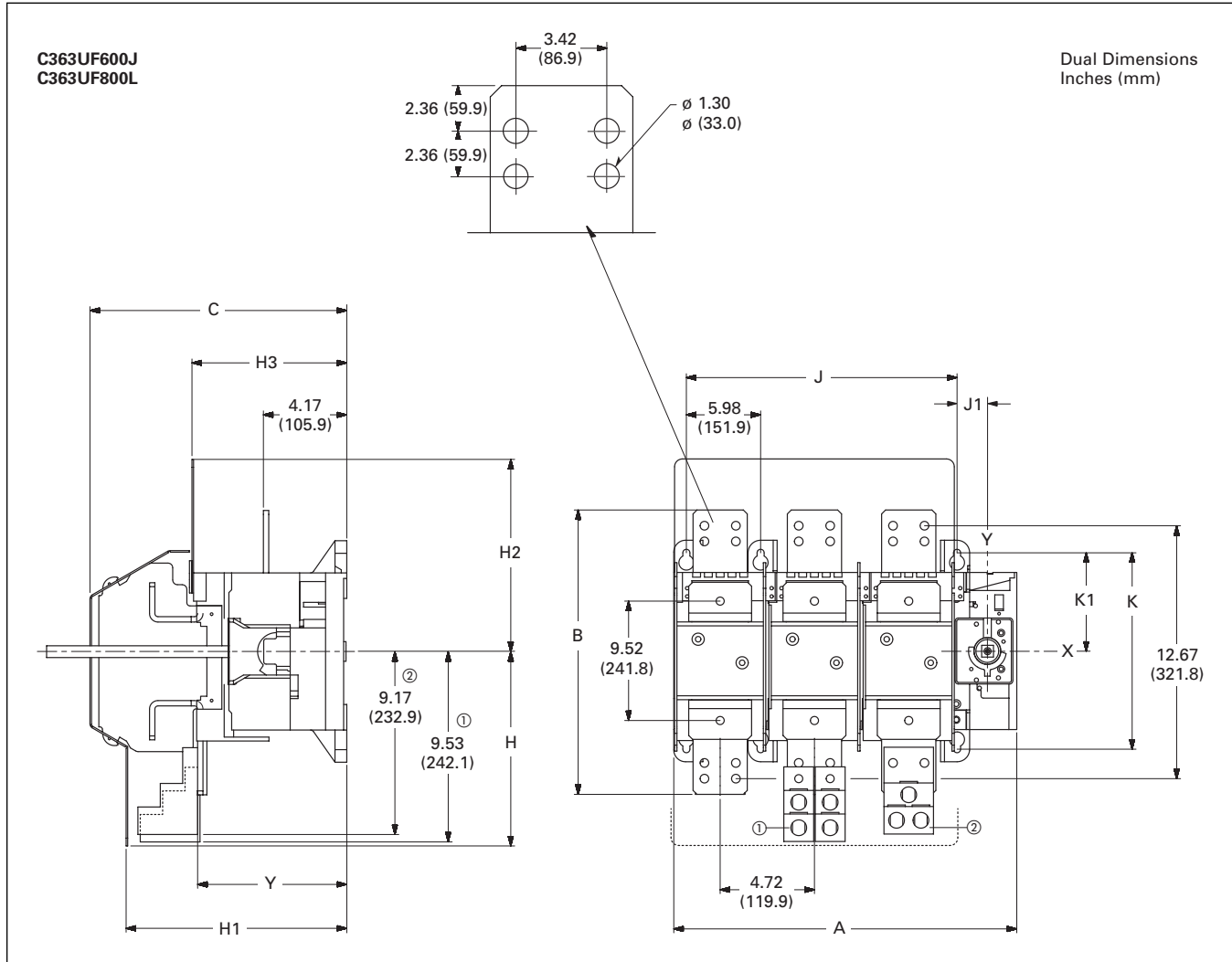


Figure 10. Fusible F-Frames

- ① C363UF800L when used with optional terminal lugs CUS1000LN.
- ② C363UF600J when used with optional terminal lugs CUS600LN.

Table 13. Fusible F-Frames — Dimensions in Inches (mm)

Catalog Number	No. of Poles	A	B	C	H	H1	H2	H3	J	J1	K	K1	Y
C363UF600J C363UF800L	3-Pole	17.18 (436.4)	14.25 (362.0)	12.87 (326.9)	9.74 (247.4)	11.06 (280.9)	8.66 (220.0)	7.75 (196.9)	13.58 (345.0)	1.51 (38.4)	9.84 (250.0)	4.92 (125.0)	7.48 (190.0)



### Technical Characteristics

**Table 15. UL 508 Technical Characteristics**

Description	M-Frame			R-Frame		W-Frame			
	Catalog Number			Catalog Number		Catalog Number			
	C362NM16	C362NM20	C362NM25	C362NR30	C362NR40	C362NW60	C362NW80	C362NW100	C362NW125
Ampere Rating (3 Poles)	16	20	25	30	40	60	80	100	125
UL Approval	UL508/cUL	UL508/cUL	UL508/cUL	UL508/cUL	UL508/cUL	UL508/cUL	UL508/cUL	UL508/cUL	UL508/cUL
Short Circuit Rating (kA)	5	5	5	10	10	10	10	10	10
Fuse Type	RK5	RK5	RK5	RK5	RK5	RK5	RK5	RK5	RK5
Fuse Rating (Amperes)	30	30	30	80	80	150	150	150	150
Maximum UL Horsepower Ratings (3-Phase)	220 – 240V AC	2	3	5	7.5	10	15	20	25
	440 – 480V AC	7.5	7.5	10	15	20	30	40	50
	600V AC	7.5	10	15	25	30	40	50	60
Maximum UL Horsepower Ratings (1-Phase)	120V AC	0.5	1	1.5	2	2	3	5	5
	240V AC	1.5	2	3	5	5	10	15	15
Electrical Endurance	(Operation Cycles)	6000	6000	6000	6000	6000	6000	6000	6000
Mechanical Endurance	(Operation Cycles)	6000	6000	6000	6000	6000	6000	6000	6000
Terminal Lugs	Wire Size	#6 – #10	#6 – #10	#6 – #10	#14 – #8	#14 – #8	#14 – #3	#14 – #3	#14 – #3
	Wire Type	Cu	Cu	Cu	Cu	Cu	Cu	Cu	Cu
Weight in Lbs. (kg)	.32 (.15)	.32 (.15)	.32 (.15)	.44 (.20)	.44 (.20)	.66 (.30)	.66 (.30)	.66 (.30)	.66 (.30)

**Table 16. IEC Technical Characteristics**

Description	M-Frame			R-Frame		W-Frame			
	Catalog Number			Catalog Number		Catalog Number			
	C362NM16	C362NM20	C362NM25	C362NR30	C362NR40	C362NW60	C362NW80	C362NW100	C362NW125
Thermal Current I <sub>th</sub> (40°C) (Amperes)	16	20	25	32	40	63	80	100	125
Rated Insulation Voltage U <sub>i</sub> (V)	800	800	800	690	690	690	690	690	690
Rated Impulse Withstand U <sub>imp</sub> (kV)	8	9	8	8	8	8	8	8	8
Operational Current (Amperes)	3 Poles	3 Poles	3 Poles	3 Poles	3 Poles	3 Poles	3 Poles	3 Poles	3 Poles
400V AC – AC 22A – AC 23A	16	20	25	32	40	63	80	80	80
	16	20	25	25	25	63	63	63	63
500V AC – AC 22A – AC 23A	16	20	25	32	40	63	80	80	80
	16	16	20	25	25	45	45	45	45
690V AC – AC 22A – AC 23A	16	20	25	32	40	63	80	80	80
	16	16	20	25	25	40	40	40	40
<b>Motor Power (kW)</b>									
400V AC – AC 23	8	9	11	11	11	25	25	25	25
500V AC – AC 23	9	9	11	15	15	25	25	25	25
690V AC – AC 23	12.5	12.5	15	22	22	25	25	25	25
<b>Overload Capacity</b>									
Short Circuit Current with Fuses (kA rms)	50	50	50	50	50	50	50	50	50
Maximum Rating for Associated Fuses gG (Amperes)	16	20	25	32	40	63	80	80	80
Cutoff Current	5.9	5.9	5.9	5	5	8	8	8	8
Short Time Withstand Current I <sub>cw</sub> 1 s (kA)	1.2	1.2	1.2	1	1	1.5	1.5	1.5	1.5
<b>Withstand</b>									
Mechanical	100,000	100,000	100,000	20,000	20,000	20,000	20,000	20,000	20,000
Electrical (400V AC 23)	1500	1500	1500	1500	1500	1500	1500	1500	1500
<b>Connection</b>									
Cu (mm <sup>2</sup> )	1.5 to 6	1.5 to 6	1.5 to 6	1.5 to 16	1.5 to 16	1.5 to 35	1.5 to 35	1.5 to 35	1.5 to 35

April 2002

Table 17. UL 98 and CSA Technical Characteristics

Description	Frame										
	C	V	V	V	V	S and V	S and F	S and F	S	S	
Ampere Rating (3 Poles)	30	30	60	100	200	400	600	800	1000	1200	
UL Approval	UL 98/cUL	UL 98/cUL	UL 98/cUL	UL 98/cUL	UL 98/cUL	UL 98/cUL	UL 98/cUL	UL 98/cUL	UL 98/cUL	UL 98/cUL	
Short Circuit Rating (kA)	50	100/200	200	200	200	200	200	100	100	100	
Fuse Type (if applicable)	J or CC	CC/J	J	J	J	J	J	L	L	L	
Fuse Rating (Amperes)	30	30	60	100	200	400	600	800	1000	1200	
Maximum UL Horsepower Ratings (3-Phase)	240V AC	7.5/22	7.5/22	15/42	30/80	60/154	125/312	200/480	250/602	250/602	250/602
	480V AC	15/21	15/21	30/40	60/77	125/156	250/302	400/477	500/590	500/590	500/590
	600V AC	20/22	20/22	50/52	75/77	150/144	350/336	350/336	500/472	500/472	500/472
	DC 125V	3/25 <sup>①</sup>	3/25	3/25 <sup>①</sup>	7.5/58 <sup>①</sup>	15/112 <sup>①</sup>	20/148 <sup>①</sup>	20/148 <sup>①</sup>	—	—	—
	DC 250V	5/20 <sup>①</sup>	5/20	10/38 <sup>②</sup>	20/72 <sup>②</sup>	40/140 <sup>②</sup>	50/173 <sup>②</sup>	50/173 <sup>②</sup>	—	—	—
Electrical Endurance	(Operation Cycles)	6000	6000	6000	6000	6000	1000	1000	500	500	500
Mechanical Endurance	(Operation Cycles)	10,000	10,000	10,000	10,000	8000	6000	6000	3500	3500	3500
Shaft Size Square	Inches (mm)	.2 x .2 (5 x 5)	.4 x .4 (10 x 10)	.4 x .4 (10 x 10)	.4 x .4 (10 x 10)	.4 x .4 (10 x 10)	.59 x .59 (15 x 15)/ .4 x .4 (10 x 10) <sup>③</sup>	.59 x .59 (15 x 15)	.59 x .59 (15 x 15)	.59 x .59 (15 x 15)	.59 x .59 (15 x 15)
Switch Operating Torque	16-inch (406.4 mm)	21	88	88	88	88	320/132	350	350	350	350
Terminal Lugs	Wire Size	#10 – #14	#10 – #14	#3 – #10	#2/0 – #10	3/0 – #6	2 x 2	2 x 2	2 x 2	2 x 2	2 x 2
	Wire Type	Cu	Cu	Cu	Cu	Cu	Cu	Cu	Cu	Cu	Cu
Weight in Lbs. (kg)		1.1 (.50)	1.1 (.50)	2.0 (.91)	2.5 (1.1)	4.4 (2.0)	8.8 (4.0)	9.9 (4.5)	22.0 (10.0)	28.6 (13.0)	30.8 (14.0)

① 2-pole in series.

② 3-pole in series.

③ 15 x 15 shaft for Non-Fusible and 10 x 10 shaft for Fusible, 400A.



---

*Notes*

## Company Information

**Eaton's Cutler-Hammer business is a worldwide leader providing customer-driven solutions. From power distribution and electrical control products to industrial automation, the Cutler-Hammer business utilizes advanced product development, world-class manufacturing, and offers global engineering services and support. To learn more about Eaton's innovative Cutler-Hammer products and solutions call 1-800-525-2000, for engineering services call 1-800-498-2678, or visit [www.cutler-hammer.eaton.com](http://www.cutler-hammer.eaton.com).**

**Eaton is a global \$7.3 billion diversified industrial manufacturer that is a leader in fluid power systems; electrical power quality, distribution and control; automotive engine air management and fuel economy; and intelligent truck systems for fuel economy and safety. Eaton has 49,000 employees and sells products in more than 50 countries. For more information, visit [www.eaton.com](http://www.eaton.com).**

Eaton Corporation  
Cutler-Hammer business unit  
1000 Cherrington Parkway  
Moon Township, PA 15108  
United States  
tel: 1-800-525-2000  
[www.cutler-hammer.eaton.com](http://www.cutler-hammer.eaton.com)

**EAT•N**

**Cutler-Hammer**

© 2002 Eaton Corporation  
All Rights Reserved  
Printed in USA  
Publication No. PG00802001E  
April 2002